

Threaded fittings



Festo core product range
Covers 80% of your automation tasks

Worldwide:

Always in stock

Superb:

Festo quality at an attractive price

Easy:

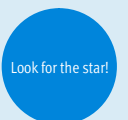
Reduces procurement and storing complexity



Ready for dispatch from the Festo factory in 24 hours
Held in stock in 13 service centres worldwide
More than 2200 products







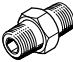

Ready for dispatch in 5 days maximum from stock
Assembled for you in 4 service centres worldwide
Up to 6×10^{12} variants per product series



Threaded fittings

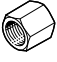
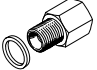



Product range overview

FESTO

Design	Version	Type	Connection D1			Connection D2			→ Page/ Internet	
			M thread	G thread	R thread	M thread	G thread	R thread		
Straight type	Blanking plug									
		B	M3	-	-	-	-	-	4	
			M5							
			M7							
			-							G1/8
										G1/4
										G3/8
										G1/2
			G3/4							
			G1							
	Reducing nipple – Male thread/female thread									
		D	M5	-	-	M7	-	-	6	
		D	M3	-	-	M5	-	-	7	
			M5							
			M7							
	-		G1/8							
			G1/4							
			G3/8							
			G1/2							
		G3/4								
			G1/8, G1/4							
			G1/8							
			G1/4, G3/8							
			G3/8, G1/2, G3/4							
			G1/2, G3/4							
			G3/4, G1							
			G1							
Double nipple										
	E	M3	-	-	M3	-	-	8		
		M5								
		M7								
		-							G1/8	
									G1/4	
									G3/8	
									G1/2	
		G3/4								
			G1/8							
			G1/8, G1/4, G3/8							
			G1/4, G3/8, G1/2							
			G3/8, G1/2							
			G1/2, G3/4							
			G3/4							
	ESK	-	-	R1/8	-	-	R1/8, R1/4, R3/8	9		
				R1/4			R1/4, R3/8, R1/2			
				R3/8			R3/8, R1/2			
				R1/2			R1/2			
Bulkhead fitting										
	SCM	M5	-	-	-	-	-	9		
		-							G1/8	
									G1/4	
									G3/8	
									G1/2	

Threaded fittings

Product range overview

Design	Version	Type	Connection D1			Connection D2			→ Page/ Internet
			M thread	G thread	R thread	M thread	G thread	R thread	
Straight type	Sleeve								
		QM	M5	–	–	–	–	–	10
			–	G1/8					
				G1/4					
				G3/8					
				G1/2					
				G3/4					
		G1							
		QM	M5	–	–	M5	–	–	10
			–	G1/8					
			G1/4	G1/4					
			G3/8	G3/8					
			G1/2	G1/2					
Reducing sleeve									
	QMR	–	G1/8	–	M5	–	–	11	
			G1/4			G1/8			
			G3/8			G1/4			
			G1/2			G3/8			
L-shape	Elbow fitting								
		LJK	–	G1/8	–	–	–	–	12
				G1/4					
				G3/8					
				G1/2					
T-type	T-fitting								
		TJK	M3	–	–	–	–	–	12
			–	G1/8					
				G1/4					
				G3/8					
	G1/2								

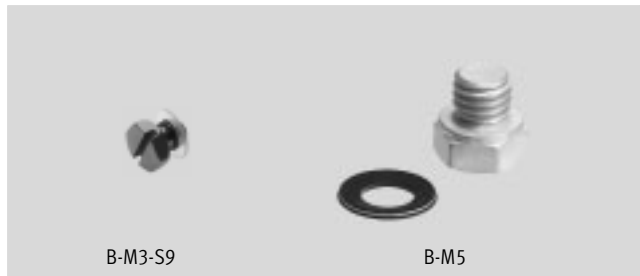
Threaded fittings

Technical data

FESTO

Blanking plug B

with external hex and sealing ring



General technical data		
Pneumatic connection	Male thread	
	M3	M5
Type of mounting	External hex AF 4.5 and slot 0.8 mm	External hex AF 7
Nominal tightening torque [Nm]	0.48 ±55%	1.33 ±20%

Materials		
Pneumatic connection	Male thread	
	M3	M5
Blanking plug	High-alloy stainless steel	Anodised aluminium
O-ring	Stainless steel, NBR	
Note on materials	RoHS compliant	
	Free of copper and PTFE	

Dimensions		Download CAD data → www.festo.com
B-M3-S9	B-M5	

Dimensions and ordering data							
Pneumatic connection	L1	L2	$\varnothing C1$	Weight/ piece [g]	Part No.	Type	PU ¹⁾
D1							
M thread							
Male thread M3	5.3	2.8	4.5	1	★ 30979	B-M3-S9	10
Male thread M5	7.8	3.8	7	1	★ 3843	B-M5	10
					534212	B-M5-100	100

1) Packaging unit quantity

Festo core product range

- ★ Ready for dispatch from the Festo factory in 24 hours
- ☆ Ready for dispatch in 5 days maximum from stock

Threaded fittings

Technical data

FESTO

Blanking plug B

with internal hex and sealing ring

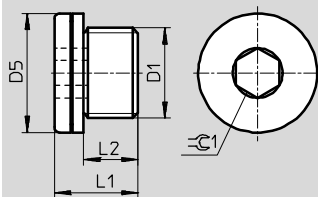


General technical data									
Pneumatic connection	Male thread								
	M5	M7	G $\frac{1}{8}$	G $\frac{1}{4}$	G $\frac{3}{8}$	G $\frac{1}{2}$	G $\frac{3}{4}$	G1	
Type of mounting	Internal hex AF 2.5	Internal hex AF 3	Internal hex AF 5	Internal hex AF 6	Internal hex AF 8	Internal hex AF 10	Internal hex AF 12	Internal hex AF 17	
Conforms to standard	-		DIN 908						
Nominal tightening torque [Nm]	1.33 ±20%	3.35 ±20%	3.5 ±20%	11 ±10%	12.5 ±20%	14 ±20%	35 ±10%	62.5 ±20%	

Materials									
Pneumatic connection	Male thread								
	M5	M7	G $\frac{1}{8}$	G $\frac{1}{4}$	G $\frac{3}{8}$	G $\frac{1}{2}$	G $\frac{3}{4}$	G1	
Blanking plug	Galvanised steel								
O-ring	Stainless steel, NBR		PA, TPE-U(PUR)					PVC	
Note on materials	RoHS compliant								
	Free of copper and PTFE								

Dimensions

Download CAD data → www.festo.com



Dimensions and ordering data									
Pneumatic connection	D5	L1	L2	≈C1	Weight/ piece [g]	Part No.	Type	PU ¹⁾	
D1	∅								
M thread									
Male thread M5	8	6.3	3.8	2.5	1	★ 174308	B-M5-B	10	
Male thread M7	9.5	7.8	5.3	3	2	★ 174309	B-M7	10	
G thread									
Male thread G $\frac{1}{8}$	14	11	6.4	5	7	★ 3568	B- $\frac{1}{8}$	10	
						534213	B- $\frac{1}{8}$ -100	100	
Male thread G $\frac{1}{4}$	18	15	9.8	6	15	★ 3569	B- $\frac{1}{4}$	10	
						534214	B- $\frac{1}{4}$ -50	50	
Male thread G $\frac{3}{8}$	22	15	9.8	8	23	★ 3570	B- $\frac{3}{8}$	10	
						534215	B- $\frac{3}{8}$ -20	20	
Male thread G $\frac{1}{2}$	26	18	11.65	10	43	★ 3571	B- $\frac{1}{2}$	10	
						534216	B- $\frac{1}{2}$ -20	20	
Male thread G $\frac{3}{4}$	32	20	13.05	12	76	★ 3572	B- $\frac{3}{4}$	10	
Male thread G1	39	21	14	17	123	★ 5763	B-1	10	

1) Packaging unit quantity

Festo core product range

- ★ Ready for dispatch from the Festo factory in 24 hours
- ☆ Ready for dispatch in 5 days maximum from stock

- 7 - Type discontinued
Available up until 2018

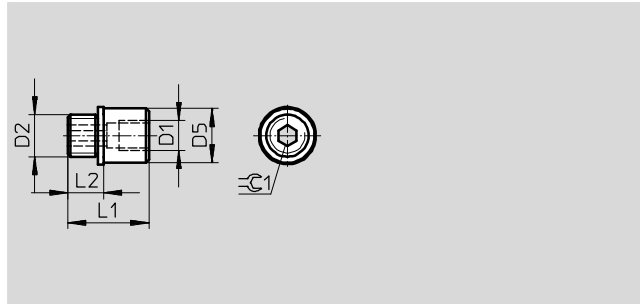
Threaded fittings

Technical data

FESTO


Reducing nipple D
with sealing ring

Material:
Brass



Pneumatic connection		D5	L1	L2	⌀ 1	Weight/ piece [g]	Part No.	Type	PU ¹⁾
D1	D2								
M5	M7	9	13.3	5.3	3	43	161359	D-M5I-M7A-ISK	10

1) Packaging unit quantity

 Type discontinued
Available up until 2018

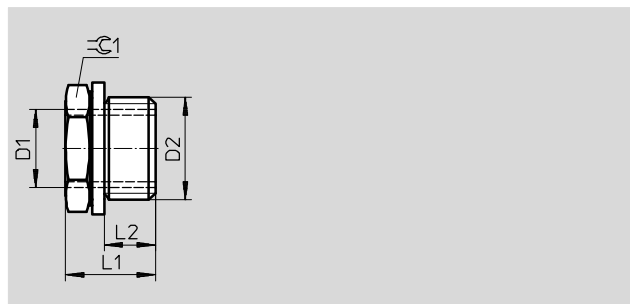
FESTO

Threaded fittings

Technical data

Reducing nipple D
with sealing ring

Note on materials:
RoHS-compliant



Dimensions and ordering data								
Pneumatic connection		L1	L2	$\varnothing 1$	Weight/ piece [g]	Part No.	Type	PU ¹⁾
D1	D2							
M thread – High-alloy stainless steel								
M3	M5	6.3	3.8	7	1	30980	D-M3I-M5A-S9²⁾	10
M thread – Brass								
M5	G $\frac{1}{8}$	9.5	4.9	13	10	3842	D-M5I-$\frac{1}{8}$A	10
						534208	D-M5I-$\frac{1}{8}$A-100	100
	G $\frac{1}{4}$	12	5.8	17	12	197632	D-M5I-$\frac{1}{4}$A	10
M7	G $\frac{1}{8}$	9.5	4.9	13	–	534144	D-M7I-$\frac{1}{8}$A	10
G thread – Brass								
G $\frac{1}{8}$	G $\frac{1}{4}$	12	5.8	17	8	3577	D-$\frac{1}{8}$I-$\frac{1}{4}$A	10
						534209	D-$\frac{1}{8}$I-$\frac{1}{4}$A-100	100
	G $\frac{3}{8}$	14	6.8	19	–	534147	D-$\frac{1}{8}$I-$\frac{3}{8}$A	10
G $\frac{1}{4}$	G $\frac{3}{8}$	14	6.8	19	14	3581	D-$\frac{1}{4}$I-$\frac{3}{8}$A	10
						534210	D-$\frac{1}{4}$I-$\frac{3}{8}$A-50	50
	G $\frac{1}{2}$	15.5	8.15	24	36	197633	D-$\frac{1}{4}$I-$\frac{1}{2}$A	10
	G $\frac{3}{4}$	20.4	9.05	32	–	534145	D-$\frac{1}{4}$I-$\frac{3}{4}$A	10
G $\frac{3}{8}$	G $\frac{1}{2}$	15.5	8.15	24	25	3585	D-$\frac{3}{8}$I-$\frac{1}{2}$A	10
						534211	D-$\frac{3}{8}$I-$\frac{1}{2}$A-20	20
	G $\frac{3}{4}$	20.4	9.05	32	–	534146	D-$\frac{3}{8}$I-$\frac{3}{4}$A	10
G $\frac{1}{2}$	G $\frac{3}{4}$	20.4	9.05	32	45	3588	D-$\frac{1}{2}$I-$\frac{3}{4}$A	1
	G1	21	11	36	110	197634	D-$\frac{1}{2}$I-1A	1
G $\frac{3}{4}$	G1	21	11	36	55	9168	D-$\frac{3}{4}$I-1A	1
G thread – Wrought aluminium alloy								
G $\frac{1}{8}$	G $\frac{1}{4}$	12	5.8	17	7	183585	D-$\frac{1}{8}$I-$\frac{1}{4}$A-AL	1
G $\frac{1}{4}$	G $\frac{3}{8}$	14	6.8	19	8	183586	D-$\frac{1}{4}$I-$\frac{3}{8}$A-AL	1
G $\frac{3}{8}$	G $\frac{1}{2}$	15.5	8.15	24	10	183587	D-$\frac{3}{8}$I-$\frac{1}{2}$A-AL	1
G $\frac{1}{2}$	G $\frac{3}{4}$	20.4	9.05	32	24	183588	D-$\frac{1}{2}$I-$\frac{3}{4}$A-AL	1
G $\frac{3}{4}$	G1	21	11	36	26	183589	D-$\frac{3}{4}$I-1A-AL	1

- 1) Packaging unit quantity
2) Free of copper and PTFE

- 1 - Type discontinued
Available up until 2018

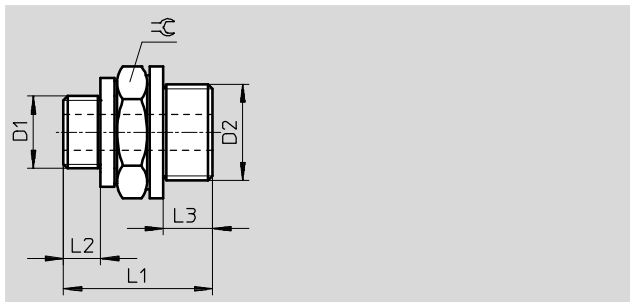
Threaded fittings

Technical data

FESTO

Double nipple E
with 2 sealing rings

Note on materials:
RoHS-compliant



Dimensions and ordering data										
Pneumatic connection		Nominal size	L1	L2	L3	≈	Weight/ piece [g]	Part No.	Type	PU ¹⁾
D1	D2									
M thread – High-alloy stainless steel										
M3	M3	1.7	10	2.8	2.8	4.5	1	30987	E-M3-M3-S9 ²⁾ 3)	10
M thread – Steel										
M5	M5	2.5	12.6	3.8	3.8	7	2	4139	E-M5-M5 ³⁾	10
	G ¹ / ₈	2.5	15.3	3.8	4.9	13	1	4138	E-M5- ¹ / ₈ ³⁾	10
								534204	E-M5- ¹ / ₈ -100 ³⁾	100
G thread – Wrought aluminium alloy										
G ¹ / ₈	G ¹ / ₈	4.5	17	4.9	4.9	13	1	3573	E- ¹ / ₈ - ¹ / ₈ ³⁾	10
	G ¹ / ₄	4.5	19.5	4.9	5.8	17	1	3574	E- ¹ / ₈ - ¹ / ₄ ³⁾	10
								534205	E- ¹ / ₈ - ¹ / ₄ -100 ³⁾	100
G ¹ / ₄	G ¹ / ₄	6.5	21	5.8	5.8	17	1	3575	E- ¹ / ₄ - ¹ / ₄ ³⁾	10
	G ³ / ₈	6.5	22	5.8	6.8	19	10	3576	E- ¹ / ₄ - ³ / ₈ ³⁾	10
								534206	E- ¹ / ₄ - ³ / ₈ -50 ³⁾	50
G ³ / ₈	G ³ / ₈	9.0	23	6.8	6.8	19	10	3578	E- ³ / ₈ - ³ / ₈ ³⁾	10
	G ¹ / ₂	9.0	26.5	6.8	8.15	24	20	3579	E- ³ / ₈ - ¹ / ₂ ³⁾	1
								534207	E- ³ / ₈ - ¹ / ₂ -20 ³⁾	20
G ¹ / ₂	G ¹ / ₂	13.0	28	8.15	8.15	24	20	3580	E- ¹ / ₂ - ¹ / ₂ ³⁾	1
	G ³ / ₄	13.0	30.5	8.5	9.05	32	35	3582	E- ¹ / ₂ - ³ / ₄ ³⁾	1
G ³ / ₄	G ³ / ₄	18.0	32	9.5	9.05	32	30	3584	E- ³ / ₄ - ³ / ₄ ³⁾	1
M thread – Brass										
M7	G ¹ / ₈	4.5	17.7	5.3	4.9	13		534148	E-M7- ¹ / ₈ -MS	10
G thread – Brass										
G ¹ / ₈	G ¹ / ₈	4.5	17	4.9	4.9	13	10	15621	E- ¹ / ₈ - ¹ / ₈ -MS	10
	G ¹ / ₄	4.5	19.5	4.9	5.8	17	20	15622	E- ¹ / ₈ - ¹ / ₄ -MS	10
	G ³ / ₈	5.3	20.4	4.9	6.8	19	25	534150	E- ¹ / ₈ - ³ / ₈ -MS	10
G ¹ / ₄	G ¹ / ₄	6.5	21	5.8	5.8	17	20	15623	E- ¹ / ₄ - ¹ / ₄ -MS	10
	G ³ / ₈	6.5	22	5.8	6.8	19	30	15624	E- ¹ / ₄ - ³ / ₈ -MS	10
	G ¹ / ₂	8	25.5	5.8	8.15	24	30	534149	E- ¹ / ₄ - ¹ / ₂ -MS	10
G ³ / ₈	G ³ / ₈	9	23	6.8	6.8	19	30	15625	E- ³ / ₈ - ³ / ₈ -MS	10
	G ¹ / ₂	9	26.5	6.8	8.15	24	53	15626	E- ³ / ₈ - ¹ / ₂ -MS	1
G ¹ / ₂	G ¹ / ₂	13	28	8.15	8.15	24	52	15627	E- ¹ / ₂ - ¹ / ₂ -MS	1
	G ³ / ₄	13	30.5	8.15	9.05	32	100	15628	E- ¹ / ₂ - ³ / ₄ -MS	1
G ³ / ₄	G ³ / ₄	18	32	9.05	9.05	32	100	15629	E- ³ / ₄ - ³ / ₄ -MS	1

1) Packaging unit quantity
2) Corrosion and acid resistant version
3) Free of copper and PTFE

- Type discontinued
Available up until 2018

FESTO

Threaded fittings

Technical data

Double nipple ESK

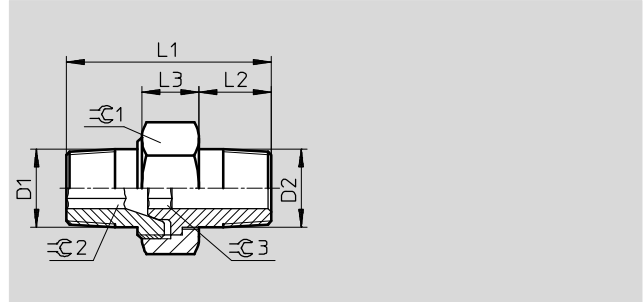
adjustable for angular compensation

Material:

Brass

Note on materials:

RoHS-compliant



Dimensions and ordering data										
Pneumatic connection		L1	L2	L3	⊖C1	⊖C2	⊖C3	Part No.	Type	PU ¹⁾
D1	D2									
R ¹ / ₈	R ¹ / ₈	27	9	8.5	15	5	5	151520	ESK- ¹ / ₈ - ¹ / ₈	1
	R ¹ / ₄	30.6	12	9.5	19	5	6	534151	ESK- ¹ / ₈ - ¹ / ₄	1
	R ³ / ₈	34.5	13	10	22	5	8	534155	ESK- ¹ / ₈ - ³ / ₈	1
R ¹ / ₄	R ¹ / ₄	34	12	9.5	19	6	6	151521	ESK- ¹ / ₄ - ¹ / ₄	1
	R ³ / ₈	36	13	10	22	6	8	534152	ESK- ¹ / ₄ - ³ / ₈	1
	R ¹ / ₂	40.5	16	12	27	6	12	534153	ESK- ¹ / ₄ - ¹ / ₂	1
R ³ / ₈	R ³ / ₈	36	13	10	22	8	8	151522	ESK- ³ / ₈ - ³ / ₈	1
	R ¹ / ₂	44	16	12	27	8	12	534154	ESK- ³ / ₈ - ¹ / ₂	1
R ¹ / ₂	R ¹ / ₂	44	16	12	27	12	12	151523	ESK- ¹ / ₂ - ¹ / ₂	1

1) Packaging unit quantity

Bulkhead fitting SCM

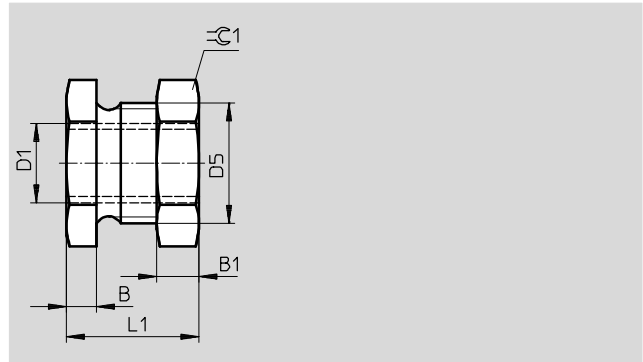
Material:

Anodised wrought aluminium alloy

Note on materials:

RoHS-compliant

Free of copper and PTFE



Dimensions and ordering data										
Pneumatic connection		B	B1	D5	L1	⊖C1	Weight/ piece [g]	Part No.	Type	PU ¹⁾
D1										
M5		4	3.5	M10x1	15.5	13	5	9969	SCM-M5	1
G ¹ / ₈		5	5	M14x1.5	20	17	10	9970	SCM- ¹ / ₈	1
G ¹ / ₄		5	7	M20x1.5	22	24	28	9971	SCM- ¹ / ₄	1
G ³ / ₈		8	8.5	M24x1.5	26.5	27	34	9972	SCM- ³ / ₈	1
G ¹ / ₂		8	10.5	M30x1.5	28.5	36	78	9973	SCM- ¹ / ₂	1

1) Packaging unit quantity

- 1 - Type discontinued
Available up until 2018

Threaded fittings

Technical data

FESTO

Pipe coupling sleeve QM

Material:

Blue anodised aluminium

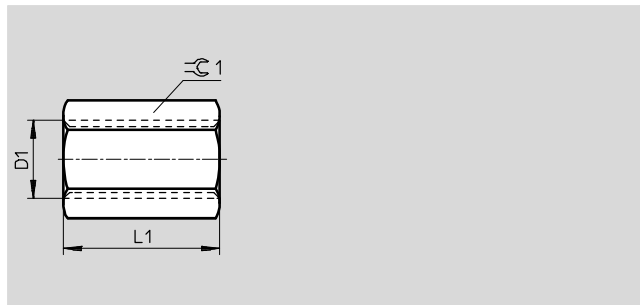
QM-M5-M5:

Steel

Note on materials:

Free of copper and PTFE

RoHS-compliant



Dimensions and ordering data

Pneumatic connection	L1	≈C 1	Weight/ piece [g]	Part No.	Type	PU ¹⁾
D1						
M5	12	7	1	3560	QM-M5-M5	10
G ¹ / ₈	22	13	6	2254	QM- ¹ / ₈ - ¹ / ₈	10
G ¹ / ₄	26	17	9	2255	QM- ¹ / ₄ - ¹ / ₄	10
G ³ / ₈	32	22	19	2256	QM- ³ / ₈ - ³ / ₈	10
G ¹ / ₂	36	27	31	2257	QM- ¹ / ₂ - ¹ / ₂	1
G ³ / ₄	36	32	36	4226	QM- ³ / ₄ - ³ / ₄	1
G1	40	41	80	9968	QM-1-1	1

1) Packaging unit quantity

Pipe coupling sleeve QM

with sealing ring

Material:

Anodised wrought aluminium alloy

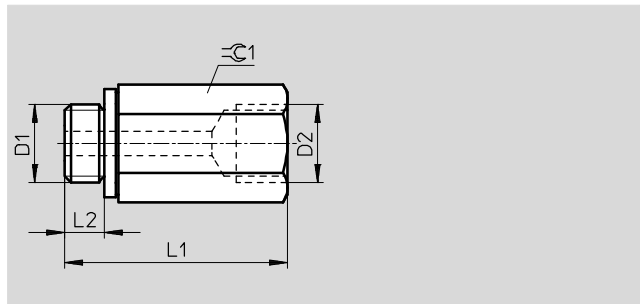
QM-M5-A/I:

Steel

Note on materials:

RoHS-compliant


Free of copper and PTFE



Dimensions and ordering data

Pneumatic connection		L1	L2	≈C 1	Weight/ piece [g]	Part No.	Type	PU ¹⁾
D1	D2							
M5	M5	18.5	3.8	7	4	36169	QM-M5-A/I	10
G ¹ / ₈	G ¹ / ₈	25.6	4.9	13	7	36170	QM- ¹ / ₈ -A/I	10
G ¹ / ₄	G ¹ / ₄	36	5.8	17	15	36171	QM- ¹ / ₄ -A/I	10
G ³ / ₈	G ³ / ₈	37.8	6.8	19	16	36172	QM- ³ / ₈ -A/I	10
G ¹ / ₂	G ¹ / ₂	49	8.15	24	36	187387	QM- ¹ / ₂ -A/I	1

1) Packaging unit quantity

-  - Type discontinued
Available up until 2018

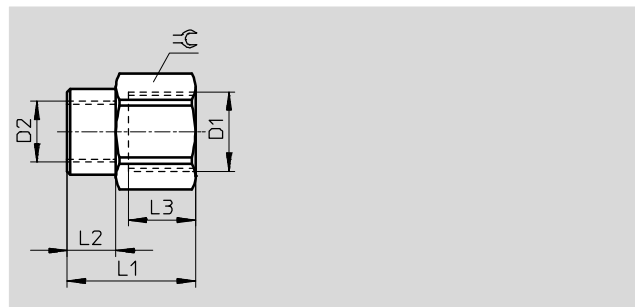
FESTO


Threaded fittings

Technical data

Reducing sleeve QMR

Material:
Nickel plated brass



Dimensions and ordering data										
Pneumatic connection		Nominal size	L1	L2	L3		Weight/ piece [g]	Part No.	Type	PU ¹⁾
D1	D2	[mm]								
M thread										
G ¹ / ₈	M5	2.6	17	7	7	14	12	153281	QMR- ¹ / ₈ -M5-B	10
G thread										
G ¹ / ₄	G ¹ / ₈	5.3	21	8	9	17	22	153282	QMR- ¹ / ₄ - ¹ / ₈ -B	10
G ³ / ₈	G ¹ / ₄	6.9	25	11	11	21	34	153283	QMR- ³ / ₈ - ¹ / ₄ -B	10
G ¹ / ₂	G ³ / ₈	10.7	33	14	14	24	55	153284	QMR- ¹ / ₂ - ³ / ₈ -B	1

1) Packaging unit quantity

Threaded fittings

Technical data

FESTO

Elbow fitting LJK

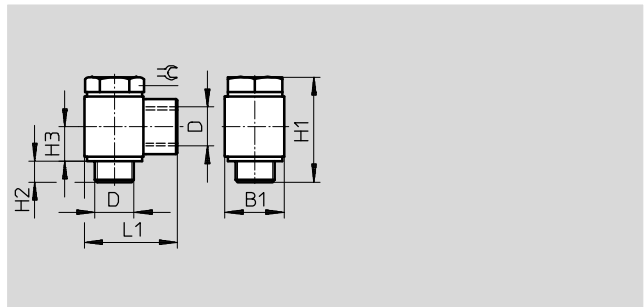
Material:

Housing: Die-cast zinc

Hollow bolt: Anodised aluminium

Note on materials:

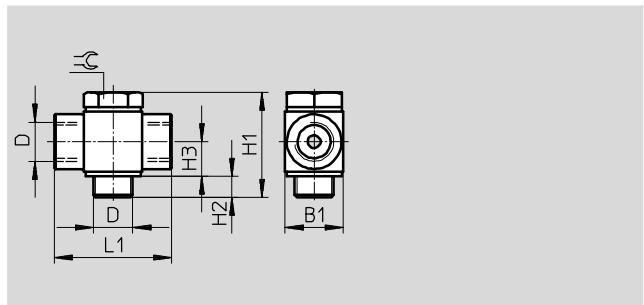
RoHS-compliant



Dimensions and ordering data										
Pneumatic connection D	Nominal size [mm]	B1	H1	H2	H3	L1	⌀	Part No.	Type	PU ¹⁾
G ¹ / ₈	4	16	27.1	4.7	9.2	23.5	13	4945	LJK-¹/₈	1
G ¹ / ₄	6	20	34.3	5.7	11.8	31	17	4946	LJK-¹/₄	1
G ³ / ₈	8	25	41.3	6.7	14.3	36.5	22	4947	LJK-³/₈	1
G ¹ / ₂	12	30	46.6	7.5	17.05	44	27	4948	LJK-¹/₂	1

1) Packaging unit quantity

T-fitting TJK



Operating and environmental conditions	
Operating medium	Compressed air in accordance with ISO 8573-1:2010 [7:-:-]
Note on operating/pilot medium	Operation with lubricated medium possible (in which case lubricated operation will always be required)

Materials					
Pneumatic connection	M3	G ¹ / ₈	G ¹ / ₄	G ³ / ₈	G ¹ / ₂
Housing	Nickel-plated brass	Die-cast zinc			
Hollow bolt	Nickel-plated brass	Anodised aluminium			
Note on materials	RoHS-compliant				

Dimensions and ordering data										
Pneumatic connection D	Nominal size [mm]	B1	H1	H2	H3	L1	⌀	Part No.	Type	PU ¹⁾
M thread										
M3	1.2	5	10	2	3.3	10	4.5	15874	TJK-M3	10
G thread										
G ¹ / ₈	4	16	27.1	4.7	9.2	28	13	4949	TJK-¹/₈	10
G ¹ / ₄	6	20	34.3	5.7	11.8	39	17	4950	TJK-¹/₄	10
G ³ / ₈	8	25	41.3	6.7	14.3	43	22	4951	TJK-³/₈	1
G ¹ / ₂	12	30	46.6	7.5	17.05	52	27	4952	TJK-¹/₂	1

1) Packaging unit quantity