

AEL/BEL Series Air Preparation Unit

AEL/BEL Lubricator



How to Order?

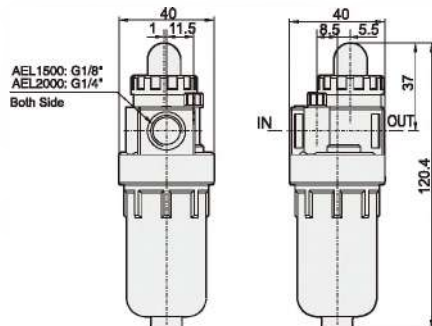
Series No.	Type Code	Body Size	Bracket Code	Thread Type
AE: Small body size without bowl guard BE: Larger body size with bowl guard	L: Lubricator	1500: 1/8" 2000: 1/4" 3000: 3/8" 4000: 1/2"	Blank: With bracket J: No bracket	Blank: G P: PT T: NPT

Order Example:

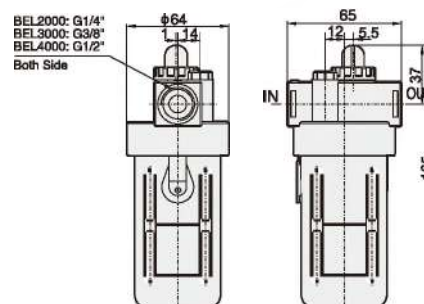
AE series Lubricator, 1/4" body size, with bracket, PT thread, ERP code is: AEL 2000-P

Main Dimension

AEL1500/2000



BEL2000-4000



Specifications

Model	AEL1500	AEL2000	BEL2000	BEL3000	BEL4000
Working medium	air				
Port size	G1/8	G1/4	G1/4	G3/8	G1/2
Guaranteed pressure resistance(MPa)	1.5				
Working temperature(°C)	5-80				
Lubricator bowl capacity	25CC		90CC		
Recommend oil	ISO VG32 or equivalent oil				
Weight (g)	170g		250g		