

AEF/BEF Series Air Preparation Unit

AEF/BEF Filter



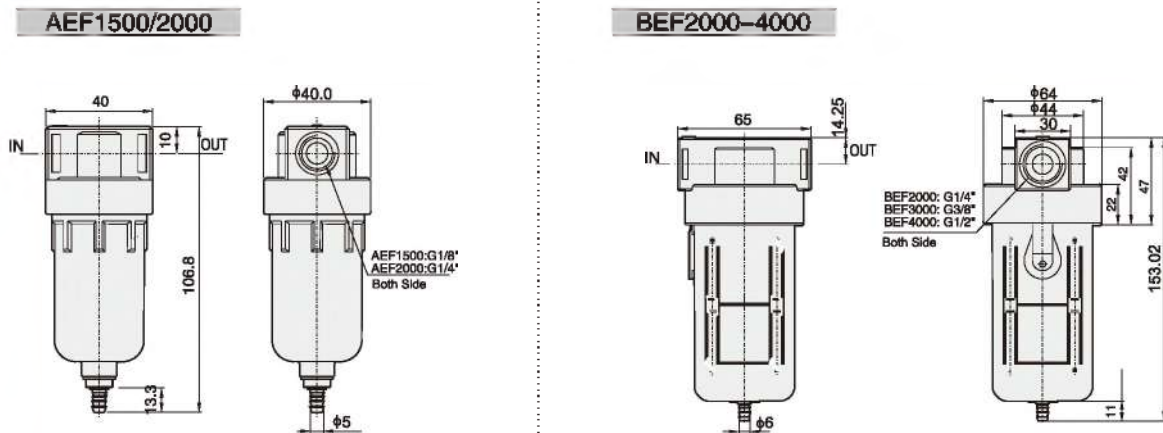
How to Order?

Series No.	Type Code	Body Size	Bracket Code	Thread Type
AE: Small body size without bowl guard	F: Filter	1500: 1/8"	Blank: With bracket	Blank: G
BE: Larger body size with bowl guard		2000: 1/4"	J: No bracket	P: PT
		3000: 3/8"		T: NPT
		4000: 1/2"		

Order Example:

AE series filter, 1/4" body size, with bracket, PT thread, ERP code is: AEF2000-P

Main Dimension



Specifications

Model	AEF1500	AEF2000	BEF2000	BEF3000	BEF4000
Working medium	air				
Port size	G1/8	G1/4	G1/4	G3/8	G1/2
Filter precision	40 μ m (5, 50 μ m is optional)				
Working pressure (MPa)	0.16-1.0				
Guaranteed pressure (MPa)	1.5				
Working temperature (°C)	6-80				
Filter bowl capacity (CC)	15			60	
Weight (g)	140			330	