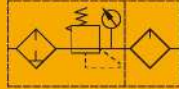


# AEFC/BEFC Series Air Preparation Unit

## AEFC/BEFC

FR.L



### How to Order?

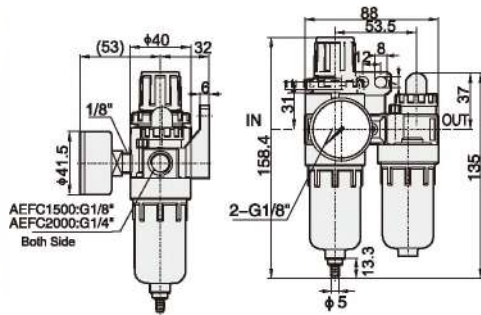
Series No.	Type Code	Body Size	Pressure Gauge Code	Bracket Code	Scale Unit	Thread Type
AE: Small body size without bowl guard BE: Larger body size with bowl guard	FC: Filter & Regulator +lubricator	1500: 1/8" 2000: 1/4" 3000: 3/8" 4000: 1/2"	Blank: With pressure gauge N: Without pressure gauge	Blank: With bracket J: Without bracket	4: Mpa/Psi (Default) 5: Bar/Psi	Blank: G P: PT T: NPT

#### Order Example:

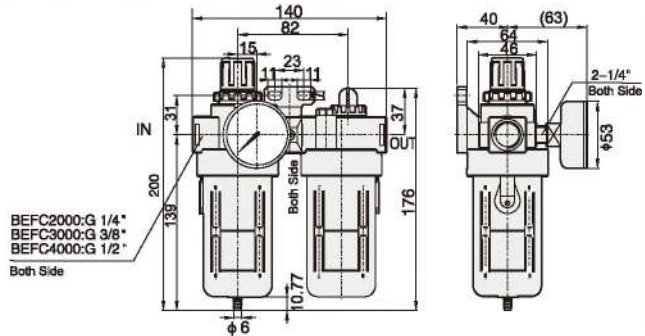
AE series two units, 1/4" body size, Mpa/Psi pressure scale unit, PT thread, ERF code is: AEFC2000-4-P

### Main Dimension

AEFC1500/2000



BEFC2000-4000



### Specifications

Model	AEFC1500	AEFC2000	BEFC2000	BEFC3000	BEFC4000	
Working medium	air					
Port size	G1/8	G1/4	G1/4	G3/8	G1/2	
Filter precision	40 μm (5, 40 μm is optional)					
Adjusting pressure range (MPa)	0.15-0.85					
Max. adjusting pressure (MPa)	1.0					
Guaranteed pressure (MPa)	1.5					
Working temperature (°C)	5-60					
Filter bowl capacity (CC)	15		60			
Lubricator bowl capacity (CC)	25		90			
Recommend oil	ISO VG32 or equivalent oil					
Weight (g)	500			700		
Components	Filter, Regulator	AEFR1500	AEFR2000	BEFR2000	BEFR3000	BEFR4000
	Lubricator	AEL1500	AEL2000	BEL2000	BEL3000	BEL4000