

# Manually Actuated Micro Valves

3/2 - 3 Way, 2 Position Valves, Directly Actuated, Barbed Fittings for PU - 1/8 or 3 mm Tubing

## Micro Valves

Spring Return

Type S-3-PK-3-B



Type SO-3-PK-3-B



The external dimensions of these valves meet the specifications of DIN 41635 form A.

The switching point is pressure-dependent and varies up to 0.03 in / 0.8 mm in the pressure range from 0 to 120 psi / 0 to 8 bar.

The maximum by which the switching point may be exceeded is 0.02 in / 0.5 mm.

The valve should not be used as a fixed stop.

The valve can only be actuated at right angles to the axis of the stem. If the angle deviates by  $\pm 5^\circ$ , valve actuators must be used.

**Optional Actuators:**  
(Order separately)

**Push-Button**  
Type AT-06-B

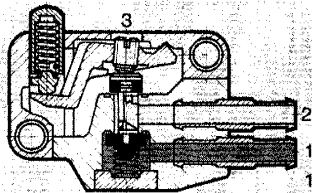


**Toggle Switch**  
Type AH-06-B



Complete with Mounting Screws and Nuts

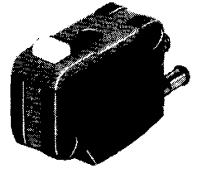
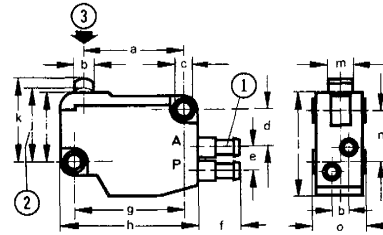
Example: Type S-3-PK-3-B



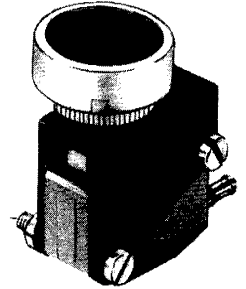
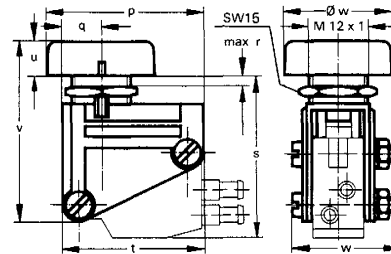
1 (P) = Supply  
2 (A) = Outlet  
3 (R) = Exhaust

Type S-3-PK-3-B

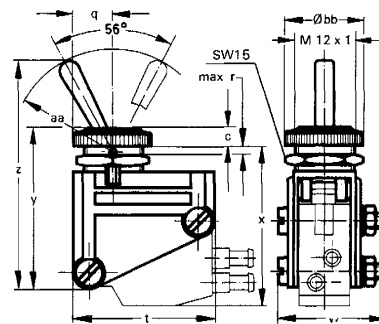
SO-3-PK-3-B



Type AT-06-B



Type AH-06-B



### Dimensions

a	0.80 in / 20.2 mm	l	0.81 in / 20.4 mm
b	0.16 in / 4 mm	m	0.20 in / 5 mm
c	0.14 in / 3.4 mm	n	0.40 in / 10.3 mm
d	0.30 in / 7.5 mm	o	0.42 in / 10.4 mm
e	0.19 in / 4.8 mm	p	1.24 in / 31.6 mm
f	0.33 in / 8.5 mm	q	0.31 in / 8 mm
g	0.89 in / 22.2 mm	r	0.14 in / 3.5 mm
h	1.08 in / 27.8 mm	s	1.28 in / 32.6 mm
i	0.53 in / 13.5 mm	t	1.12 in / 28.6 mm
j	0.57 in / 14.4 mm	u	0.30 in / 7.6 mm
k	0.65 in / 16.5 mm	v	1.44 in / 36.5 mm

- ① Barbed fittings 1/8 in / 3 mm tubing
  - ② Actuation point (min)
  - ③ Direction of actuation
- SW = wrench size, mm

w	0.87 in / 22 mm
x	1.29 in / 32.8 mm
y	1.28 in / 32.5 mm
z	1.81 in / 46 mm
aa	0.82 in / 20.7 mm
bb	0.63 in / 16 mm

Order Number	Valve	7843 S-3-PK-3-B	10403 SO-3-PK-3-B	
	Actuators			10398 AT-06-B    10399 AH-06-B
Medium		Compressed air (filtered, lubricated or unlubricated) or vacuum†		
Mounting		2 through holes in housing		
Connection		Barbed fittings for 3 mm tubing		
Orifice Size		0.07 in / 1.8 mm		
C <sub>v</sub> Factor	(P → A)	0.06 C <sub>v</sub> / 60 l/min		
Pressure Range		28.5 in Hg to 120 psi / -0.95 to +8 bar		
Operating Force at 90 psi / 6 bar Supply*		1.35 lbf / 6N	2.25 lbf / 10 N	
Design		Seat valve, directly actuated, spring return		
Material		Polymer, brass		Polymer
Weight		0.015 lb / 0.007 kg	0.055 lb / 0.025 kg	0.066 lb / 0.030 kg

\* 14 to 140°F / -10 to +60°C

† Vacuum connection at 1 (P)

# Product Range and Company Overview

## A Complete Suite of Automation Services

Our experienced engineers provide complete support at every stage of your development process, including: conceptualization, analysis, engineering, design, assembly, documentation, validation, and production.



**Custom Automation Components**  
Complete custom engineered solutions



**Custom Control Cabinets**  
Comprehensive engineering support and on-site services



**Complete Systems**  
Shipment, stocking and storage services

## The Broadest Range of Automation Components

With a comprehensive line of more than 30,000 automation components, Festo is capable of solving the most complex automation requirements.



**Electromechanical**  
Electromechanical actuators, motors, controllers & drives



**Pneumatics**  
Pneumatic linear and rotary actuators, valves, and air supply



**PLCs and I/O Devices**  
PLC's, operator interfaces, sensors and I/O devices

## Supporting Advanced Automation... As No One Else Can!

Festo is a leading global manufacturer of pneumatic and electromechanical systems, components and controls for industrial automation, with more than 12,000 employees in 56 national headquarters serving more than 180 countries. For more than 80 years, Festo has continuously elevated the state of manufacturing with innovations and optimized motion control solutions that deliver higher performing, more profitable automated manufacturing and processing equipment. Our dedication to the advancement of automation extends beyond technology to the education and development of current and future automation and robotics designers with simulation tools, teaching programs, and on-site services.

## Quality Assurance, ISO 9001 and ISO 14001 Certifications

Festo Corporation is committed to supply all Festo products and services that will meet or exceed our customers' requirements in product quality, delivery, customer service and satisfaction.

To meet this commitment, we strive to ensure a consistent, integrated, and systematic approach to management that will meet or exceed the requirements of the ISO 9001 standard for Quality Management and the ISO 14001 standard for Environmental Management.



© Copyright 2008, Festo Corporation. While every effort is made to ensure that all dimensions and specifications are correct, Festo cannot guarantee that publications are completely free of any error, in particular typing or printing errors. Accordingly, Festo cannot be held responsible for the same. For Liability and Warranty conditions, refer to our "Terms and Conditions of Sale", available from your local Festo office. All rights reserved. No part of this publication may be reproduced, distributed, or transmitted in any form or by any means, electronic, mechanical, photocopying or otherwise, without the prior written permission of Festo. All technical data subject to change according to technical update.



Printed on recycled paper at New Horizon Graphic, Inc., FSC certified as an environmentally friendly printing plant.

# Festo North America

## United States

**Customer Resource Center**  
502 Earth City Expy., Suite 125  
Earth City, MO 63045

For ordering assistance, or to find  
your nearest Festo Distributor,

**Call:** 1.800.99.FESTO

**Fax:** 1.800.96.FESTO

**Email:** [customer.service@us.festo.com](mailto:customer.service@us.festo.com)

For technical support,

**Call:** 1.866.GO.FESTO

**Fax:** 1.800.96.FESTO

**Email:** [product.support@us.festo.com](mailto:product.support@us.festo.com)

### Headquarters

Festo Corporation  
395 Moreland Road  
P.O. Box 18023  
Hauppauge, NY 11788  
[www.festo.com/us](http://www.festo.com/us)

---

### Sales Offices

#### Appleton

N. 922 Tower View Drive, Suite N  
Greenville, WI 54942

#### Boston

120 Presidential Way, Suite 330  
Woburn, MA 01801

#### Chicago

1441 East Business Center Drive  
Mt. Prospect, IL 60056

#### Dallas

1825 Lakeway Drive, Suite 600  
Lewisville, TX 75057

#### Detroit - Automotive Engineering Center

2601 Cambridge Court, Suite 320  
Auburn Hills, MI 48326

#### New York

395 Moreland Road  
Hauppauge, NY 11788

#### Silicon Valley

4935 Southfront Road, Suite F  
Livermore, CA 94550

## Design and Manufacturing Operations



**East:** 395 Moreland Road, Hauppauge, NY 11788



**Central:** 1441 East Business Center Drive, Mt. Prospect, IL 60056



**West:** 4935 Southfront Road, Suite F, Livermore, CA 94550

---

## Mexico

### Headquarters

Festo Pneumatic, S.A.  
Av. Ceylán 3, Col. Tequesquinahuac  
54020 Tlalnepantla, Edo. de México  
Call: 011 52 [55] 53 21 66 00  
Fax: 011 52 [55] 53 21 66 65  
Email: [festo.mexico@mx.festo.com](mailto:festo.mexico@mx.festo.com)  
[www.festo.com/mx](http://www.festo.com/mx)



## Canada

### Headquarters

Festo Inc.  
5300 Explorer Drive  
Mississauga, Ontario L4W 5G4  
Call: 1.905.624.9000  
Fax: 1.905.624.9001  
Email: [info.ca@ca.festo.com](mailto:info.ca@ca.festo.com)  
[www.festo.com/ca](http://www.festo.com/ca)



---

## Festo Worldwide

Argentina Australia Austria Belarus Belgium Brazil Bulgaria Canada Chile China Colombia Croatia Czech Republic Denmark  
Estonia Finland France Germany Great Britain Greece Hong Kong Hungary India Indonesia Iran Ireland Israel Italy Japan  
Latvia Lithuania Malaysia Mexico Netherlands New Zealand Norway Peru Philippines Poland Romania Russia Serbia Singapore  
Slovakia Slovenia South Africa South Korea Spain Sweden Switzerland Taiwan Thailand Turkey Ukraine United States Venezuela

[www.festo.com](http://www.festo.com)