

Magnet Switch

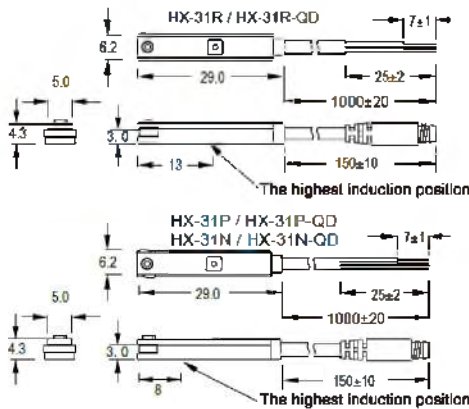
HX-31 Magnet Switch



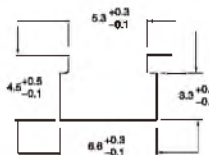
How to Order?

HX	-	31	D	-	2M
Product code		Series NO.	Switch Type		Wire length
			D: Two wire without contact switch		1M:1M
			N: NPN type		2M:2M
			P: PNP type		5M:5M
			R: Two wire read switch		10M:10M
				
					QD8: QD8 Male connector
					QD12: QD12 Male connector
					Note: The standard wire length of the quick connector is 0.15m. Other wire lengths cannot be ordered

Dimension

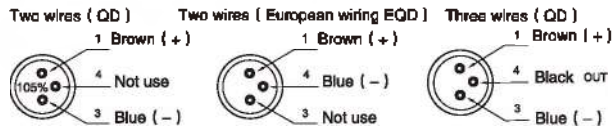


Groove Dimension



Suitable for cylinder:
FVBC/EXSM/
EXSWM/SF/SFM

M8/M12 male wiring diagram



Type	HX-31D	HX-31N	HX-31P	HX-31R
Connect Diagram				
Parameter				
Wiring method	2-Wire Type	3-Wire Type		2-Wire Type
Switching logic		Electronic type N.O.		SPST Normally Open
Sensor type	None contact type	NPN type (Input)	PNP type (Output)	Reed switch
Operating voltage	10-28V DC	5-30V DC		5-240V DC/AC
Max. switching current	50mA max	200mA max.		100mA max.
Contact rating	1.4 W max	6W max.		10W max.
Current consumption	40 μA max @24V	14(N)/17(P) mA max (Switch Active)		None
Voltage drop	2.8 V max.	1 V max. @200mA DC		2.5 V max.
Leakage current	90 μA max @28V	0.01mA max.		None
Indicator		Red LED		
Max. exchange frequency		1000Hz		200Hz
Temperature range		-10 - 70°C		
Shock		50G		30G
Vibration		9G		
Enclosure classification		IEC 529 IP67 (NEMA 6)		
Protection circuit	2, 4	3, 4		1
Cable	2.8φ, 2C, Black color, oil resistance PVC	2.8φ, 3C, Black color, oil resistance PVC		2.8φ, 2C, Grey color, oil resistance PVC
Switch sensitive		40-750G		40G