

# EAF Series Air Preparation Unit

## EAF3000

Filter



### Specifications

Model	EAF3000-02	EAF3000-03	EAF3000-04
Working Medium	Clean Air(after 40 μm filtration)		
Guaranteed Pressure(MPa)	1.5		
Max. Working Pressure(MPa)	0.15-1.0		
Working Temperature(°C)	-5-60 ( No freezing )		
Filter Precision	40 μm/5 μm optional		
Bowl Material	PC(Polycarbonate)		
Water Bowl Capacity(CC)	40		
Weight(g)	328	322	315

### How to Order?

### Flow Chart

Series No. — Port Size Drain Type Bracket Code Filter Precision — Thread Type

EAF3000:EA3000 series filter

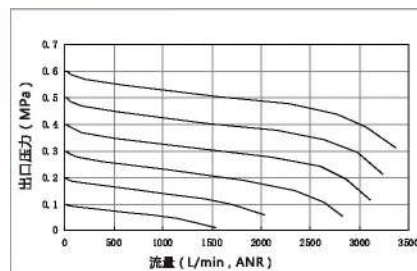
Blank: Manual drain type  
C: Semi-auto drain  
D: Auto Drain type

Blank: 40 μm  
5M: 5 μm

Blank: G  
P: PT  
T: NPT

3000  
02: 1/4"  
03: 3/8"  
04: 1/2"

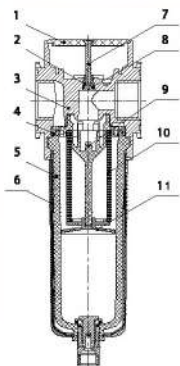
Blank: With bracket  
J: No bracket



#### Order Example:

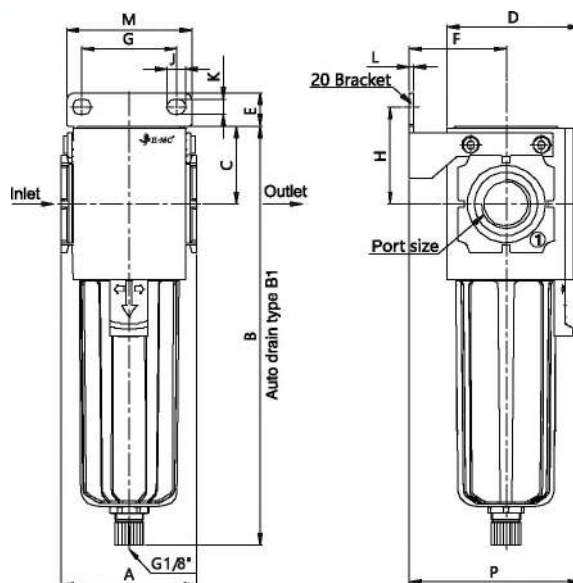
EA series Filter, port size of 1/2", differential pressure drain type, with bracket, filter precision 5 μm, G thread, the ERP code is: EAF3000-04C5M

### Internal Structure



No.	Part Name	Material
1	Valve seal cover	ABS
2	Seal Pillar	6061
3	Valve body	Aluminum alloy
4	Seal	NBR
5	Water bowl	PC
6	Protection Guard	PC+ABS
7	Screw	Mild steel
8	O-ring	NBR
9	Water separator propella	POM
10	Filter element	PE
11	Water baffle	POM with glass fiber

### Main Dimensions



Model	Port Size	A	B	B1	C	D	E	F	G	H	J	K	L	M	P
EAF3000	1/4"-1/2"	57	178.5	173.5	33	56.4	14	41	40	41	8	6.5	2	53	72.4

4

EAF3000