

# EAL Series Air Preparation Unit

## EAL3000

Lubricator



### Specifications

Model	EAL3000-02	EAL3000-03	EAL3000-04
Working Medium	Clean Air(after 40 μ m filtration)		
Guaranteed Pressure(MPa)	1.5		
Max. Working Pressure(MPa)	0.05-1.0		
Working Temperature(°C)	-5-60 ( No freezing )		
Recommended Oil	Turbine No.1 Oil ISO VG32		
Bowl Material	PC(Polycarbonate)		
Oil Bowl Capacity(CC)	76		
Weight(g)	296	287	279

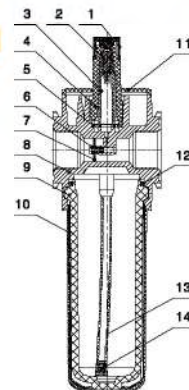
### How to Order?

Series No.	Port Size	Bracket Code	Thread Type
EAL3000:EA3000 series lubricator	02: 1/4" 3000 03: 3/8" 04: 1/2"	Blank: With bracket J: No bracket	Blank: G P: PT T: NPT

#### Order Example:

EA series lubricator, port size of 1/2", with bracket, G thread, the ERP code is: EAL3000-04

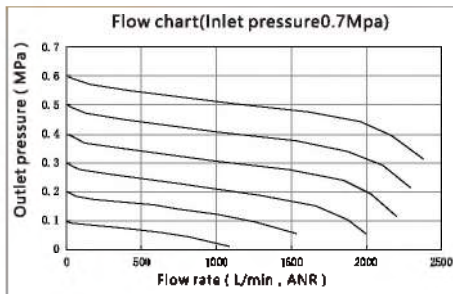
### Internal Structure



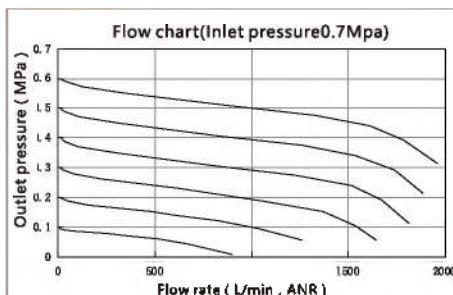
No.	Part Name	Material
1	Adjusting screw cap	POM
2	Oil flow adjusting unit	Brass
3	Oil dripping tube	PC
4	Oil window	PC
5	Seal	NBR
6	Bolt brass	Brass
7	Baffle	NBR
8	Valve body	Aluminum alloy
9	Water bowl	PC
10	Protection guard	PC+ABS
11	Lubricator cover plate	ABS
12	Sealing	NBR
13	Pipe	PU
14	Filter element	Brass

### Flow Chart

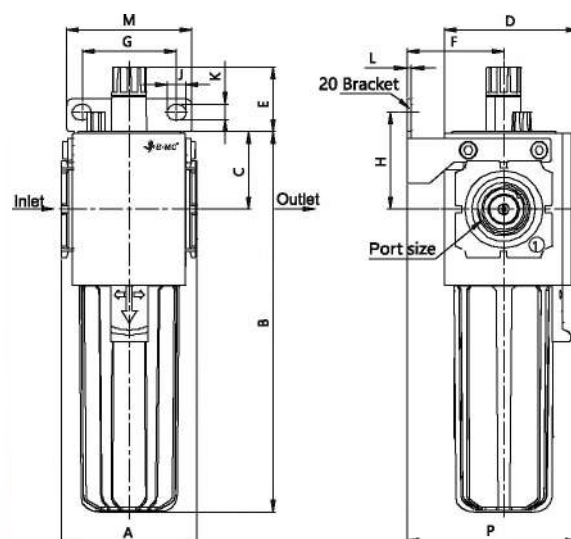
#### EAL3000-03/04



#### EAL3000-02



### Main Dimensions



Model	Port Size	A	B	C	D	E	F	G	H	J	K	L	M	P
EAL 3000	1/4"-1/2"	57	188	33	564	27	41	40	41	8	6.5	2	53	724