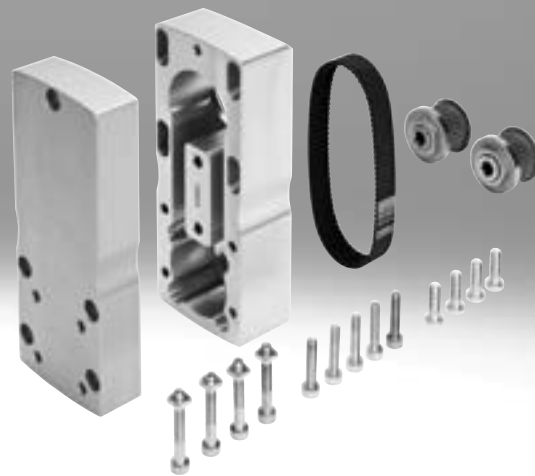


Parallel kits EAMM-U

FESTO



Festo core product range
Solves the majority of your automation tasks

Worldwide:
Superb:
Easy:

Always in stock
Festo quality at an attractive price
Simplified procurement and warehousing

★ Generally ready for shipping ex works in 24 hours
In stock at 13 Service Centres worldwide
More than 2200 products

☆ Generally ready for shipping ex works in 5 days
Assembled for you at 4 Service Centres worldwide
Up to 6×10^{12} variants per product family

Just look
for the
star!

Key features

At a glance

The following kits are used for coupling of motors and axes. The couplings transmit the drive energy of the motor to the axes via a belt. They can be connected to Festo motors or third-party motors.

The selection provides you with an overview of possible combinations. The planning tool "PositioningDrives" helps you find the right combination.

"PositioningDrives" planning tool for electric drives in connection with Festo motors

Simply enter a few application details and PositioningDrives will calculate the ideal combination from the widely coordinated range of electromechanical linear drives, motors, gear units and controllers.



Find the right axis/motor combination with third-party motors fast

Select the required axis and note the code in the "Motor interface" column.

Look for the interface code in the interface table for third-party motors (→ from page 60) and check if the desired third-party motor is listed.



Interfacecode	Motorcode	Typ
Parallelmotoren		
3200	32	32/32
3201	32	32/32
3202	32	32/32
3203	32	32/32
3204	32	32/32
3205	32	32/32
3206	32	32/32
3207	32	32/32
3208	32	32/32
3209	32	32/32
3210	32	32/32
3211	32	32/32
3212	32	32/32
3213	32	32/32
3214	32	32/32
3215	32	32/32
3216	32	32/32
3217	32	32/32
3218	32	32/32
3219	32	32/32
3220	32	32/32
3221	32	32/32
3222	32	32/32
3223	32	32/32
3224	32	32/32
3225	32	32/32
3226	32	32/32
3227	32	32/32
3228	32	32/32
3229	32	32/32
3230	32	32/32
3231	32	32/32
3232	32	32/32
3233	32	32/32
3234	32	32/32
3235	32	32/32
3236	32	32/32
3237	32	32/32
3238	32	32/32
3239	32	32/32
3240	32	32/32
3241	32	32/32
3242	32	32/32
3243	32	32/32
3244	32	32/32
3245	32	32/32
3246	32	32/32
3247	32	32/32
3248	32	32/32
3249	32	32/32
3250	32	32/32
3251	32	32/32
3252	32	32/32
3253	32	32/32
3254	32	32/32
3255	32	32/32
3256	32	32/32
3257	32	32/32
3258	32	32/32
3259	32	32/32
3260	32	32/32
3261	32	32/32
3262	32	32/32
3263	32	32/32
3264	32	32/32
3265	32	32/32
3266	32	32/32
3267	32	32/32
3268	32	32/32
3269	32	32/32
3270	32	32/32
3271	32	32/32
3272	32	32/32
3273	32	32/32
3274	32	32/32
3275	32	32/32
3276	32	32/32
3277	32	32/32
3278	32	32/32
3279	32	32/32
3280	32	32/32
3281	32	32/32
3282	32	32/32
3283	32	32/32
3284	32	32/32
3285	32	32/32
3286	32	32/32
3287	32	32/32
3288	32	32/32
3289	32	32/32
3290	32	32/32
3291	32	32/32
3292	32	32/32
3293	32	32/32
3294	32	32/32
3295	32	32/32
3296	32	32/32
3297	32	32/32
3298	32	32/32
3299	32	32/32
3300	32	32/32
3301	32	32/32
3302	32	32/32
3303	32	32/32
3304	32	32/32
3305	32	32/32
3306	32	32/32
3307	32	32/32
3308	32	32/32
3309	32	32/32
3310	32	32/32
3311	32	32/32
3312	32	32/32
3313	32	32/32
3314	32	32/32
3315	32	32/32
3316	32	32/32
3317	32	32/32
3318	32	32/32
3319	32	32/32
3320	32	32/32
3321	32	32/32
3322	32	32/32
3323	32	32/32
3324	32	32/32
3325	32	32/32
3326	32	32/32
3327	32	32/32
3328	32	32/32
3329	32	32/32
3330	32	32/32
3331	32	32/32
3332	32	32/32
3333	32	32/32
3334	32	32/32
3335	32	32/32
3336	32	32/32
3337	32	32/32
3338	32	32/32
3339	32	32/32
3340	32	32/32
3341	32	32/32
3342	32	32/32
3343	32	32/32
3344	32	32/32
3345	32	32/32
3346	32	32/32
3347	32	32/32
3348	32	32/32
3349	32	32/32
3350	32	32/32
3351	32	32/32
3352	32	32/32
3353	32	32/32
3354	32	32/32
3355	32	32/32
3356	32	32/32
3357	32	32/32
3358	32	32/32
3359	32	32/32
3360	32	32/32
3361	32	32/32
3362	32	32/32
3363	32	32/32
3364	32	32/32
3365	32	32/32
3366	32	32/32
3367	32	32/32
3368	32	32/32
3369	32	32/32
3370	32	32/32
3371	32	32/32
3372	32	32/32
3373	32	32/32
3374	32	32/32
3375	32	32/32
3376	32	32/32
3377	32	32/32
3378	32	32/32
3379	32	32/32
3380	32	32/32
3381	32	32/32
3382	32	32/32
3383	32	32/32
3384	32	32/32
3385	32	32/32
3386	32	32/32
3387	32	32/32
3388	32	32/32
3389	32	32/32
3390	32	32/32
3391	32	32/32
3392	32	32/32
3393	32	32/32
3394	32	32/32
3395	32	32/32
3396	32	32/32
3397	32	32/32
3398	32	32/32
3399	32	32/32
3400	32	32/32

Note

Depending on the combination of motor and drive, it may not be possible to reach the maximum feed force of the drive in certain circumstances. When using parallel kits, the no-load driving torque of the particular kit must be taken into consideration.

Key features

Type	For axis	Can be mounted	Transmission ratio	Description	→ Page
EAMM-U-...-D	<ul style="list-style-type: none"> • Electric cylinder ESBF • Mini slide EGSL 	In all directions	$i = 1$	<ul style="list-style-type: none"> • Optionally with degree of protection IP65 	4
EAMM-U-...-S	<ul style="list-style-type: none"> • Spindle axis ELGA-BS • Spindle axis EGC-BS • Spindle axis EGC-HD-BS 	In all directions	$i = 1$	<ul style="list-style-type: none"> • To support the axis shaft, a counter bearing EAMG and a clamping sleeve EAMH-...-P with integrated trunnion are included in the scope of delivery for the parallel kit 	4
EAMM-U-...-V/T	<ul style="list-style-type: none"> • Electric cylinder EPCC • Mini slide EGSC-BS • Spindle axis ELGC-BS • Spindle axis ELGT-BS 	In all directions	$i = 1$	–	46
EAMM-U-E/-D	<ul style="list-style-type: none"> • Mini slide EGSL 	Can only be mounted at the side and underneath)	$i = 1$	–	56

Accessories for parallel kit EAMM-U-...-D/S

Clamping element EADT

→ Page 41



For adjusting the toothed belt pretension with EAMM-U-110 and EAMM-U-145. The motor is pushed away from the axis mechanism by turning the clamping element secured in a hole in the housing (the motor can be moved in a slot for this purpose). This enables high toothed belt pretension forces to be generated with low torques at the clamping element.

Counter bearing EAMG

→ Page 42



A counter bearing EAMG reduces the load on the axis or motor bearings to improve the service life under high loads. For every counter bearing, an additional clamping sleeve EAMH-...-P is required.

Clamping sleeve EAMH-...-P

→ Page 43



To retrofit the counter bearing, the clamping sleeve without trunnion contained as standard in the parallel kit must be replaced by the clamping sleeve EAMH-...-P with integrated trunnion.

Clamping sleeve EAMH-...

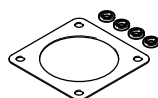
→ Page 44



Clamping sleeves for adapting third-party motors with deviating shaft diameters to the parallel kits.

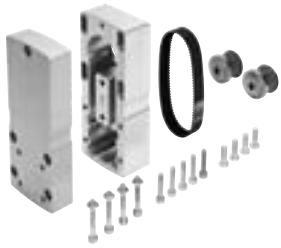
Seal set EADS-F-...

→ Page 45



Spare part for sealed parallel kit EAMM-U-...-S1, between motor and kit

Overview of interfaces



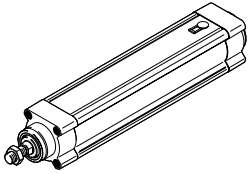
Axis mechanism interface	
D19	EGSL-35
D32	ESBF-32, EGSL-45
D40	ESBF-40, EGSL-55
D50	ESBF-50
D60	EGSL-75, ESBF-63
D80	ESBF-80
D100	ESBF-100
S38	ELGA-BS-70, EGC-70-BS, EGC-HD-125-BS
S48	ELGA-BS-80, EGC-80-BS, EGC-HD-160-BS
S62	ELGA-BS-120, EGC-120-BS, EGC-HD-220-BS
S95	ELGA-BS-150, EGC-185-BS

68GA	Third-party gear unit
70GA	Third-party gear unit
90GA	Third-party gear unit
120GA	Third-party gear unit
126AA	Third-party gear unit

Motor interface	
38AA	Third-party motor
40A	Third-party motor
40P	Servo motor EMME-AS-40
40R	Third-party motor
40RA	Third-party motor
42A	Stepper motor EMMS-ST-42
57A	Stepper motor EMMS-ST-57
55A	Third-party motor
57AA	Third-party motor
57AC	Third-party motor
58AA	Third-party motor
60AA	Third-party motor
60P	Servo motor EMMT-AS-60, EMME-AS-60, third-party motor
60PA	Third-party motor
60R	Third-party motor
60RA	Third-party motor
60RB	Third-party motor
67A	Integrated drive EMCA-EC-67
70A	Third-party motor
70AA	Third-party motor
70AB	Third-party motor
80P	Servo motor EMME-AS-80
80PB	Third-party motor
80R	Third-party motor
82AA	Third-party motor
84AA	Third-party motor
87A	Stepper motor EMMS-ST-87, third-party motor
88A	Third-party motor
100A	Servo motor EMME-AS-100
140A	Servo motor EMMS-AS-140
126AA	Third-party motor
40G	Gear unit EMGA-40
60G	Gear unit EMGA-60-P-...SAS/SST, third-party gear unit
60H	Gear unit EMGA-60-P-...EAS, EMGC-60-P
80G	Gear unit EMGA-80
120G	Gear unit EMGA-120
50GA	Third-party gear unit

Product range overview

Permissible axis/motor combinations with electric cylinder ESBF



- The kit can be mounted in all directions
- Optionally with degree of protection IP65
- Table of interfaces for third-party motors → from page 60

Motor/gear unit ²⁾ Type	Motor interface	Parallel kit	
		Part no.	Type
ESBF-32			
With servo motor			
Third-party motor	38AA	8058924	EAMM-U-50-D32-38AA-78
EMME-AS-40-...	40P	★ 2153283	EAMM-U-50-D32-40P-78
		2154009	EAMM-U-50-D32-40P-78-S1 ¹⁾
Third-party motor	40A	1201591	EAMM-U-50-D32-40A-78
		1202302	EAMM-U-50-D32-40A-78-S1 ¹⁾
Third-party motor	40RA	8058925	EAMM-U-50-D32-40RA-78
Third-party motor	55A	1210126	EAMM-U-60-D32-55A-91
		1210450	EAMM-U-60-D32-55A-91-S1 ¹⁾
Third-party motor	58AA	8058930	EAMM-U-60-D32-58AA-91
Third-party motor	60P	8125069	EAMM-U-60-D32-60P-91
Third-party motor	60RA	8123497	EAMM-U-60-D32-60RA-91
Third-party motor	60RB	8058932	EAMM-U-60-D32-60RB-91
EMMT-AS-60-..., EMME-AS-60-..., third-party motor	60P	★ 2619586	EAMM-U-70-D32-60P-96
		2619688	EAMM-U-70-D32-60P-96-S1 ¹⁾
Third-party motor	70A	2755565	EAMM-U-70-D32-70A-96
		2781711	EAMM-U-70-D32-70A-96-S1 ¹⁾
Third-party motor	70AA	8123499	EAMM-U-70-D32-70AA-96
With stepper motor			
EMMS-ST-42-...	42A	★ 1201607	EAMM-U-50-D32-42A-78
		1202312	EAMM-U-50-D32-42A-78-S1 ¹⁾
EMMS-ST-57-...	57A	★ 1210419	EAMM-U-60-D32-57A-91
		1210453	EAMM-U-60-D32-57A-91-S1 ¹⁾
Third-party motor	57AC	8058929	EAMM-U-60-D32-57AC-91
Third-party motor	60AA	8123498	EAMM-U-60-D32-60AA-91
With gear unit			
EMGA-40-P-...	40G	1577358	EAMM-U-60-D32-40G-91
EMGC-40-P-...		1577346	EAMM-U-60-D32-40G-91-S1 ¹⁾
EMGA-60-P-...-EAS, EMGC-60-P-... ³⁾ , third-party gear unit	60H	2778393	EAMM-U-70-D32-60H-96
		2781450	EAMM-U-70-D32-60H-96-S1 ¹⁾
EMGA-60-P-...-SAS/SST ³⁾	60G	2748181	EAMM-U-70-D32-60G-96
		2778302	EAMM-U-70-D32-60G-96-S1 ¹⁾
Third-party gear unit	68GA	8058951	EAMM-U-70-D32-68GA-96
With integrated drive			
EMCA-EC-67-...	67A	1577063	EAMM-U-60-D32-67A-91
		1529422	EAMM-U-60-D32-67A-91-S1

1) With degree of protection IP65

2) The input torque must not exceed the max. permissible transferable torque of the parallel kit.

3) Gear unit output shaft diameter: EMGA-60-P-...-SAS/SST: 11 mm; EMGA-60-P-...-EAS, EMGC-60-P: 14 mm

Note

The seal for EAMM-U-...-S1 reduces the heat dissipation between the motor and the flange. Note the derating of the motor.

Festo core product range

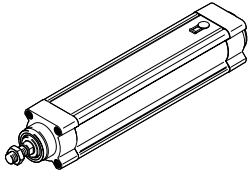


Generally ready for shipping ex works in 24 hours

Generally ready for shipping ex works in 5 days

Product range overview

Permissible axis/motor combinations with electric cylinder ESBF



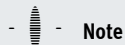
- The kit can be mounted in all directions
- Optionally with degree of protection IP65
- Table of interfaces for third-party motors → from page 60

Motor/gear unit ²⁾ Type	Motor interface	Parallel kit	
		Part no.	Type
ESBF-40			
With servo motor			
Third-party motor	55A	1210438	EAMM-U-60-D40-55A-91
		1210458	EAMM-U-60-D40-55A-91-S1 ¹⁾
EMMT-AS-60-..., EMME-AS-60-..., third-party motor	60P	★ 2617488	EAMM-U-70-D40-60P-96
		2546123	EAMM-U-70-D40-60P-96-S1 ¹⁾
Third-party motor	70A	2786204	EAMM-U-70-D40-70A-96
		2786316	EAMM-U-70-D40-70A-96-S1 ¹⁾
Third-party motor	70A	1212826	EAMM-U-86-D40-70A-102
		1212854	EAMM-U-86-D40-70A-102-S1 ¹⁾
EMMT-AS-80-... EMME-AS-80-...	80P	★ 2802441	EAMM-U-86-D40-80P-102
		2802656	EAMM-U-86-D40-80P-102-S1 ¹⁾
Third-party motor	40R	8058934	EAMM-U-60-D40-40R-91
Third-party motor	58AA	8058940	EAMM-U-60-D40-58AA-91
Third-party motor	60PA	8058972	EAMM-U-86-D40-60PA-102
Third-party motor	60R	1210446	EAMM-U-60-D40-60R-91
Third-party motor		1210466	EAMM-U-60-D40-60R-91-S1 ¹⁾
Third-party motor	60RA	8058952	EAMM-U-70-D40-60RA-96
Third-party motor	70AA, 70AB	8058973	EAMM-U-86-D40-70AA-102
Third-party motor	80PB	8123501	EAMM-U-86-D40-80PB-102
Third-party motor	82AA	8058975	EAMM-U-86-D40-82AA-102
Third-party motor	84AA	8058976	EAMM-U-86-D40-84AA-102
Third-party motor	88A	1362229	EAMM-U-86-D40-88A-102
With stepper motor			
EMMS-ST-57-...	57A	★ 1210442	EAMM-U-60-D40-57A-91
		1210462	EAMM-U-60-D40-57A-91-S1 ¹⁾
EMMS-ST-87-..., third-party motor	87A	★ 1215802	EAMM-U-86-D40-87A-102
		1215814	EAMM-U-86-D40-87A-102-S1 ¹⁾
Third-party motor	57AC	8058939	EAMM-U-60-D40-57AC-91

1) With degree of protection IP65

2) The input torque must not exceed the max. permissible transferable torque of the parallel kit.

3) Gear unit output shaft diameter: EMGA-60-P-...SAS/SST: 11 mm; EMGA-60-P-...EAS, EMGC-60-P: 14 mm



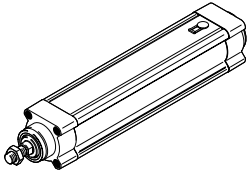
Note

The seal for EAMM-U-...-S1 reduces the heat dissipation between the motor and the flange. Note the derating of the motor.



Product range overview

Permissible axis/motor combinations with electric cylinder ESBF



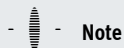
- The kit can be mounted in all directions
- Optionally with degree of protection IP65
- Table of interfaces for third-party motors → from page 60

Motor/gear unit ²⁾ Type	Motor interface	Parallel kit	
		Part no.	Type
ESBF-40			
With gear unit			
EMGA-40-P-...	40G	1577165	EAMM-U-60-D40-40G-91
EMGC-40-P-...		1435968	EAMM-U-60-D40-40G-91-S1 ¹⁾
EMGA-60-P-...-EAS, EMGC-60-P-... ³⁾ , third-party gear unit	60H	2786101	EAMM-U-70-D40-60H-96
		2786137	EAMM-U-70-D40-60H-96-S1 ¹⁾
EMGA-60-P-...-SAS/SST ³⁾	60G	2785471	EAMM-U-70-D40-60G-96FDGF
		2785542	EAMM-U-70-D40-60G-96-S1 ¹⁾
EMGA-60-P-...-EAS, EMGC-60-P-... ³⁾ , third-party gear unit	60H	1586496	EAMM-U-86-D40-60H-102
		1586372	EAMM-U-86-D40-60H-102-S1 ¹⁾
EMGA-60-P-...-SAS/SST ³⁾	60G	1586445	EAMM-U-86-D40-60G-102
		1586429	EAMM-U-86-D40-60G-102-S1 ¹⁾
With integrated drive			
EMCA-EC-67-...	67A	1577083	EAMM-U-60-D40-67A-91
		1435249	EAMM-U-60-D40-67A-91-S1
Third-party gear unit	50GA	8058935	EAMM-U-60-D40-50GA-91
Third-party gear unit	68GA	8058954	EAMM-U-70-D40-68GA-96
ESBF-50			
With servo motor			
Third-party motor	60P	8123171	EAMM-U-70-D50-60P-96
Third-party motor	70A	2786899	EAMM-U-70-D50-70A-96
		2756078	EAMM-U-70-D50-70A-96-S1 ¹⁾
EMME-AS-80-...	80P	★ 2803053	EAMM-U-86-D50-80P-102
		2803073	EAMM-U-86-D50-80P-102-S1 ¹⁾
Third-party motor	80PB	8107089	EAMM-U-86-D50-80PB-102
Third-party motor	84AA	8107241	EAMM-U-110-D50-84AA-120
EMMT-AS-100-..., EMME-AS-100-...,	100A	2799424	EAMM-U-110-D50-100A-120
		2799488	EAMM-U-110-D50-100A-120-S1 ¹⁾
Third-party motor	60RA	8058963	EAMM-U-70-D50-60RA-96

1) With degree of protection IP65

2) The input torque must not exceed the max. permissible transferable torque of the parallel kit.

3) Gear unit output shaft diameter: EMGA-60-P-...-SAS/SST: 11 mm; EMGA-60-P-...-EAS, EMGC-60-P: 14 mm

**Note**

The seal for EAMM-U-...-S1 reduces the heat dissipation between the motor and the flange. Note the derating of the motor.

Festo core product range

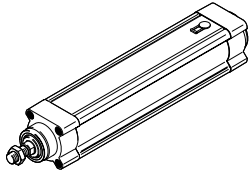


Generally ready for shipping ex works in 24 hours

Generally ready for shipping ex works in 5 days

Product range overview

Permissible axis/motor combinations with electric cylinder ESBF



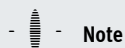
- The kit can be mounted in all directions
- Optionally with degree of protection IP65
- Table of interfaces for third-party motors → from page 60

Motor/gear unit ²⁾ Type	Motor interface	Parallel kit	
		Part no.	Type
ESBF-50			
With stepper motor			
EMMS-ST-87-..., third-party motor	87A	2802708	EAMM-U-86-D50-87A-102
		2802742	EAMM-U-86-D50-87A-102-S1 ¹⁾
With gear unit			
EMGA-60-P-...-EAS, EMGC-60-P-... ³⁾ , third-party gear unit	60H	2803326	EAMM-U-86-D50-60H-102
		2803325	EAMM-U-86-D50-60H-102-S1 ¹⁾
EMGA-60-P-...-SAS/SST ³⁾	60G	2803125	EAMM-U-86-D50-60G-102
		2803197	EAMM-U-86-D50-60G-102-S1 ¹⁾
EMGA-60-P-...-EAS, EMGC-60-P-... ³⁾ , third-party gear unit	60H	2798760	EAMM-U-110-D50-60H-120
		2799150	EAMM-U-110-D50-60H-120-S1 ¹⁾
EMGA-60-P-...-SAS/SST ³⁾	60G	2797368	EAMM-U-110-D50-60G-120
		2798665	EAMM-U-110-D50-60G-120-S1 ¹⁾
EMGA-80-P-...	80G	2799196	EAMM-U-110-D50-80G-120
		2799281	EAMM-U-110-D50-80G-120-S1 ¹⁾
Third-party gear unit	68GA	8058965	EAMM-U-70-D50-68GA-96
Third-party gear unit	70GA	8107044	EAMM-U-86-D50-70GA-102
Third-party gear unit	120GA	8059040	EAMM-U-110-D50-120GA-120
ESBF-63			
With servo motor			
Third-party motor	55A	8058979	EAMM-U-86-D60-55A-102
EMMT-AS-60-..., EMME-AS-60-..., third-party motor	60P	8058982	EAMM-U-86-D60-60P-102
Third-party motor	70A	1212477	EAMM-U-86-D60-70A-102
		1212835	EAMM-U-86-D60-70A-102-S1 ¹⁾
EMME-AS-80-...	80P	2155875	EAMM-U-86-D60-80P-102
		2156527	EAMM-U-86-D60-80P-102-S1 ¹⁾
EMMT-AS-100-..., EMME-AS-100-...	100A	1202436	EAMM-U-110-D60-100A-120 ¹⁾
		1203112	EAMM-U-110-D60-100A-120-S1 ¹⁾

1) With degree of protection IP65

2) The input torque must not exceed the max. permissible transferable torque of the parallel kit.

3) Gear unit output shaft diameter: EMGA-60-P-...-SAS/SST: 11 mm; EMGA-60-P-...-EAS, EMGC-60-P-: 14 mm



Note

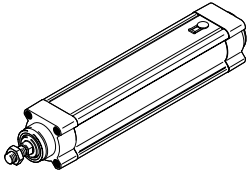
Clamping element EADT for adjusting the toothed belt pretension for EAMM-U-110 and EAMM-U-145 → page 41.

The seal for EAMM-U-...-S1 reduces the heat dissipation between the motor and the flange. Note the derating of the motor.



Product range overview

Permissible axis/motor combinations with electric cylinder ESBF



- The kit can be mounted in all directions
- Optionally with degree of protection IP65
- Table of interfaces for third-party motors → from page 60

Motor/gear unit ²⁾ Type	Motor interface	Parallel kit	
		Part no.	Type
ESBF-63			
With servo motor			
Third-party motor	58AA	8058981	EAMM-U-86-D60-58AA-102
Third-party motor	60PA	8058983	EAMM-U-86-D60-60PA-102
Third-party motor	60RB	8058986	EAMM-U-86-D60-60RB-102
Third-party motor	70AA, 70AB	8058988	EAMM-U-86-D60-70AA-102
Third-party motor	80PB	8107722	EAMM-U-86-D60-80PB-102
Third-party motor	82AA	8058992	EAMM-U-86-D60-82AA-102
Third-party motor	84AA	8058993	EAMM-U-86-D60-84AA-102
Third-party motor	88A	1441042	EAMM-U-86-D60-88A-102
Third-party motor	84AA	8059043	EAMM-U-110-D60-84AA-120
Third-party motor	88A	8059044	EAMM-U-110-D60-88A-120
With stepper motor			
EMMS-ST-87-..., third-party motor	87A	★ 1215784 1215810	EAMM-U-86-D60-87A-102 EAMM-U-86-D60-87A-102-S1 ¹⁾
Third-party motor	57AA	8058980	EAMM-U-86-D60-57AA-102
With gear unit			
EMGA-60-P-...-SAS/SST ³⁾	60G	1586347 1437163	EAMM-U-86-D60-60G-102 EAMM-U-86-D60-60G-102-S1 ¹⁾
EMGA-60-P-...-EAS, EMGC-60-P-... ³⁾ , third-party gear unit	60H	1586276 1530837	EAMM-U-86-D60-60H-102 EAMM-U-86-D60-60H-102-S1 ¹⁾
EMGA-60-P-...-SAS/SST ³⁾	60G	1543240 1436183	EAMM-U-110-D60-60G-120 EAMM-U-110-D60-60G-120-S1 ¹⁾
EMGA-60-P-...-EAS, EMGC-60-P-... ³⁾ , third-party gear unit	60H	1542264 1530621	EAMM-U-110-D60-60H-120 EAMM-U-110-D60-60H-120-S1 ¹⁾
EMGA-80-P-...	80G	1532949 1530875	EAMM-U-110-D60-80G-120 EAMM-U-110-D60-80G-120-S1 ¹⁾
Third-party gear unit	70GA	8058990	EAMM-U-86-D60-70GA-102
Third-party gear unit	90GA	8107723	EAMM-U-110-D60-90GA-120
Third-party gear unit	120GA	8059046	EAMM-U-110-D60-120GA-120

1) With degree of protection IP65

2) The input torque must not exceed the max. permissible transferable torque of the parallel kit.

3) Gear unit output shaft diameter: EMGA-60-P-...-SAS/SST: 11 mm; EMGA-60-P-...-EAS, EMGC-60-P: 14 mm

Note

Clamping element EADT for adjusting the toothed belt pretension for EAMM-U-110 and EAMM-U-145 → page 41.

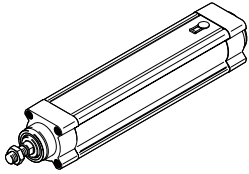
The seal for EAMM-U-...-S1 reduces the heat dissipation between the motor and the flange. Note the derating of the motor.

Festo core product range

- ★ Generally ready for shipping ex works in 24 hours
- ★ Generally ready for shipping ex works in 5 days

Product range overview

Permissible axis/motor combinations with electric cylinder ESBF



- The kit can be mounted in all directions
- Optionally with degree of protection IP65
- Table of interfaces for third-party motors → from page 60

Motor/gear unit ²⁾ Type	Motor interface	Parallel kit	
		Part no.	Type
ESBF-80			
With servo motor			
EMMT-AS-100-..., EMME-AS-100-...	100A	1465438	EAMM-U-110-D80-100A-120
		1433650	EAMM-U-110-D80-100A-120-S1 ¹⁾
EMMS-AS-140-...	140A	1465530	EAMM-U-145-D80-140A-188
		1433709	EAMM-U-145-D80-140A-188-S1 ¹⁾
Third-party motor	84AA	8059048	EAMM-U-110-D80-84AA-120
Third-party motor	126AA	8059069	EAMM-U-145-D80-126AA-188
With gear unit			
EMGA-80-P-...	80G	1589614	EAMM-U-110-D80-80G-120
		1589706	EAMM-U-110-D80-80G-120-S1 ¹⁾
Third-party gear unit	90GA	8105897	EAMM-U-145-D80-90GA-188
Third-party gear unit	120GA	8059050	EAMM-U-110-D80-120GA-120
ESBF-100			
With servo motor			
EMMS-AS-140-...	140A	1465541	EAMM-U-145-D100-140A-188
		1433852	EAMM-U-145-D100-140A-188-S1 ¹⁾
With gear unit			
EMGA-120-P-...	120G	2803620	EAMM-U-145-D100-120G-188
		2803622	EAMM-U-145-D100-120G-188-S1 ¹⁾

- 1) With degree of protection IP65
- 2) The input torque must not exceed the max. permissible transferable torque of the parallel kit.
- 3) Gear unit output shaft diameter: EMGA-60-P-...SAS/SST: 11 mm; EMGA-60-P-...EAS, EMGC-60-P: 14 mm

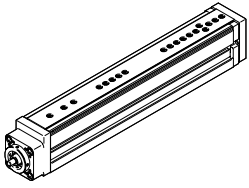
 **Note**

Clamping element EADT for adjusting the toothed belt pretension for EAMM-U-110 and EAMM-U-145 → page 41.

The seal for EAMM-U-...-S1 reduces the heat dissipation between the motor and the flange. Note the derating of the motor.

Product range overview

Permissible axis/motor combinations with mini slide EGSL



- The kit can be mounted in all directions
- Table of interfaces for third-party motors → from page 60

Motor/gear unit ¹⁾ Type	Motor interface	Parallel kit	
		Part no.	Type
EGSL-35			
With servo motor			
Third-party motor	38AA	8107032	EAMM-U-50-D19-38AA-78
Third-party motor	40R	8107034	EAMM-U-50-D19-40R-78
EGSL-45			
With servo motor			
EMME-AS-40-...	40P	★ 2153283	EAMM-U-50-D32-40P-78
Third-party motor	40A	1201591	EAMM-U-50-D32-40A-78
Third-party motor	55A	1210126	EAMM-U-60-D32-55A-91
Third-party motor	38AA	8058924	EAMM-U-50-D32-38AA-78
Third-party motor	40RA	8058925	EAMM-U-50-D32-40RA-78
Third-party motor	58AA	8058930	EAMM-U-60-D32-58AA-91
Third-party motor	60P	8125069	EAMM-U-60-D32-60P-91
Third-party motor	60RA	8123497	EAMM-U-60-D32-60RA-91
Third-party motor	60RB	8058932	EAMM-U-60-D32-60RB-91
EMMT-AS-60-..., EMME-AS-60-... third-party motor	60P	★ 2619586	EAMM-U-70-D32-60P-96
Third-party motor	70A	2755565	EAMM-U-70-D32-70A-96
Third-party motor	70AA	8123499	EAMM-U-70-D32-70AA-96
With stepper motor			
EMMS-ST-42-...	42A	★ 1201607	EAMM-U-50-D32-42A-78
EMMS-ST-57-...	57A	★ 1210419	EAMM-U-60-D32-57A-91
Third-party motor	57AC	8058929	EAMM-U-60-D32-57AC-91
Third-party motor	60AA	8123498	EAMM-U-60-D32-60AA-91
With integrated drive			
EMCA-EC-67-...	67A	1577063	EAMM-U-60-D32-67A-91
With gear unit			
EMGA-40-P-...	40G	1577358	EAMM-U-60-D32-40G-91
EMGC-40-P-...			
EMGA-60-P-...-SAS/SST ²⁾	60G	2748181	EAMM-U-70-D32-60G-96
EMGA-60-P-...-EAS, EMGC-60-P-... ²⁾ , third-party gear unit	60H	2778393	EAMM-U-70-D32-60H-96
Third-party gear unit	68GA	8058951	EAMM-U-70-D32-68GA-96

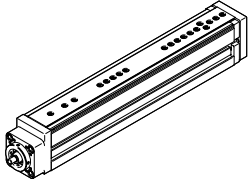
1) The input torque must not exceed the max. permissible transferable torque of the parallel kit.

2) Gear unit output shaft diameter: EMGA-60-P-...-SAS/SST: 11 mm; EMGA-60-P-...-EAS, EMGC-60-P: 14 mm



Product range overview

Permissible axis/motor combinations with mini slide EGSL



- The kit can be mounted in all directions
- Table of interfaces for third-party motors → from page 60

Motor/gear unit ¹⁾ Type	Motor interface	Parallel kit	
		Part no.	Type
EGSL-55			
With servo motor			
Third-party motor	55A	1210438	EAMM-U-60-D40-55A-91
EMMT-AS-60-..., EMME-AS-60-..., third-party motor	60P	★ 2617488	EAMM-U-70-D40-60P-96
Third-party motor	70A	2786204	EAMM-U-70-D40-70A-96
Third-party motor	70A	1212826	EAMM-U-86-D40-70A-102
EMMT-AS-80-..., EMME-AS-80-...	80P	2802441	EAMM-U-86-D40-80P-102
Third-party motor	40R	8058934	EAMM-U-60-D40-40R-91
Third-party motor	58AA	8058940	EAMM-U-60-D40-58AA-91
Third-party motor	60R	1210446	EAMM-U-60-D40-60R-91
Third-party motor	60RA	8058952	EAMM-U-70-D40-60RA-96
Third-party motor	60PA	8058972	EAMM-U-86-D40-60PA-102
Third-party motor	70AA, 70AB	8058973	EAMM-U-86-D40-70AA-102
Third-party motor	80PB	8123501	EAMM-U-86-D40-80PB-102
Third-party motor	82AA	8058975	EAMM-U-86-D40-82AA-102
Third-party motor	84AA	8058976	EAMM-U-86-D40-84AA-102
Third-party motor	88A	1362229	EAMM-U-86-D40-88A-102
With stepper motor			
EMMS-ST-57-...	57A	★ 1210442	EAMM-U-60-D40-57A-91
EMMS-ST-87-..., third-party motor	87A	★ 1215802	EAMM-U-86-D40-87A-102
Third-party motor	57AC	8058939	EAMM-U-60-D40-57AC-91
With integrated drive			
EMCA-EC-67...	67A	1577083	EAMM-U-60-D40-67A-91
With gear unit			
EMGA-40-P-...	40G	1577165	EAMM-U-60-D40-40G-91
EMGC-40-P-...			
EMGA-60-P-...-SAS/SST ²⁾	60G	2785471	EAMM-U-70-D40-60G-96
EMGA-60-P-...-EAS, EMGC-60-P-... ²⁾ , third-party gear unit	60H	2786101	EAMM-U-70-D40-60H-96
EMGA-60-P-...-SAS/SST ²⁾	60G	1586445	EAMM-U-86-D40-60G-102
EMGA-60-P-...-EAS, EMGC-60-P-... ²⁾ , third-party gear unit	60H	1586496	EAMM-U-86-D40-60H-102
Third-party gear unit	50GA	8058935	EAMM-U-60-D40-50GA-91
Third-party gear unit	68GA	8058954	EAMM-U-70-D40-68GA-96

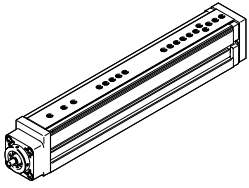
1) The input torque must not exceed the max. permissible transferable torque of the parallel kit.

2) Gear unit output shaft diameter: EMGA-60-P-...-SAS/SST: 11 mm; EMGA-60-P-...-EAS, EMGC-60-P-: 14 mm



Product range overview

Permissible axis/motor combinations with mini slide EGSL

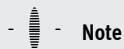


- The kit can be mounted in all directions
- Table of interfaces for third-party motors → from page 60

Motor/gear unit ¹⁾ Type	Motor interface	Parallel kit	
		Part no.	Type
EGSL-75			
With servo motor			
Third-party motor	55A	8058979	EAMM-U-86-D60-55A-102
EMMT-AS-60-..., EMME-AS-60-..., third-party motor	60P	8058982	EAMM-U-86-D60-60P-102
Third-party motor	70A	1212477	EAMM-U-86-D60-70A-102
EMME-AS-80-...	80P	★ 2155875	EAMM-U-86-D60-80P-102
EMMT-AS-100-..., EMME-AS-100-...	100A	1202436	EAMM-U-110-D60-100A-120
Third-party motor	58AA	8058981	EAMM-U-86-D60-58AA-102
Third-party motor	60PA	8058983	EAMM-U-86-D60-60PA-102
Third-party motor	60RB	8058986	EAMM-U-86-D60-60RB-102
Third-party motor	70AA, 70AB	8058988	EAMM-U-86-D60-70AA-102
Third-party motor	80PB	8107722	EAMM-U-86-D60-80PB-102
Third-party motor	82AA	8058992	EAMM-U-86-D60-82AA-102
Third-party motor	84AA	8058993	EAMM-U-86-D60-84AA-102
Third-party motor	88A	1441042	EAMM-U-86-D60-88A-102
Third-party motor	84AA	8059043	EAMM-U-110-D60-84AA-120
Third-party motor	88A	8059044	EAMM-U-110-D60-88A-120
With stepper motor			
Third-party motor	57AA	8058980	EAMM-U-86-D60-57AA-102
EMMS-ST-87-..., third-party motor	87A	★ 1215784	EAMM-U-86-D60-87A-102
With gear unit			
EMGA-60-P-...-SAS/SST ²⁾	60G	1536988	EAMM-U-86-D60-60G-102
EMGA-60-P-...-EAS, EMGC-60-P-... ²⁾ , third-party gear unit	60H	1536988	EAMM-U-86-D60-60H-102
EMGA-60-P-...-SAS/SST ²⁾	60G	1543240	EAMM-U-110-D60-60G-120
EMGA-60-P-...-EAS, EMGC-60-P-... ²⁾ , third-party gear unit	60H	1542264	EAMM-U-110-D60-60H-120
EMGA-80-P-...	80G	1532949	EAMM-U-110-D60-80G-120
Third-party gear unit	70GA	8058990	EAMM-U-86-D60-70GA-102
Third-party gear unit	90GA	8107723	EAMM-U-110-D60-90GA-120
Third-party gear unit	120GA	8059046	EAMM-U-110-D60-120GA-120

1) The input torque must not exceed the max. permissible transferable torque of the parallel kit.

2) Gear unit output shaft diameter: EMGA-60-P-...-SAS/SST: 11 mm; EMGA-60-P-...-EAS, EMGC-60-P: 14 mm

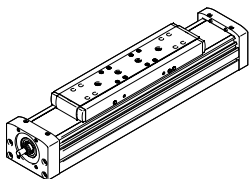
**Note**

Clamping element EADT for adjusting the toothed belt pretension for EAMM-U-110 and EAMM-U-145 → page 41.



Product range overview

Permissible axis/motor combinations with spindle axis ELGA-BS



- The kit can be mounted in all directions
- To support the axis shaft, a counter bearing EAMG and a clamping sleeve EAMH-...-P with integrated trunnion are included in the scope of delivery for the parallel kit
- Table of interfaces for third-party motors → from page 60

Motor/gear unit ¹⁾	Motor interface	Parallel kit	
Type		Part no.	Type
ELGA-BS-...-70			
With servo motor			
EMME-AS-40-...	40P	★ 2155239	EAMM-U-50-S38-40P-78
Third-party motor	40A	1217708	EAMM-U-50-S38-40A-78
Third-party motor	55A	1218538	EAMM-U-60-S38-55A-91
Third-party motor	38AA	8058926	EAMM-U-50-S38-38AA-78
Third-party motor	40R	8058943	EAMM-U-60-S38-40R-91
Third-party motor	58AA	8058947	EAMM-U-60-S38-58AA-91
Third-party motor	60P	8125092	EAMM-U-60-S38-60P-91
Third-party motor	60RA	8058948	EAMM-U-60-S38-60RA-91
Third-party motor	67A	1577408	EAMM-U-60-S38-67A-91
With stepper motor			
EMMS-ST-42-...	42A	★ 1217945	EAMM-U-50-S38-42A-78
EMMS-ST-57-...	57A	★ 1218568	EAMM-U-60-S38-57A-91
Third-party motor	57AC	8058946	EAMM-U-60-S38-57AC-91
With gear unit			
EMGA-40-P-...	40G	2283732	EAMM-U-60-S38-40G-91
EMGC-40-P-...	40G	2283732	EAMM-U-60-S38-40G-91
Third-party gear unit	50GA	8107724	EAMM-U-60-S38-50GA-91
ELGA-BS-...-80			
With servo motor			
Third-party motor	55A	1219370	EAMM-U-60-S48-55A-91
EMMT-AS-60-..., EMME-AS-60-..., third-party motor	60P	★ 2629253	EAMM-U-70-S48-60P-96
Third-party motor	60R	8105843	EAMM-U-70-S48-60R-96
Third-party motor	70A	2787320	EAMM-U-70-S48-70A-96
EMMT-AS-60-..., EMME-AS-60-..., third-party motor	60P	8058996	EAMM-U-86-S48-60P-102
Third-party motor	70A	1217689	EAMM-U-86-S48-70A-102
Third-party motor	40R	8058949	EAMM-U-60-S48-40R-91
Third-party motor	58AA	8058950	EAMM-U-60-S48-58AA-91
Third-party motor	60RA	8058969	EAMM-U-70-S48-60RA-96
Third-party motor	70AB	8058970	EAMM-U-70-S48-70AB-96
Third-party motor	58AA	8058995	EAMM-U-86-S48-58AA-102
Third-party motor	60RB	8058997	EAMM-U-86-S48-60RB-102
Third-party motor	70AA	8058999	EAMM-U-86-S48-70AA-102
Third-party motor	82AA	8059002	EAMM-U-86-S48-82AA-102
Third-party motor	84AA	8059003	EAMM-U-86-S48-84AA-102
Third-party motor	58AA	8059008	EAMM-U-86-S48-58AA-177

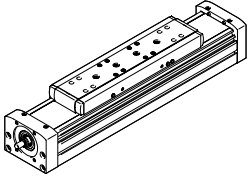
1) The input torque must not exceed the max. permissible transferable torque of the parallel kit.
 2) Gear unit output shaft diameter: EMGA-60-P-...-SAS/SST: 11 mm; EMGA-60-P-...-EAS, EMGC-60-P: 14 mm

Festo core product range

- ★ Generally ready for shipping ex works in 24 hours
- ★ Generally ready for shipping ex works in 5 days

Product range overview

Permissible axis/motor combinations with spindle axis ELGA-BS



- The kit can be mounted in all directions
- To support the axis shaft, a counter bearing EAMG and a clamping sleeve EAMH-...-P with integrated trunnion are included in the scope of delivery for the parallel kit
- Table of interfaces for third-party motors → from page 60

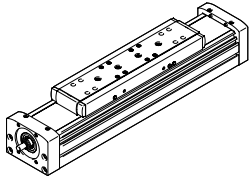
Motor/gear unit ¹⁾ Type	Motor interface	Parallel kit	
		Part no.	Type
ELGA-BS-...-80			
EMMT-AS-60-..., EMME-AS-60-..., third-party motor	60P	8059011	EAMM-U-86-S48-60P-177
Third-party motor	70A	8059016	EAMM-U-86-S48-70A-177
Third-party motor	60PA	8059012	EAMM-U-86-S48-60PA-177
Third-party motor	60RB	8059014	EAMM-U-86-S48-60RB-177
Third-party motor	70AA, 70AB	8059017	EAMM-U-86-S48-70AA-177
Third-party motor	82AA	8059021	EAMM-U-86-S48-82AA-177
Third-party motor	84AA	8059022	EAMM-U-86-S48-84AA-177
With stepper motor			
EMMS-ST-57-...	57A	1219379	EAMM-U-60-S48-57A-91
Third-party motor	60AA	8105898	EAMM-U-60-S48-60AA-91
EMMS-ST-87-..., third-party motor	87A	8059004	EAMM-U-86-S48-87A-102
EMMS-ST-87-..., third-party motor	87A	1217604	EAMM-U-86-S48-87A-177
With gear unit			
EMGA-40-P-...	40G	2283760	EAMM-U-60-S48-40G-91
EMGC-40-P-...	40G	2283760	EAMM-U-60-S48-40G-91
Third-party gear unit	50GA	8105900	EAMM-U-60-S48-50GA-91
EMGA-60-P-...-SAS/SST ²⁾	60G	2283760	EAMM-U-70-S48-60G-96
EMGA-60-P-...-EAS, EMGC-60-P-... ²⁾ , third-party gear unit	60H	2801715	EAMM-U-70-S48-60H-96
EMGA-60-P-...-SAS/SST ²⁾	60G	1587251	EAMM-U-86-S48-60G-102
EMGA-60-P-...-EAS, EMGC-60-P-... ²⁾ , third-party gear unit	60H	1587338	EAMM-U-86-S48-60H-102
Third-party gear unit	60G	8059009	EAMM-U-86-S48-60G-177
Third-party gear unit	70GA	8059000	EAMM-U-86-S48-70GA-102
Third-party gear unit	70GA	8059019	EAMM-U-86-S48-70GA-177
ELGA-BS-...-120			
With servo motor			
Third-party motor	55A	8059033	EAMM-U-86-S62-55A-177
Third-party motor	70A	8059027	EAMM-U-86-S62-70A-102
Third-party motor	70A	1217543	EAMM-U-86-S62-70A-177
Third-party motor	60PA	8059026	EAMM-U-86-S62-60PA-102
Third-party motor	60PA	8059034	EAMM-U-86-S62-60PA-177
Third-party motor	70AA, 70AB	8059028	EAMM-U-86-S62-70AA-102
Third-party motor	80PB	8105905	EAMM-U-86-S62-80PB-177
Third-party motor	82AA	8059031	EAMM-U-86-S62-82AA-102

1) The input torque must not exceed the max. permissible transferable torque of the parallel kit.

2) Gear unit output shaft diameter: EMGA-60-P-...-SAS/SST: 11 mm; EMGA-60-P-...-EAS, EMGC-60-P: 14 mm

Product range overview

Permissible axis/motor combinations with spindle axis ELGA-BS




- The kit can be mounted in all directions
- To support the axis shaft, a counter bearing EAMG and a clamping sleeve EAMH-...-P with integrated trunnion are included in the scope of delivery for the parallel kit
- Table of interfaces for third-party motors → from page 60

Motor/gear unit ¹⁾ Type	Motor interface	Parallel kit	
		Part no.	Type
ELGA-BS-...-120			
EMME-AS-80-...	80P	★ 2157004	EAMM-U-86-S62-80P-177
EMMT-AS-100-..., EMME-AS-100-...	100A	★ 1217381	EAMM-U-110-S62-100A-207
EMMS-AS-140-...	140A	★ 1219440	EAMM-U-145-S62-140A-288
Third-party motor	70AA, 70AB	8059036	EAMM-U-86-S62-70AA-177
Third-party motor	82AA	8059038	EAMM-U-86-S62-82AA-177
Third-party motor	84AA	8059051	EAMM-U-110-S62-84AA-120
Third-party motor	88A	8059052	EAMM-U-110-S62-88A-120
Third-party motor	84AA	8059057	EAMM-U-110-S62-84AA-207
Third-party motor	88A	8059058	EAMM-U-110-S62-88A-207
Third-party motor	126AA	8059073	EAMM-U-145-S62-126AA-288
With stepper motor			
EMMS-ST-87-..., third-party motor	87A	★ 1217373	EAMM-U-86-S62-87A-177
EMMS-ST-87-..., third-party motor	87A	8059032	EAMM-U-86-S62-87A-102
With gear unit			
EMGA-60-P-...-SAS/SST ²⁾	60G	1587411	EAMM-U-86-S62-60G-177
EMGA-60-P-...-EAS, EMGC-60-P-... ²⁾ , third-party gear unit	60H	1587453	EAMM-U-86-S62-60H-177
Third-party gear unit	70GA	8105902	EAMM-U-86-S62-70GA-177
ELGA-BS-...-150			
With servo motor			
Third-party motor	84AA	8059063	EAMM-U-110-S95-84AA-207
EMMT-AS-100-..., EMME-AS-100-...	100A	1220656	EAMM-U-110-S95-100A-207
EMMS-AS-140-...	140A	1220582	EAMM-U-145-S95-140A-288
With gear unit			
EMGA-80-P-...	80G	1589544	EAMM-U-110-S95-80G-207
Third-party gear unit	90GA	8105907	EAMM-U-110-S95-90GA-207

1) The input torque must not exceed the max. permissible transferable torque of the parallel kit.

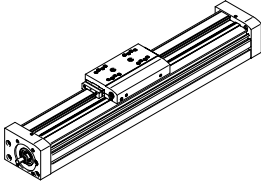
2) Gear unit output shaft diameter: EMGA-60-P-...-SAS/SST: 11 mm; EMGA-60-P-...-EAS, EMGC-60-P: 14 mm

 **Note**

Clamping element EADT for adjusting the toothed belt pretension for EAMM-U-110 and EAMM-U-145 → page 41.

Product range overview

Permissible axis/motor combinations with spindle axis EGC-BS



- The kit can be mounted in all directions
- To support the axis shaft, a counter bearing EAMG and a clamping sleeve EAMH-...-P with integrated trunnion are included in the scope of delivery for the parallel kit
- Table of interfaces for third-party motors → from page 60

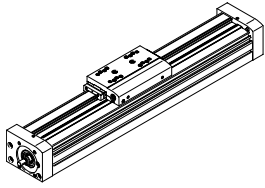
Motor/gear unit ¹⁾ Type	Motor interface	Parallel kit	
		Part no.	Type
EGC-70-...-BS			
With servo motor			
EMME-AS-40-...	40P	★ 2155239	EAMM-U-50-S38-40P-78
Third-party motor	40A	1217708	EAMM-U-50-S38-40A-78
Third-party motor	55A	1218538	EAMM-U-60-S38-55A-91
Third-party motor	60P	8125092	EAMM-U-60-S38-60P-91
Third-party motor	38AA	8058926	EAMM-U-50-S38-38AA-78
Third-party motor	40R	8058943	EAMM-U-60-S38-40R-91
Third-party motor	58AA	8058947	EAMM-U-60-S38-58AA-91
Third-party motor	60RA	8058948	EAMM-U-60-S38-60RA-91
With stepper motor			
EMMS-ST-42-...	42A	★ 1217945	EAMM-U-50-S38-42A-78
EMMS-ST-57-...	57A	★ 1218568	EAMM-U-60-S38-57A-91
Third-party motor	57AC	8058946	EAMM-U-60-S38-57AC-91
With gear unit			
EMGA-40-P-...	40G	2283732	EAMM-U-60-S38-40G-91
EMGC-40-P-...	40G	2283732	EAMM-U-60-S38-40G-91
Third-party gear unit	50GA	8107724	EAMM-U-60-S38-50GA-91
EGC-80-...-BS			
With servo motor			
Third-party motor	55A	1219370	EAMM-U-60-S48-55A-91
EMMT-AS-60-..., EMME-AS-60-..., third-party motor	60P	★ 2629253	EAMM-U-70-S48-60P-96
EMMT-AS-60-..., EMME-AS-60-..., third-party motor	60P	8058996	EAMM-U-86-S48-60P-102
Third-party motor	60R	8105843	EAMM-U-70-S48-60R-96
Third-party motor	70A	2787320	EAMM-U-70-S48-70A-96
Third-party motor	70A	1217689	EAMM-U-86-S48-70A-102
Third-party motor	40R	8058949	EAMM-U-60-S48-40R-91
Third-party motor	58AA	8058950	EAMM-U-60-S48-58AA-91
Third-party motor	60RA	8058969	EAMM-U-70-S48-60RA-96
Third-party motor	70AB	8058970	EAMM-U-70-S48-70AB-96
Third-party motor	58AA	8058995	EAMM-U-86-S48-58AA-102
Third-party motor	60RB	8058997	EAMM-U-86-S48-60RB-102
Third-party motor	70AA	8058999	EAMM-U-86-S48-70AA-102
Third-party motor	82AA	8059002	EAMM-U-86-S48-82AA-102
Third-party motor	84AA	8059003	EAMM-U-86-S48-84AA-102
Third-party motor	58AA	8059008	EAMM-U-86-S48-58AA-177

1) The input torque must not exceed the max. permissible transferable torque of the parallel kit.
 2) Gear unit output shaft diameter: EMGA-60-P-...SAS/SST: 11 mm; EMGA-60-P-...EAS, EMGC-60-P: 14 mm

Festo core product range ★ Generally ready for shipping ex works in 24 hours
 ★ Generally ready for shipping ex works in 5 days

Product range overview

Permissible axis/motor combinations with spindle axis EGC-BS



- The kit can be mounted in all directions
- To support the axis shaft, a counter bearing EAMG and a clamping sleeve EAMH-...-P with integrated trunnion are included in the scope of delivery for the parallel kit
- Table of interfaces for third-party motors → from page 60

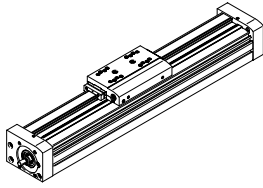
Motor/gear unit ¹⁾ Type	Motor interface	Parallel kit	
		Part no.	Type
EGC-80-...-BS			
EMMT-AS-60-..., EMME-AS-60-..., third-party motor	60P	8059011	EAMM-U-86-S48-60P-177
Third-party motor	70A	8059016	EAMM-U-86-S48-70A-177
Third-party motor	60PA	8059012	EAMM-U-86-S48-60PA-177
Third-party motor	60RB	8059014	EAMM-U-86-S48-60RB-177
Third-party motor	70AA, 70AB	8059017	EAMM-U-86-S48-70AA-177
Third-party motor	82AA	8059021	EAMM-U-86-S48-82AA-177
Third-party motor	84AA	8059022	EAMM-U-86-S48-84AA-177
With stepper motor			
EMMS-ST-57-...	57A	1219379	EAMM-U-60-S48-57A-91
Third-party motor	60AA	8105898	EAMM-U-60-S48-60AA-91
EMMS-ST-87-..., third-party motor	87A	8059004	EAMM-U-86-S48-87A-102
EMMS-ST-87-..., third-party motor	87A	1217604	EAMM-U-86-S48-87A-177
With gear unit			
EMGA-40-P-...	40G	2283760	EAMM-U-60-S48-40G-91
EMGC-40-P-...	40G	2283760	EAMM-U-60-S48-40G-91
Third-party gear unit	50GA	8105900	EAMM-U-60-S48-50GA-91
EMGA-60-P-...-SAS/SST ²⁾	60G	2283760	EAMM-U-70-S48-60G-96
EMGA-60-P-...-EAS, EMGC-60-P-... ²⁾ , third-party gear unit	60H	2801715	EAMM-U-70-S48-60H-96
EMGA-60-P-...-SAS/SST ²⁾	60G	1587251	EAMM-U-86-S48-60G-102
EMGA-60-P-...-EAS, EMGC-60-P-... ²⁾ , third-party gear unit	60H	1587338	EAMM-U-86-S48-60H-102
Third-party gear unit	60G	8059009	EAMM-U-86-S48-60G-177
Third-party gear unit	70GA	8059000	EAMM-U-86-S48-70GA-102
Third-party gear unit	70GA	8059019	EAMM-U-86-S48-70GA-177
EGC-120-...-BS			
With servo motor			
Third-party motor	55A	8059033	EAMM-U-86-S62-55A-177
Third-party motor	70A	8059027	EAMM-U-86-S62-70A-102
Third-party motor	70A	1217543	EAMM-U-86-S62-70A-177
Third-party motor	60PA	8059026	EAMM-U-86-S62-60PA-102
Third-party motor	70AA, 70AB	8059028	EAMM-U-86-S62-70AA-102
Third-party motor	80PB	8105905	EAMM-U-86-S62-80PB-177
Third-party motor	82AA	8059031	EAMM-U-86-S62-82AA-102
Third-party motor	60PA	8059034	EAMM-U-86-S62-60PA-177

1) The input torque must not exceed the max. permissible transferable torque of the parallel kit.

2) Gear unit output shaft diameter: EMGA-60-P-...-SAS/SST: 11 mm; EMGA-60-P-...-EAS, EMGC-60-P: 14 mm

Product range overview

Permissible axis/motor combinations with spindle axis EGC-BS

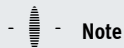


- The kit can be mounted in all directions
- To support the axis shaft, a counter bearing EAMG and a clamping sleeve EAMH-...-P with integrated trunnion are included in the scope of delivery for the parallel kit
- Table of interfaces for third-party motors → from page 60

Motor/gear unit ¹⁾ Type	Motor interface	Parallel kit	
		Part no.	Type
EGC-120-...-BS			
EMME-AS-80-...	80P	★ 2157004	EAMM-U-86-S62-80P-177
EMMT-AS-100-..., EMME-AS-100-...	100A	★ 1217381	EAMM-U-110-S62-100A-207
EMMS-AS-140-...	140A	★ 1219440	EAMM-U-145-S62-140A-288
Third-party motor	70AA, 70AB	8059036	EAMM-U-86-S62-70AA-177
Third-party motor	82AA	8059038	EAMM-U-86-S62-82AA-177
Third-party motor	84AA	8059051	EAMM-U-110-S62-84AA-120
Third-party motor	88A	8059052	EAMM-U-110-S62-88A-120
Third-party motor	84AA	8059057	EAMM-U-110-S62-84AA-207
Third-party motor	88A	8059058	EAMM-U-110-S62-88A-207
Third-party motor	126AA	8059073	EAMM-U-145-S62-126AA-288
With stepper motor			
EMMS-ST-87-..., third-party motor	87A	8059032	EAMM-U-86-S62-87A-102
EMMS-ST-87-..., third-party motor	87A	★ 1217373	EAMM-U-86-S62-87A-177
With gear unit			
EMGA-60-P-...-SAS/SST ²⁾	60G	1587411	EAMM-U-86-S62-60G-177
EMGA-60-P-...-EAS, EMGC-60-P-... ²⁾ , third-party gear unit	60H	1587453	EAMM-U-86-S62-60H-177
Third-party gear unit	70GA	8105902	EAMM-U-86-S62-70GA-177
EGC-185-...-BS			
With servo motor			
Third-party motor	84AA	8059063	EAMM-U-110-S95-84AA-207
EMMT-AS-100-..., EMME-AS-100-...	100A	1220656	EAMM-U-110-S95-100A-207
EMMS-AS-140-...	140A	1220582	EAMM-U-145-S95-140A-288
With gear unit			
EMGA-80-P-...	80G	1589544	EAMM-U-110-S95-80G-207
Third-party gear unit	90GA	8105907	EAMM-U-110-S95-90GA-207

1) The input torque must not exceed the max. permissible transferable torque of the parallel kit.

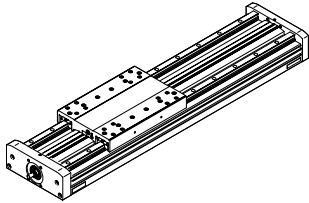
2) Gear unit output shaft diameter: EMGA-60-P-...-SAS/SST: 11 mm; EMGA-60-P-...-EAS, EMGC-60-P: 14 mm

**Note**

Clamping element EADT for adjusting the toothed belt pretension for EAMM-U-110 and EAMM-U-145 → page 41.

Product range overview

Permissible axis/motor combinations with spindle axis with heavy-duty guide EGC-HD-BS



- To support the axis shaft, a counter bearing EAMG and a clamping sleeve EAMH-...-P with integrated trunnion are included in the scope of delivery for the parallel kit
- Table of interfaces for third-party motors → from page 60

Motor/gear unit ¹⁾	Motor interface	Parallel kit	
		Part no.	Type
EGC-HD-125-...-BS			
With servo motor			
EMME-AS-40-...	40P	★ 2155239	EAMM-U-50-S38-40P-78
Third-party motor	40A	1217708	EAMM-U-50-S38-40A-78
Third-party motor	55A	1218538	EAMM-U-60-S38-55A-91
Third-party motor	60P	8125092	EAMM-U-60-S38-60P-91
Third-party motor	38AA	8058926	EAMM-U-50-S38-38AA-78
Third-party motor	40R	8058943	EAMM-U-60-S38-40R-91
Third-party motor	58AA	8058947	EAMM-U-60-S38-58AA-91
Third-party motor	60RA	8058948	EAMM-U-60-S38-60RA-91
With stepper motor			
EMMS-ST-42-...	42A	★ 1217945	EAMM-U-50-S38-42A-78
EMMS-ST-57-...	57A	★ 1218568	EAMM-U-60-S38-57A-91
Third-party motor	57AC	8058946	EAMM-U-60-S38-57AC-91
With gear unit			
EMGA-40-P-...	40G	2283732	EAMM-U-60-S38-40G-91
EMGC-40-P-...	40G	2283732	EAMM-U-60-S38-40G-91
Third-party gear unit	50GA	8107724	EAMM-U-60-S38-50GA-91
EGC-HD-160-...-BS			
With servo motor			
Third-party motor	55A	1219370	EAMM-U-60-S48-55A-91
EMMT-AS-60-..., EMME-AS-60-..., third-party motor	60P	★ 2629253	EAMM-U-70-S48-60P-96
EMMT-AS-60-..., EMME-AS-60-..., third-party motor	60P	8058996	EAMM-U-86-S48-60P-102
Third-party motor	60R	8105843	EAMM-U-70-S48-60R-96
Third-party motor	70A	2787320	EAMM-U-70-S48-70A-96
Third-party motor	70A	1217689	EAMM-U-86-S48-70A-102
Third-party motor	40R	8058949	EAMM-U-60-S48-40R-91
Third-party motor	58AA	8058950	EAMM-U-60-S48-58AA-91
Third-party motor	60RA	8058969	EAMM-U-70-S48-60RA-96
Third-party motor	70AB	8058970	EAMM-U-70-S48-70AB-96
Third-party motor	58AA	8058995	EAMM-U-86-S48-58AA-102
Third-party motor	60RB	8058997	EAMM-U-86-S48-60RB-102
Third-party motor	70AA	8058999	EAMM-U-86-S48-70AA-102
Third-party motor	82AA	8059002	EAMM-U-86-S48-82AA-102
Third-party motor	84AA	8059003	EAMM-U-86-S48-84AA-102
Third-party motor	58AA	8059008	EAMM-U-86-S48-58AA-177
EMMT-AS-60-..., EMME-AS-60-..., third-party motor	60P	8059011	EAMM-U-86-S48-60P-177
Third-party motor	70A	8059016	EAMM-U-86-S48-70A-177
Third-party motor	60PA	8059012	EAMM-U-86-S48-60PA-177
Third-party motor	60RB	8059014	EAMM-U-86-S48-60RB-177
Third-party motor	70AA, 70AB	8059017	EAMM-U-86-S48-70AA-177
Third-party motor	82AA	8059021	EAMM-U-86-S48-82AA-177
Third-party motor	84AA	8059022	EAMM-U-86-S48-84AA-177

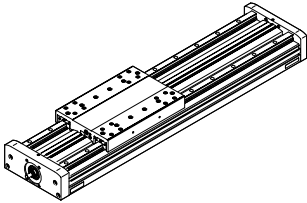
1) The input torque must not exceed the max. permissible transferable torque of the parallel kit.
 2) Gear unit output shaft diameter: EMGA-60-P-...-SAS/SST: 11 mm; EMGA-60-P-...-EAS, EMGC-60-P: 14 mm

Festo core product range

- ★ Generally ready for shipping ex works in 24 hours
- ★ Generally ready for shipping ex works in 5 days

Product range overview

Permissible axis/motor combinations with spindle axis with heavy-duty guide EGC-HD-BS



- To support the axis shaft, a counter bearing EAMG and a clamping sleeve EAMH-...-P with integrated trunnion are included in the scope of delivery for the parallel kit
- Table of interfaces for third-party motors → from page 60

Motor/gear unit ¹⁾ Type	Motor interface	Parallel kit Part no.	Type
EGC-HD-160-...-BS			
With stepper motor			
EMMS-ST-57-...	57A	1219379	EAMM-U-60-S48-57A-91
Third-party motor	60AA	8105898	EAMM-U-60-S48-60AA-91
EMMS-ST-87-..., third-party motor	87A	8059004	EAMM-U-86-S48-87A-102
EMMS-ST-87-..., third-party motor	87A	1217604	EAMM-U-86-S48-87A-177
With gear unit			
EMGA-40-P-...	40G	2283760	EAMM-U-60-S48-40G-91
EMGC-40-P-...	40G	2283760	EAMM-U-60-S48-40G-91
Third-party gear unit	50GA	8105900	EAMM-U-60-S48-50GA-91
EMGA-60-P-...-SAS/SST ²⁾	60G	2283760	EAMM-U-70-S48-60G-96
EMGA-60-P-...-EAS, EMGC-60-P-... ²⁾ , third-party gear unit	60H	2801715	EAMM-U-70-S48-60H-96
EMGA-60-P-...-SAS/SST ²⁾	60G	1587251	EAMM-U-86-S48-60G-102
EMGA-60-P-...-EAS, EMGC-60-P-... ²⁾ , third-party gear unit	60H	1587338	EAMM-U-86-S48-60H-102
Third-party gear unit	60G	8059009	EAMM-U-86-S48-60G-177
Third-party gear unit	70GA	8059000	EAMM-U-86-S48-70GA-102
Third-party gear unit	70GA	8059019	EAMM-U-86-S48-70GA-177
EGC-HD-220-...-BS			
With servo motor			
Third-party motor	55A	8059033	EAMM-U-86-S62-55A-177
Third-party motor	70A	8059027	EAMM-U-86-S62-70A-102
Third-party motor	70A	1217543	EAMM-U-86-S62-70A-177
Third-party motor	60PA	8059026	EAMM-U-86-S62-60PA-102
Third-party motor	70AA, 70AB	8059028	EAMM-U-86-S62-70AA-102
Third-party motor	80PB	8105905	EAMM-U-86-S62-80PB-177
Third-party motor	82AA	8059031	EAMM-U-86-S62-82AA-102
Third-party motor	60PA	8059034	EAMM-U-86-S62-60PA-177
EMME-AS-80-...	80P	★ 2157004	EAMM-U-86-S62-80P-177
EMMT-AS-100-..., EMME-AS-100-...	100A	★ 1217381	EAMM-U-110-S62-100A-207
EMMS-AS-140-...	140A	★ 1219440	EAMM-U-145-S62-140A-288

1) The input torque must not exceed the max. permissible transferable torque of the parallel kit.

2) Gear unit output shaft diameter: EMGA-60-P-...-SAS/SST: 11 mm; EMGA-60-P-...-EAS, EMGC-60-P: 14 mm

Festo core product range

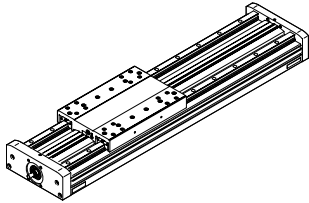


Generally ready for shipping ex works in 24 hours

Generally ready for shipping ex works in 5 days

Product range overview

Permissible axis/motor combinations with spindle axis with heavy-duty guide EGC-HD-BS



- To support the axis shaft, a counter bearing EAMG and a clamping sleeve EAMH-...-P with integrated trunnion are included in the scope of delivery for the parallel kit
- Table of interfaces for third-party motors → from page 60

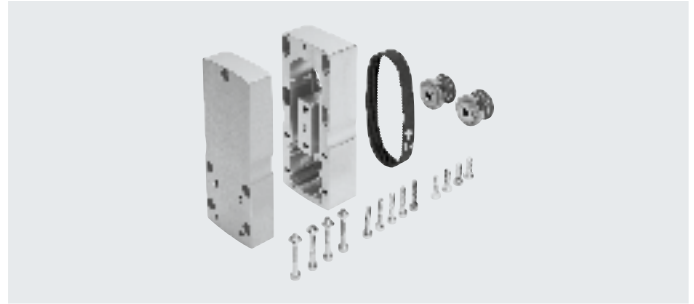
Motor/gear unit ¹⁾ Type	Motor interface	Parallel kit Part no.	Type
EGC-HD-220-...-BS			
With servo motor			
Third-party motor	70AA	8059036	EAMM-U-86-S62-70AA-177
Third-party motor	70AB	8059037	EAMM-U-86-S62-70AB-177
Third-party motor	82AA	8059038	EAMM-U-86-S62-82AA-177
Third-party motor	84AA	8059051	EAMM-U-110-S62-84AA-120
Third-party motor	88A	8059052	EAMM-U-110-S62-88A-120
Third-party motor	84AA	8059057	EAMM-U-110-S62-84AA-207
Third-party motor	88A	8059058	EAMM-U-110-S62-88A-207
Third-party motor	126AA	8059073	EAMM-U-145-S62-126AA-288
With stepper motor			
EMMS-ST-87-..., third-party motor	87A	★ 1217373	EAMM-U-86-S62-87A-177
EMMS-ST-87-..., third-party motor	87A	8059032	EAMM-U-86-S62-87A-102
With gear unit			
EMGA-60-P-...-SAS/SST ²⁾	60G	1587411	EAMM-U-86-S62-60G-177
EMGA-60-P-...-EAS, EMGC-60-P-... ²⁾ , third-party gear unit	60H	1587453	EAMM-U-86-S62-60H-177
Third-party gear unit	70GA	8105902	EAMM-U-86-S62-70GA-177

1) The input torque must not exceed the max. permissible transferable torque of the parallel kit.

2) Gear unit output shaft diameter: EMGA-60-P-...-SAS/SST: 11 mm; EMGA-60-P-...-EAS, EMGC-60-P-: 14 mm

Data sheet

- Material:
- Housing: Wrought aluminium alloy
- Clamping sleeve, toothed belt pulley: Corrosion-resistant steel
- Toothed belt: Polychloroprene
- Screws: Galvanised steel



General technical data							
Type	For axis	Transferable torque [Nm]	Mass moment of inertia [kgmm ²]	Max. rotational speed [rpm]	No-load driving torque [Nm]	Weight [g]	→ Page
EAMM-U-50-D19-38AA-78	EGSL	1	12.1	6000	0.01	600	28
EAMM-U-50-D19-40R-78	EGSL					600	
EAMM-U-50-D32-32B-78	ESBF, EGSL					608	28, 34
EAMM-U-50-D32-38AA-78	ESBF, EGSL					600	
EAMM-U-50-D32-40A-78	ESBF, EGSL					600	
EAMM-U-50-D32-40A-78-S1	ESBF					620	
EAMM-U-50-D32-40P-78	ESBF, EGSL					596	
EAMM-U-50-D32-40P-78-S1	ESBF					610	
EAMM-U-50-D32-40RA-78	ESBF, EGSL					600	
EAMM-U-50-D32-42A-78	ESBF, EGSL					610	
EAMM-U-50-D32-42A-78-S1	ESBF	630					
EAMM-U-60-D32-40G-91	ESBF, EGSL	3	26.7	6000	0.07	1100	
EAMM-U-60-D32-40G-91-S1	ESBF					1140	
EAMM-U-60-D32-42B/C-91	ESBF, EGSL					1100	
EAMM-U-60-D32-42B/C-91-S1	ESBF					1140	
EAMM-U-60-D32-55A-91	ESBF, EGSL					1050	
EAMM-U-60-D32-55A-91-S1	ESBF					1100	
EAMM-U-60-D32-57A-91	ESBF, EGSL					1160	
EAMM-U-60-D32-57A-91-S1	ESBF					1190	
EAMM-U-60-D32-57AC-91	ESBF, EGSL					1150	
EAMM-U-60-D32-58AA-91	ESBF, EGSL					1150	
EAMM-U-60-D32-60AA-91	ESBF, EGSL					1150	
EAMM-U-60-D32-60P-91	ESBF, EGSL					1150	
EAMM-U-60-D32-60RA-91	ESBF, EGSL					1150	
EAMM-U-60-D32-60RB-91	ESBF, EGSL					1150	
EAMM-U-60-D40-40G-91	ESBF, EGSL					1080	
EAMM-U-60-D40-40G-91-S1	ESBF					1130	
EAMM-U-60-D40-40R-91	ESBF, EGSL					1150	
EAMM-U-60-D40-42B/C-91	ESBF, EGSL					1080	
EAMM-U-60-D40-42B/C-91-S1	ESBF					1130	
EAMM-U-60-D40-50GA-91	ESBF, EGSL					1150	
EAMM-U-60-D40-55A-91	ESBF, EGSL					1040	
EAMM-U-60-D40-55A-91-S1	ESBF					1080	
EAMM-U-60-D40-57A-91	ESBF, EGSL					1140	
EAMM-U-60-D40-57A-91-S1	ESBF					1170	
EAMM-U-60-D40-57AC-91	ESBF, EGSL					1150	
EAMM-U-60-D40-58AA-91	ESBF, EGSL					1150	

Data sheet

General technical data												
Type	For axis	Transferable torque [Nm]	Mass moment of inertia [kgmm ²]	Max. rotational speed [rpm]	No-load driving torque [Nm]	Weight [g]	→ Page					
EAMM-U-70-D32-52B/C-96	ESBF, EGSL	7	118	5000	0.18	1800	28, 34					
EAMM-U-70-D32-52B/C-96-S1	ESBF					1820						
EAMM-U-70-D32-60G-96	ESBF, EGSL					1760						
EAMM-U-70-D32-60G-96-S1	ESBF					1790						
EAMM-U-70-D32-60H-96	ESBF, EGSL					1750						
EAMM-U-70-D32-60H-96-S1	ESBF					1780						
EAMM-U-70-D32-60P-96	ESBF, EGSL					1750						
EAMM-U-70-D32-60P-96-S1	ESBF					1770						
EAMM-U-70-D32-68GA-96	ESBF, EGSL					1800						
EAMM-U-70-D32-70A-96	ESBF, EGSL					1720						
EAMM-U-70-D32-70A-96-S1	ESBF					1750						
EAMM-U-70-D32-70AA-96	ESBF, EGSL					1750						
EAMM-U-70-D40-52B/C-96	ESBF, EGSL					1780						
EAMM-U-70-D40-52B/C-96-S1	ESBF					1800						
EAMM-U-70-D40-60G-96FDGF	ESBF, EGSL					1740						
EAMM-U-70-D40-60G-96-S1	ESBF					1770						
EAMM-U-70-D40-60H-96	ESBF, EGSL					1730						
EAMM-U-70-D40-60H-96-S1	ESBF					1760						
EAMM-U-70-D40-60P-96	ESBF, EGSL					1730						
EAMM-U-70-D40-60P-96-S1	ESBF					1750						
EAMM-U-70-D40-60RA-96	ESBF, EGSL					1800						
EAMM-U-70-D40-68GA-96	ESBF, EGSL					1800						
EAMM-U-70-D40-70A-96	ESBF, EGSL					1700						
EAMM-U-70-D40-70A-96-S1	ESBF					1730						
EAMM-U-70-D50-60P-96	ESBF					1730						
EAMM-U-70-D50-70A-96	ESBF					1700						
EAMM-U-70-D50-70A-96-S1	ESBF					1730						
EAMM-U-70-D50-60RA-96	ESBF, EGSL					1800						
EAMM-U-70-D50-68GA-96	ESBF, EGSL					1800						
EAMM-U-86-D40-52B/C-102	ESBF, EGSL					9.5		175	5000	0.25	2520	28
EAMM-U-86-D40-52B/C-102-S1	ESBF										2540	
EAMM-U-86-D40-60G-102	ESBF, EGSL										2480	
EAMM-U-86-D40-60G-102-S1	ESBF	2500										
EAMM-U-86-D40-60H-102	ESBF, EGSL	2470										
EAMM-U-86-D40-60H-102-S1	ESBF	2490										
EAMM-U-86-D40-60PA-102	ESBF, EGSL	2500										
EAMM-U-86-D40-70A-102	ESBF, EGSL	2450										
EAMM-U-86-D40-70A-102-S1	ESBF	2460										
EAMM-U-86-D40-70AA-102	ESBF, EGSL	2500										
EAMM-U-86-D40-70AB-102	ESBF, EGSL	2500										
EAMM-U-86-D40-80P-102	ESBF, EGSL	2300										
EAMM-U-86-D40-80PB-102	ESBF, EGSL	2300										
EAMM-U-86-D40-80P-102-S1	ESBF	2320										
EAMM-U-86-D40-82AA-102	ESBF, EGSL	2500										
EAMM-U-86-D40-84AA-102	ESBF, EGSL	2500										
EAMM-U-86-D40-87A-102	ESBF, EGSL	2510										
EAMM-U-86-D40-87A-102-S1	ESBF	2530										
EAMM-U-86-D50-80P-102	ESBF	2330										
EAMM-U-86-D50-80PB-102		2330										
EAMM-U-86-D50-80P-102-S1		2350										
EAMM-U-86-D50-87A-102		2550										
EAMM-U-86-D50-87A-102-S1		2560										
EAMM-U-86-D50-60H-102		2500										
EAMM-U-86-D50-60H-102-S1		2520										
EAMM-U-86-D50-60G-102		2510										
EAMM-U-86-D50-60G-102-S1		2530										

Data sheet

General technical data									
Type	For axis	Transferable torque [Nm]	Mass moment of inertia [kgmm ²]	Max. rotational speed [rpm]	No-load driving torque [Nm]	Weight [g]	→ Page		
EAMM-U-86-D60-52B/C-102	ESBF, EGSL	9.5	175	5000	0.25	2520	28, 34		
EAMM-U-86-D60-52B/C-102-S1	ESBF					2540			
EAMM-U-86-D60-55A-102	ESBF, EGSL					2500			
EAMM-U-86-D60-57AA-102	ESBF, EGSL					2500			
EAMM-U-86-D60-58AA-102	ESBF, EGSL					2500			
EAMM-U-86-D60-60G-102	ESBF, EGSL					2480			
EAMM-U-86-D60-60G-102-S1	ESBF					2500			
EAMM-U-86-D60-60H-102	ESBF, EGSL					2470			
EAMM-U-86-D60-60H-102-S1	ESBF					2490			
EAMM-U-86-D60-60P-102	ESBF, EGSL					2500			
EAMM-U-86-D60-60PA-102	ESBF, EGSL					2500			
EAMM-U-86-D60-60RB-102	ESBF, EGSL					2500			
EAMM-U-86-D60-70A-102	ESBF, EGSL					2440			
EAMM-U-86-D60-70A-102-S1	ESBF					2460			
EAMM-U-86-D60-70AA-102	ESBF, EGSL					2500			
EAMM-U-86-D60-70AB-102	ESBF, EGSL					2500			
EAMM-U-86-D60-70GA-102	ESBF, EGSL					2500			
EAMM-U-86-D60-80P-102	ESBF, EGSL					2300			
EAMM-U-86-D60-80PB-102	ESBF, EGSL					2300			
EAMM-U-86-D60-80P-102-S1	ESBF					2320			
EAMM-U-86-D60-82AA-102	ESBF, EGSL					2500			
EAMM-U-86-D60-84AA-102	ESBF, EGSL					2500			
EAMM-U-86-D60-87A-102	ESBF, EGSL					2510			
EAMM-U-86-D60-87A-102-S1	ESBF	2520							
EAMM-U-110-D50-100A-120	ESBF	25	799	5000	0.3	4990	28		
EAMM-U-110-D50-100A-120-S1						5050			
EAMM-U-110-D50-60H-120						5280			
EAMM-U-110-D50-60H-120-S1						5310			
EAMM-U-110-D50-60G-120						5290			
EAMM-U-110-D50-60G-120-S1						5320			
EAMM-U-110-D50-80G-120						5160			
EAMM-U-110-D50-84AA-120									
EAMM-U-110-D50-80G-120-S1						5220			
EAMM-U-110-D50-120GA-120						ESBF, EGSL		5250	
EAMM-U-110-D60-60G-120						ESBF, EGSL		5250	28, 34
EAMM-U-110-D60-60G-120-S1						ESBF		5080	
EAMM-U-110-D60-60H-120						ESBF, EGSL		5240	
EAMM-U-110-D60-60H-120-S1						ESBF		5270	
EAMM-U-110-D60-62B-120						ESBF, EGSL		5230	
EAMM-U-110-D60-62B-120-S1						ESBF		5270	
EAMM-U-110-D60-80G-120						ESBF, EGSL		5120	
EAMM-U-110-D60-80G-120-S1	ESBF	5180							
EAMM-U-110-D60-84AA-120	ESBF	5250							
EAMM-U-110-D60-88A-120	ESBF	5250							
EAMM-U-110-D60-90GA-120	ESBF	5250							
EAMM-U-110-D60-100A-120	ESBF, EGSL	4950							
EAMM-U-110-D60-100A-120-S1	ESBF	5020							
EAMM-U-110-D80-80G-120	ESBF	5240	28, 34						
EAMM-U-110-D80-80G-120-S1		5310							
EAMM-U-110-D80-120GA-120	ESBF, EGSL	5250							
EAMM-U-110-D80-100A-120	ESBF	5070							
EAMM-U-110-D80-100A-120-S1		5140							
EAMM-U-145-D80-126AA-188	ESBF, EGSL	50	2270	4000	2.0	12000			
EAMM-U-145-D80-90GA-188						12000			

Data sheet

General technical data													
Type	For axis	Transferable torque [Nm]	Mass moment of inertia [kgmm ²]	Max. rotational speed [rpm]	No-load driving torque [Nm]	Weight [g]	→ Page						
EAMM-U-145-D80-140A-188	ESBF	50	2270	4000	2.0	11900	28						
EAMM-U-145-D80-140A-188-S1						12100							
EAMM-U-145-D100-120G-188						12000							
EAMM-U-145-D100-120G-188-S1						12100							
EAMM-U-145-D100-140A-188						11800							
EAMM-U-145-D100-140A-188-S1						11900							
EAMM-U-50-S38-38AA-78	ELGA-BS, EGC-BS, EGC-HD-BS	1	12.1	6000	0.01	600	38						
EAMM-U-50-S38-40A-78						580							
EAMM-U-50-S38-40P-78						577							
EAMM-U-50-S38-42A-78						590							
EAMM-U-60-S38-40G-91	ELGA-BS, EGC-BS, EGC-HD-BS	3	26.7	6000	0.07	1040	38						
EAMM-U-60-S38-40R-91						1150							
EAMM-U-60-S38-55A-91						990							
EAMM-U-60-S38-57A-91						1090							
EAMM-U-60-S38-57AC-91						1150							
EAMM-U-60-S38-58AA-91						1150							
EAMM-U-60-S38-50GA-91						1150							
EAMM-U-60-S38-60P-91						1150							
EAMM-U-60-S38-60RA-91						1150							
EAMM-U-60-S48-40G-91						1110							
EAMM-U-60-S48-40R-91						1150							
EAMM-U-60-S48-50GA-91						1150							
EAMM-U-60-S48-55A-91						1060							
EAMM-U-60-S48-57A-91						1160							
EAMM-U-60-S48-58AA-91						1150							
EAMM-U-60-S48-60AA-91						1150							
EAMM-U-70-S48-60G-96						ELGA-BS, EGC-BS, EGC-HD-BS		7	118	5000	0.18	1780	38
EAMM-U-70-S48-60H-96												1780	
EAMM-U-70-S48-60P-96												1790	
EAMM-U-70-S48-60R-96												1790	
EAMM-U-70-S48-60RA-96	1800												
EAMM-U-70-S48-70A-96	1750												
EAMM-U-70-S48-70AB-96	1150												
EAMM-U-86-S48-58AA-102	ELGA-BS, EGC-BS, EGC-HD-BS	9.5	175	5000	0.25	2500	38						
EAMM-U-86-S48-60G-102						2480							
EAMM-U-86-S48-60H-102						2470							
EAMM-U-86-S48-60P-102						2500							
EAMM-U-86-S48-60RB-102						2500							
EAMM-U-86-S48-70A-102						2440							
EAMM-U-86-S48-70AA-102						2500							
EAMM-U-86-S48-70GA-102						2500							
EAMM-U-86-S48-82AA-102						2500							
EAMM-U-86-S48-84AA-102						2500							
EAMM-U-86-S48-87A-102						2500							
EAMM-U-86-S48-58AA-177						3300							
EAMM-U-86-S48-60G-177						3300							
EAMM-U-86-S48-60P-177						3300							
EAMM-U-86-S48-60PA-177						3300							
EAMM-U-86-S48-60PB-177						3300							
EAMM-U-86-S48-70A-177						3300							
EAMM-U-86-S48-70AA-177						3300							
EAMM-U-86-S48-70AB-177						3300							
EAMM-U-86-S48-70GA-177						3300							
EAMM-U-86-S48-82AA-177						3300							
EAMM-U-86-S48-84AA-177						3300							

Data sheet

General technical data								
Type	For axis	Transferable torque [Nm]	Mass moment of inertia [kgmm ²]	Max. rotational speed [rpm]	No-load driving torque [Nm]	Weight [g]	→ Page	
EAMM-U-86-S48-87A-177	ELGA-BS, EGC-BS, EGC-HD-BS	9.5	175	5000	0.25	3270	38	
EAMM-U-86-S62-60PA-102						2500		
EAMM-U-86-S62-70A-102						2500		
EAMM-U-86-S62-70AA-102						2500		
EAMM-U-86-S62-70AB-102						2500		
EAMM-U-86-S62-82AA-102						2500		
EAMM-U-86-S62-87A-102						2500		
EAMM-U-86-S62-55A-177						3300		
EAMM-U-86-S62-60G-177						3300		
EAMM-U-86-S62-60H-177						3290		
EAMM-U-86-S62-60PA-177						3300		
EAMM-U-86-S62-70A-177						3270		
EAMM-U-86-S62-70AA-177						3300		
EAMM-U-86-S62-70AB-177						3300		
EAMM-U-86-S62-70GA-177						3300		
EAMM-U-86-S62-80PB-177						3300		
EAMM-U-86-S62-80P-177						3130		
EAMM-U-86-S62-82AA-177						3300		
EAMM-U-86-S62-87A-177						3330		
EAMM-U-110-S62-84AA-120	ELGA-BS, EGC-BS, EGC-HD-BS	25	799	5000	0.3	5250		
EAMM-U-110-S62-88A-120						5250		
EAMM-U-110-S62-84AA-207						6900		
EAMM-U-110-S62-88A-207						6900		
EAMM-U-110-S62-100A-207						6900		
EAMM-U-110-S95-100A-207						EGC-BS		6810
EAMM-U-110-S95-80G-207						6940		
EAMM-U-110-S95-90GA-207						6940		
EAMM-U-110-S95-84AA-207	ELGA-BS, EGC-BS		6900					
EAMM-U-145-S62-126AA-288	ELGA-BS, EGC-BS, EGC-HD-BS	50	2270	4000	2.0	15000		
EAMM-U-145-S62-140A-288						15030		
EAMM-U-145-S95-140A-288						ELGA-BS, EGC-BS		14850

Operating and environmental conditions

Gear ratio		1:1
Ambient temperature	[°C]	-10 ... +60
Storage temperature	[°C]	-25 ... +60
Degree of protection ¹⁾		
EAMM-U-...		IP40
EAMM-U-...-S1		IP65
Relative humidity	[%]	0 ... 95
Corrosion resistance class CRC ²⁾		2
Note on materials		RoHS-compliant

1) Only in combination with attached motor and axis.

2) Corrosion resistance class CRC 2 to Festo standard FN 940070

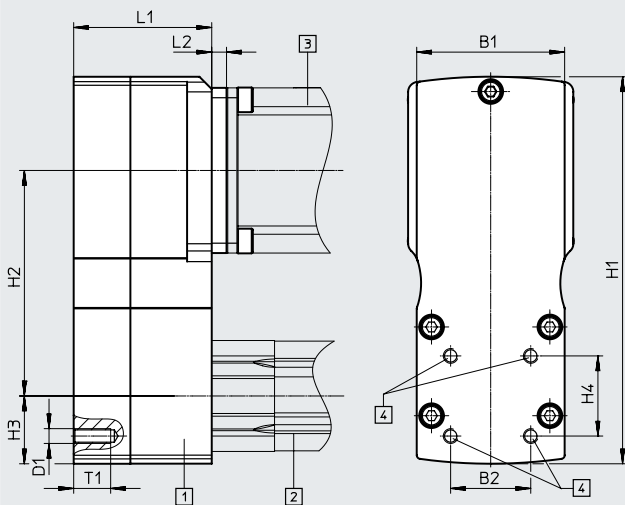
Moderate corrosion stress. Indoor applications in which condensation can occur. External visible parts with primarily decorative surface requirements which are in direct contact with a normal industrial environment.

Data sheet

Dimensions and ordering data

Download CAD data → www.festo.com

ESBF-BS-...



Main illustration:

- [1] Parallel kit
- [2] Electric cylinder
- [3] Motor
- [4] Interface for mounting accessories
- [5] Only with EAMM-U-...-S1 (with degree of protection IP65)

Type	B1	B2	D1	H1	H2 ±1	H3	H4	L1	L2	T1	Part no.	Type								
EAMM-U-50-D32-32B-78	50	32.5	M6	128.8	78	22.8	32.5	45	-	15	1570862	EAMM-U-50-D32-32B-78								
EAMM-U-50-D32-38AA-78											8058924	EAMM-U-50-D32-38AA-78								
EAMM-U-50-D32-40RA-78											8058925	EAMM-U-50-D32-40RA-78								
EAMM-U-50-D32-40A-78											1201591	EAMM-U-50-D32-40A-78								
EAMM-U-50-D32-40A-78-S1											1202302	EAMM-U-50-D32-40A-78-S1								
EAMM-U-50-D32-40P-78											★ 2153283	EAMM-U-50-D32-40P-78								
EAMM-U-50-D32-40P-78-S1											2154009	EAMM-U-50-D32-40P-78-S1								
EAMM-U-50-D32-42A-78											★ 1201607	EAMM-U-50-D32-42A-78								
EAMM-U-50-D32-42A-78-S1											1202312	EAMM-U-50-D32-42A-78-S1								
EAMM-U-60-D32-40G-91											60	32.5	M6	157	91.5	27.5	32.5	56	-	15
EAMM-U-60-D32-40G-91-S1	1577346	EAMM-U-60-D32-40G-91-S1																		
EAMM-U-60-D32-55A-91	1210126	EAMM-U-60-D32-55A-91																		
EAMM-U-60-D32-55A-91-S1	1210450	EAMM-U-60-D32-55A-91-S1																		
EAMM-U-60-D32-57A-91	★ 1210419	EAMM-U-60-D32-57A-91																		
EAMM-U-60-D32-57A-91-S1	1210453	EAMM-U-60-D32-57A-91-S1																		
EAMM-U-60-D32-57AC-91	8058929	EAMM-U-60-D32-57AC-91																		
EAMM-U-60-D32-58AA-91	8058930	EAMM-U-60-D32-58AA-91																		
EAMM-U-60-D32-60RB-91	8058932	EAMM-U-60-D32-60RB-91																		
EAMM-U-60-D32-60AA-91	8123498	EAMM-U-60-D32-60AA-91																		
EAMM-U-60-D32-60P-91	8125069	EAMM-U-60-D32-60P-91																		
EAMM-U-60-D32-60RA-91	8123497	EAMM-U-60-D32-60RA-91																		
EAMM-U-60-D40-40G-91	38	38	M6	157	91.5	27.5	38	56	-	15		1577165					EAMM-U-60-D40-40G-91			
EAMM-U-60-D40-40G-91-S1												1435968					EAMM-U-60-D40-40G-91-S1			
EAMM-U-60-D40-40R-91												8058934					EAMM-U-60-D40-40R-91			
EAMM-U-60-D40-50GA-91												8058935					EAMM-U-60-D40-50GA-91			
EAMM-U-60-D40-55A-91												1210438					EAMM-U-60-D40-55A-91			
EAMM-U-60-D40-55A-91-S1												1210458					EAMM-U-60-D40-55A-91-S1			
EAMM-U-60-D40-57A-91												★ 1210442					EAMM-U-60-D40-57A-91			
EAMM-U-60-D40-57A-91-S1												1210462					EAMM-U-60-D40-57A-91-S1			
EAMM-U-60-D40-57AC-91											8058939	EAMM-U-60-D40-57AC-91								
EAMM-U-60-D40-58AA-91											8058940	EAMM-U-60-D40-58AA-91								
EAMM-U-60-D40-60R-91	1210446	EAMM-U-60-D40-60R-91																		

Festo core product range



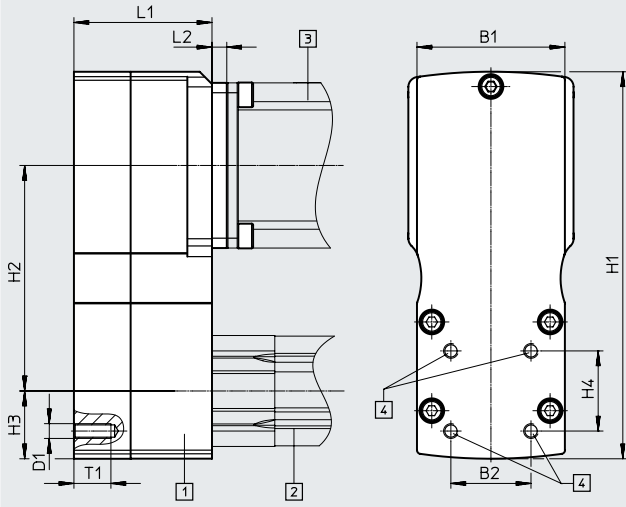
Generally ready for shipping ex works in 24 hours
 Generally ready for shipping ex works in 5 days

Data sheet

Dimensions and ordering data

Download CAD data → www.festo.com

ESBF-BS-...



Main illustration:

- [1] Parallel kit
- [2] Electric cylinder
- [3] Motor
- [4] Interface for mounting accessories
- [5] Only with EAMM-U-...-S1 (with degree of protection IP65)

Type	B1	B2	D1	H1	H2 ±1	H3	H4	L1	L2	T1	Part no.	Type
EAMM-U-70-D32-60G-96	70	32.5	M6	173.5	96	34.5	32.5	64.5	-	15	2748181	EAMM-U-70-D32-60G-96
EAMM-U-70-D32-60G-96-S1											2778302	EAMM-U-70-D32-60G-96-S1
EAMM-U-70-D32-60H-96											2778393	EAMM-U-70-D32-60H-96
EAMM-U-70-D32-60H-96-S1											2781450	EAMM-U-70-D32-60H-96-S1
EAMM-U-70-D32-60P-96											★ 2619586	EAMM-U-70-D32-60P-96
EAMM-U-70-D32-60P-96-S1											2619688	EAMM-U-70-D32-60P-96-S1
EAMM-U-70-D32-68GA-96											8058951	EAMM-U-70-D32-68GA-96
EAMM-U-70-D32-70A-96											2755565	EAMM-U-70-D32-70A-96
EAMM-U-70-D32-70A-96-S1											2781711	EAMM-U-70-D32-70A-96-S1
EAMM-U-70-D32-70AA-96											8123499	EAMM-U-70-D32-70AA-96
EAMM-U-70-D40-60G-96FDGF	70	38	M8	173.5	96	34.5	38	66.5	-	15	2785471	EAMM-U-70-D40-60G-96
EAMM-U-70-D40-60G-96-S1											2785542	EAMM-U-70-D40-60G-96-S1
EAMM-U-70-D40-60H-96											2786101	EAMM-U-70-D40-60H-96
EAMM-U-70-D40-60H-96-S1											2786137	EAMM-U-70-D40-60H-96-S1
EAMM-U-70-D40-60P-96											★ 2617488	EAMM-U-70-D40-60P-96
EAMM-U-70-D40-60P-96-S1											2546123	EAMM-U-70-D40-60P-96-S1
EAMM-U-70-D40-60RA-96											8058952	EAMM-U-70-D40-60RA-96
EAMM-U-70-D40-68GA-96											8058954	EAMM-U-70-D40-68GA-96
EAMM-U-70-D40-70A-96											2786204	EAMM-U-70-D40-70A-96
EAMM-U-70-D40-70A-96-S1											2786316	EAMM-U-70-D40-70A-96-S1
EAMM-U-70-D50-60P-96	70	46.5	M8	173.5	96	34.5	46.5	66.5	-	15	8123171	EAMM-U-70-D50-60P-96
EAMM-U-70-D50-60RA-96											8058963	EAMM-U-70-D50-60RA-96
EAMM-U-70-D50-68GA-96											8058965	EAMM-U-70-D50-68GA-96
EAMM-U-70-D50-70A-96											2786899	EAMM-U-70-D50-70A-96
EAMM-U-70-D50-70A-96-S1											2756078	EAMM-U-70-D50-70A-96-S1

Festo core product range

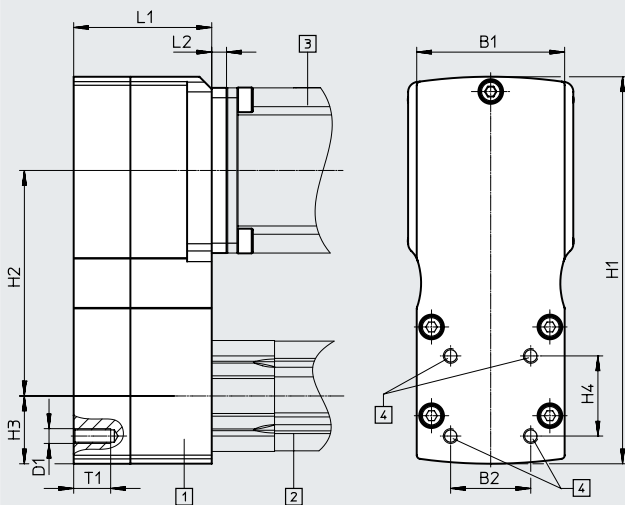
- ★ Generally ready for shipping ex works in 24 hours
- ★ Generally ready for shipping ex works in 5 days

Data sheet

Dimensions and ordering data

Download CAD data → www.festo.com

ESBF-BS-...



Main illustration:

- [1] Parallel kit
- [2] Electric cylinder
- [3] Motor
- [4] Interface for mounting accessories
- [5] Only with EAMM-U-...-S1 (with degree of protection IP65)

Type	B1	B2	D1	H1	H2 ±1	H3	H4	L1	L2	T1	Part no.	Type										
EAMM-U-86-D40-60G-102	86	38	M6	188.5	102.5	38	38	69	-	16	1586445	EAMM-U-86-D40-60G-102										
EAMM-U-86-D40-60G-102-S1											1586429	EAMM-U-86-D40-60G-102-S1										
EAMM-U-86-D40-60H-102											1586496	EAMM-U-86-D40-60H-102										
EAMM-U-86-D40-60H-102-S1											1586372	EAMM-U-86-D40-60H-102-S1										
EAMM-U-86-D40-60PA-102											8058972	EAMM-U-86-D40-60PA-102										
EAMM-U-86-D40-70A-102											1212826	EAMM-U-86-D40-70A-102										
EAMM-U-86-D40-70A-102-S1											1212854	EAMM-U-86-D40-70A-102-S1										
EAMM-U-86-D40-70AA-102											8058973	EAMM-U-86-D40-70AA-102										
EAMM-U-86-D40-70AB-102											8058974	EAMM-U-86-D40-70AB-102										
EAMM-U-86-D40-80P-102											★ 2802441	EAMM-U-86-D40-80P-102										
EAMM-U-86-D40-80P-102-S1											2802656	EAMM-U-86-D40-80P-102-S1										
EAMM-U-86-D40-80PB-102											8123501	EAMM-U-86-D40-80PB-102										
EAMM-U-86-D40-82AA-102											8058975	EAMM-U-86-D40-82AA-102										
EAMM-U-86-D40-84AA-102											8058976	EAMM-U-86-D40-84AA-102										
EAMM-U-86-D40-87A-102											★ 1215802	EAMM-U-86-D40-87A-102										
EAMM-U-86-D40-87A-102-S1											1215814	EAMM-U-86-D40-87A-102-S1										
EAMM-U-86-D50-60G-102											86	46.5	M8	188.5	102.5	38	46.5	71	-	16	2803125	EAMM-U-86-D50-60G-102
EAMM-U-86-D50-60G-102-S1																					2803197	EAMM-U-86-D50-60G-102-S1
EAMM-U-86-D50-60H-102	2803326	EAMM-U-86-D50-60H-102																				
EAMM-U-86-D50-60H-102-S1	2803325	EAMM-U-86-D50-60H-102-S1																				
EAMM-U-86-D50-70GA-102	8107044	EAMM-U-86-D50-70GA-102																				
EAMM-U-86-D50-80P-102	★ 2803053	EAMM-U-86-D50-80P-102																				
EAMM-U-86-D50-80P-102-S1	2803073	EAMM-U-86-D50-80P-102-S1																				
EAMM-U-86-D50-80PB-102	8107089	EAMM-U-86-D50-80PB-102																				
EAMM-U-86-D50-87A-102	★ 2802708	EAMM-U-86-D50-87A-102																				
EAMM-U-86-D50-87A-102-S1	2802742	EAMM-U-86-D50-87A-102-S1																				

Festo core product range

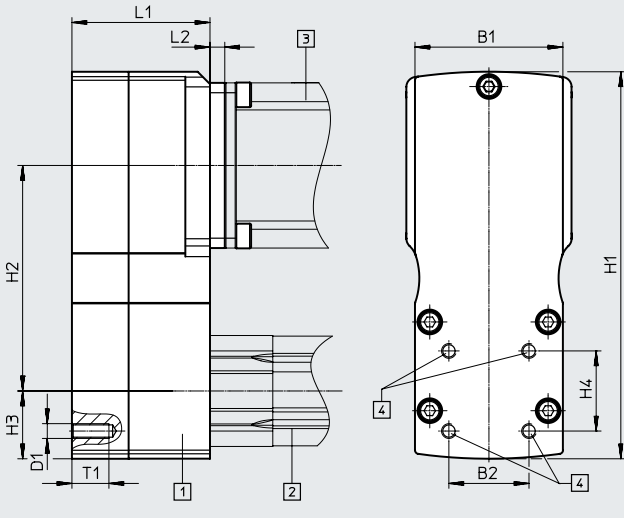
- ★ Generally ready for shipping ex works in 24 hours
- ★ Generally ready for shipping ex works in 5 days

Data sheet

Dimensions and ordering data

Download CAD data → www.festo.com

ESBF-BS-...



Main illustration:

- [1] Parallel kit
- [2] Electric cylinder
- [3] Motor
- [4] Interface for mounting accessories
- [5] Only with EAMM-U-...-S1 (with degree of protection IP65)

Type	B1	B2	D1	H1	H2 ±1	H3	H4	L1	L2	T1	Part no.	Type
EAMM-U-86-D60-55A-102								67			8058979	EAMM-U-86-D60-55A-102
EAMM-U-86-D60-57AA-102											8058980	EAMM-U-86-D60-57AA-102
EAMM-U-86-D60-58AA-102											8058981	EAMM-U-86-D60-58AA-102
EAMM-U-86-D60-60G-102											1586347	EAMM-U-86-D60-60G-102
EAMM-U-86-D60-60G-102-S1											1437163	EAMM-U-86-D60-60G-102-S1
EAMM-U-86-D60-60P-102											8058982	EAMM-U-86-D60-60P-102
EAMM-U-86-D60-60PA-102									-		8058983	EAMM-U-86-D60-60PA-102
EAMM-U-86-D60-60RB-102											8058986	EAMM-U-86-D60-60RB-102
EAMM-U-86-D60-70A-102											1212477	EAMM-U-86-D60-70A-102
EAMM-U-86-D60-70A-102-S1	86	56.5	M8	188.5	102.5	38	56.5	71		16	1212835	EAMM-U-86-D60-70A-102-S1
EAMM-U-86-D60-70AA-102											8058988	EAMM-U-86-D60-70AA-102
EAMM-U-86-D60-70AB-102											8058989	EAMM-U-86-D60-70AB-102
EAMM-U-86-D60-70GA-102									8		8058990	EAMM-U-86-D60-70GA-102
EAMM-U-86-D60-80P-102											★ 2155875	EAMM-U-86-D60-80P-102
EAMM-U-86-D60-80P-102-S1											2156527	EAMM-U-86-D60-80P-102-S1
EAMM-U-86-D60-80PB-102											8107722	EAMM-U-86-D60-80PB-102
EAMM-U-86-D60-82AA-102											8058992	EAMM-U-86-D60-82AA-102
EAMM-U-86-D60-84AA-102									10.5		8058993	EAMM-U-86-D60-84AA-102
EAMM-U-86-D60-87A-102											★ 1215784	EAMM-U-86-D60-87A-102
EAMM-U-86-D60-87A-102-S1											1215810	EAMM-U-86-D60-87A-102-S1

Festo core product range



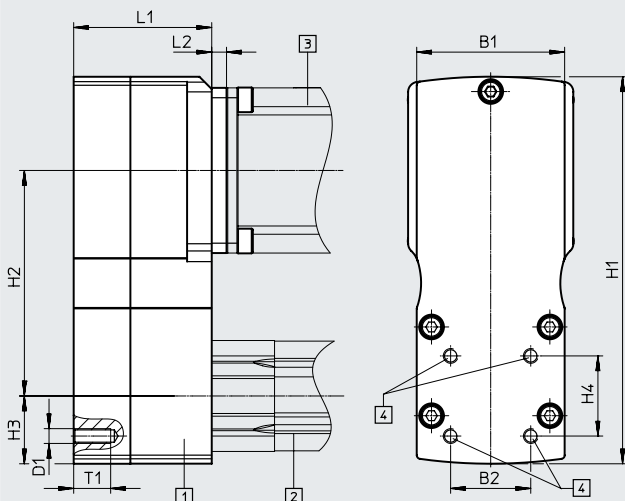
Generally ready for shipping ex works in 24 hours
 Generally ready for shipping ex works in 5 days

Data sheet

Dimensions and ordering data

Download CAD data → www.festo.com

ESBF-BS-...



Main illustration:

- [1] Parallel kit
- [2] Electric cylinder
- [3] Motor
- [4] Interface for mounting accessories
- [5] Only with EAMM-U-...-S1 (with degree of protection IP65)

Type	B1	B2	D1	H1	H2 ±1	H3	H4	L1	L2	T1	Part no.	Type
EAMM-U-110-D50-60G-120	110	46.5	M8	225	120	45	46.5	82	-	16	2797368	EAMM-U-110-D50-60G-120
EAMM-U-110-D50-60G-120-S1											2798665	EAMM-U-110-D50-60G-120-S1
EAMM-U-110-D50-60H-120											2798760	EAMM-U-110-D50-60H-120
EAMM-U-110-D50-60H-120-S1											2799150	EAMM-U-110-D50-60H-120-S1
EAMM-U-110-D50-80G-120											2799196	EAMM-U-110-D50-80G-120
EAMM-U-110-D50-80G-120-S1											2799281	EAMM-U-110-D50-80G-120-S1
EAMM-U-110-D50-84AA-120											8107241	EAMM-U-110-D50-84AA-120
EAMM-U-110-D50-100A-120											★ 2799424	EAMM-U-110-D50-100A-120
EAMM-U-110-D50-100A-120-S1											2799488	EAMM-U-110-D50-100A-120-S1
EAMM-U-110-D50-120GA-120											8059040	EAMM-U-110-D50-120GA-120
EAMM-U-110-D60-60G-120	110	56.5	M8	225	120	45	56.5	82	-	16	1543240	EAMM-U-110-D60-60G-120
EAMM-U-110-D60-60G-120-S1											1436183	EAMM-U-110-D60-60G-120-S1
EAMM-U-110-D60-60H-120											1542264	EAMM-U-110-D60-60H-120
EAMM-U-110-D60-60H-120-S1											1530621	EAMM-U-110-D60-60H-120-S1
EAMM-U-110-D60-62B-120											1536988	EAMM-U-110-D60-62B-120
EAMM-U-110-D60-62B-120-S1											1431443	EAMM-U-110-D60-62B-120-S1
EAMM-U-110-D60-80G-120											1532949	EAMM-U-110-D60-80G-120
EAMM-U-110-D60-80G-120-S1											1530875	EAMM-U-110-D60-80G-120-S1
EAMM-U-110-D60-84AA-120											8059043	EAMM-U-110-D60-84AA-120
EAMM-U-110-D60-88A-120											8059044	EAMM-U-110-D60-88A-120
EAMM-U-110-D60-90GA-120											8107723	EAMM-U-110-D60-90GA-120
EAMM-U-110-D60-100A-120											★ 1202436	EAMM-U-110-D60-100A-120
EAMM-U-110-D60-100A-120-S1											1203112	EAMM-U-110-D60-100A-120-S1
EAMM-U-110-D60-120GA-120											8059046	EAMM-U-110-D60-120GA-120

Festo core product range

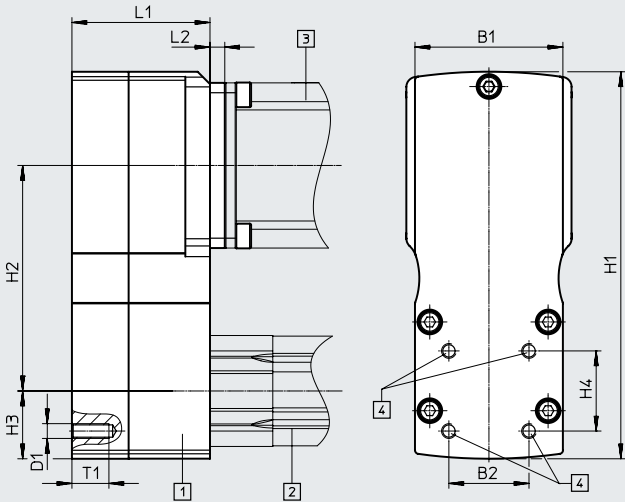
- ★ Generally ready for shipping ex works in 24 hours
- ★ Generally ready for shipping ex works in 5 days

Data sheet

Dimensions and ordering data

Download CAD data → www.festo.com

ESBF-BS-...



Main illustration:

- [1] Parallel kit
- [2] Electric cylinder
- [3] Motor
- [4] Interface for mounting accessories
- [5] Only with EAMM-U-...-S1 (with degree of protection IP65)

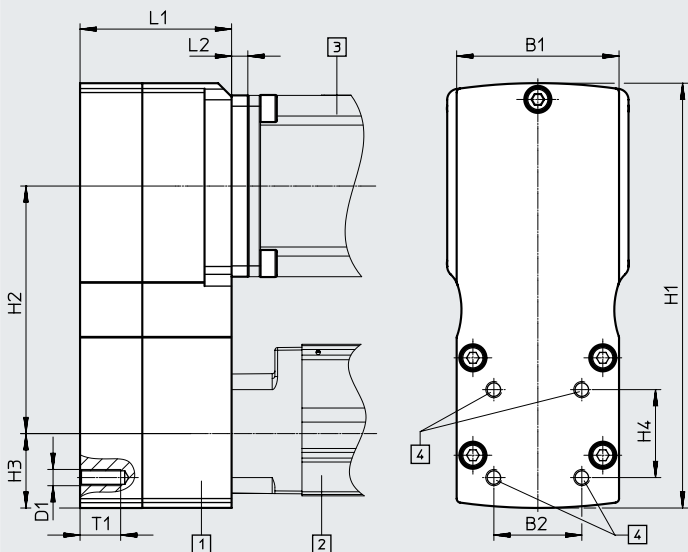
Type	B1	B2	D1	H1	H2 ±1	H3	H4	L1	L2	T1	Part no.	Type
EAMM-U-110-D80-80G-120	110	72	M10	235	120	55	72	82	-	20.5	1589614	EAMM-U-110-D80-80G-120
EAMM-U-110-D80-80G-120-S1											1589706	EAMM-U-110-D80-80G-120-S1
EAMM-U-110-D80-84AA-120											8059048	EAMM-U-110-D80-84AA-120
EAMM-U-110-D80-100A-120											1465438	EAMM-U-110-D80-100A-120
EAMM-U-110-D80-100A-120-S1											1433650	EAMM-U-110-D80-100A-120-S1
EAMM-U-110-D80-120GA-120											8059050	EAMM-U-110-D80-120GA-120
EAMM-U-145-D80-90GA-188	145	72	M10	348	188	70	72	99.5	-	25	8105897	EAMM-U-145-D80-90GA-188
EAMM-U-145-D80-126AA-188											8059069	EAMM-U-145-D80-126AA-188
EAMM-U-145-D80-140A-188											1465530	EAMM-U-145-D80-140A-188
EAMM-U-145-D80-140A-188-S1											1433709	EAMM-U-145-D80-140A-188-S1
EAMM-U-145-D100-120G-188	145	89	M10	348	188	70	89	99.5	-	25	2803620	EAMM-U-145-D100-120G-188
EAMM-U-145-D100-120G-188-S1											2803622	EAMM-U-145-D100-120G-188-S1
EAMM-U-145-D100-140A-188											1465541	EAMM-U-145-D100-140A-188
EAMM-U-145-D100-140A-188-S1											1433852	EAMM-U-145-D100-140A-188-S1

Data sheet

Dimensions and ordering data

Download CAD data → www.festo.com

EGSL...



- Main illustration:
 [1] Parallel kit
 [2] Mini slide
 [3] Motor
 [4] Interface for mounting accessories

Type	B1	B2	D1	H1	H2 ±1	H3	H4	L1	L2	T1	Part no.	Type
EAMM-U-50-D19-38AA-78	50	32.5	M6	128.8	78	22.8	32.5	45	-	15	8107032	EAMM-U-50-D19-38AA-78
EAMM-U-50-D19-40R-78											8107034	EAMM-U-50-D19-40R-78
EAMM-U-50-D32-32B-78											1570862	EAMM-U-50-D32-32B-78
EAMM-U-50-D32-38AA-78											8058924	EAMM-U-50-D32-38AA-78
EAMM-U-50-D32-40RA-78											8058925	EAMM-U-50-D32-40RA-78
EAMM-U-50-D32-40A-78											1201591	EAMM-U-50-D32-40A-78
EAMM-U-50-D32-40A-78-S1											1202302	EAMM-U-50-D32-40A-78-S1
EAMM-U-50-D32-40P-78											★ 2153283	EAMM-U-50-D32-40P-78
EAMM-U-50-D32-40P-78-S1											2154009	EAMM-U-50-D32-40P-78-S1
EAMM-U-50-D32-42A-78											★ 1201607	EAMM-U-50-D32-42A-78
EAMM-U-50-D32-42A-78-S1											1202312	EAMM-U-50-D32-42A-78-S1
EAMM-U-60-D32-40G-91											60	32.5
EAMM-U-60-D32-40G-91-S1	1577346	EAMM-U-60-D32-40G-91-S1										
EAMM-U-60-D32-55A-91	1210126	EAMM-U-60-D32-55A-91										
EAMM-U-60-D32-55A-91-S1	1210450	EAMM-U-60-D32-55A-91-S1										
EAMM-U-60-D32-57A-91	★ 1210419	EAMM-U-60-D32-57A-91										
EAMM-U-60-D32-57A-91-S1	1210453	EAMM-U-60-D32-57A-91-S1										
EAMM-U-60-D32-57AC-91	8058929	EAMM-U-60-D32-57AC-91										
EAMM-U-60-D32-58AA-91	8058930	EAMM-U-60-D32-58AA-91										
EAMM-U-60-D32-60RB-91	8058932	EAMM-U-60-D32-60RB-91										
EAMM-U-60-D32-60AA-91	8123498	EAMM-U-60-D32-60AA-91										
EAMM-U-60-D32-60P-91	8125069	EAMM-U-60-D32-60P-91										
EAMM-U-60-D32-60RA-91	8123497	EAMM-U-60-D32-60RA-91										
EAMM-U-60-D40-40G-91	60	38	M6	157	91.5	27.5	38	56	-	15	1577165	EAMM-U-60-D40-40G-91
EAMM-U-60-D40-40G-91-S1											1435968	EAMM-U-60-D40-40G-91-S1
EAMM-U-60-D40-40R-91											8058934	EAMM-U-60-D40-40R-91
EAMM-U-60-D40-50GA-91											8058935	EAMM-U-60-D40-50GA-91
EAMM-U-60-D40-55A-91											1210438	EAMM-U-60-D40-55A-91
EAMM-U-60-D40-55A-91-S1											1210458	EAMM-U-60-D40-55A-91-S1
EAMM-U-60-D40-57A-91											★ 1210442	EAMM-U-60-D40-57A-91
EAMM-U-60-D40-57A-91-S1											1210462	EAMM-U-60-D40-57A-91-S1
EAMM-U-60-D40-57AC-91											8058939	EAMM-U-60-D40-57AC-91
EAMM-U-60-D40-58AA-91											8058940	EAMM-U-60-D40-58AA-91
EAMM-U-60-D40-60R-91											1210446	EAMM-U-60-D40-60R-91

Festo core product range



Generally ready for shipping ex works in 24 hours



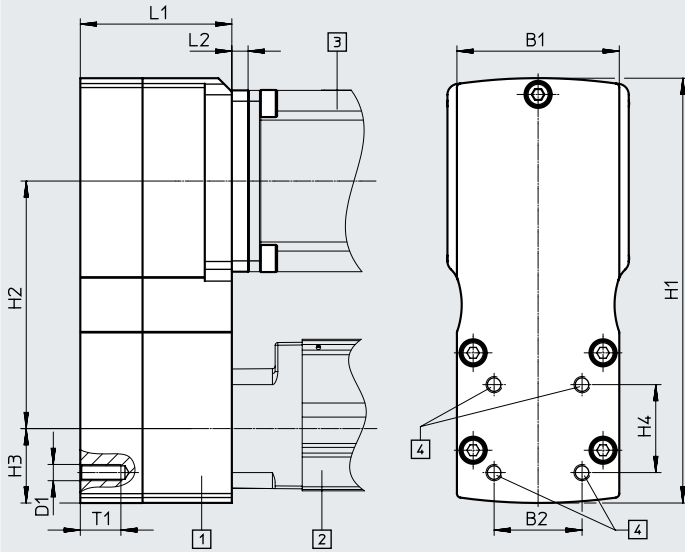
Generally ready for shipping ex works in 5 days

Data sheet

Dimensions and ordering data

Download CAD data → www.festo.com

EGSL...



Main illustration:

- [1] Parallel kit
- [2] Mini slide
- [3] Motor
- [4] Interface for mounting accessories

Type	B1	B2	D1	H1	H2 ±1	H3	H4	L1	L2	T1	Part no.	Type										
EAMM-U-70-D32-60G-96	70	32.5	M6	173.5	96	34.5	32.5	64.5	-	15	2748181	EAMM-U-70-D32-60G-96										
EAMM-U-70-D32-60G-96-S1											2778302	EAMM-U-70-D32-60G-96-S1										
EAMM-U-70-D32-60H-96											2778393	EAMM-U-70-D32-60H-96										
EAMM-U-70-D32-60H-96-S1											2781450	EAMM-U-70-D32-60H-96-S1										
EAMM-U-70-D32-60P-96											★ 2619586	EAMM-U-70-D32-60P-96										
EAMM-U-70-D32-60P-96-S1											2619688	EAMM-U-70-D32-60P-96-S1										
EAMM-U-70-D32-68GA-96											8058951	EAMM-U-70-D32-68GA-96										
EAMM-U-70-D32-70A-96											2755565	EAMM-U-70-D32-70A-96										
EAMM-U-70-D32-70A-96-S1											2781711	EAMM-U-70-D32-70A-96-S1										
EAMM-U-70-D32-70AA-96											8123499	EAMM-U-70-D32-70AA-96										
EAMM-U-70-D40-60G-96FDGF											38	38	M6	173.5	96	34.5	38	64.5	-	15	2785471	EAMM-U-70-D40-60G-96
EAMM-U-70-D40-60G-96-S1																					2785542	EAMM-U-70-D40-60G-96-S1
EAMM-U-70-D40-60H-96																					2786101	EAMM-U-70-D40-60H-96
EAMM-U-70-D40-60H-96-S1																					2786137	EAMM-U-70-D40-60H-96-S1
EAMM-U-70-D40-60P-96																					★ 2617488	EAMM-U-70-D40-60P-96
EAMM-U-70-D40-60P-96-S1																					2546123	EAMM-U-70-D40-60P-96-S1
EAMM-U-70-D40-60RA-96	8058952	EAMM-U-70-D40-60RA-96																				
EAMM-U-70-D40-68GA-96	8058954	EAMM-U-70-D40-68GA-96																				
EAMM-U-70-D40-70A-96	2786204	EAMM-U-70-D40-70A-96																				
EAMM-U-70-D40-70A-96-S1	2786316	EAMM-U-70-D40-70A-96-S1																				
									17													
									-													

Festo core product range

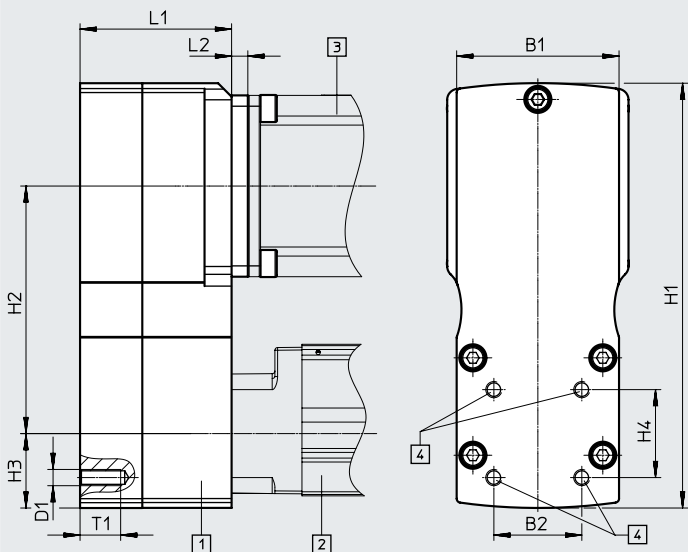
- ★ Generally ready for shipping ex works in 24 hours
- ★ Generally ready for shipping ex works in 5 days

Data sheet

Dimensions and ordering data

Download CAD data → www.festo.com

EGSL...



- Main illustration:
 [1] Parallel kit
 [2] Mini slide
 [3] Motor
 [4] Interface for mounting accessories

Type	B1	B2	D1	H1	H2 ±1	H3	H4	L1	L2	T1	Part no.	Type	
EAMM-U-86-D40-60G-102	86	38	M6	188.5	102.5	38	38	69	-	16	1586445	EAMM-U-86-D40-60G-102	
EAMM-U-86-D40-60G-102-S1											1586429	EAMM-U-86-D40-60G-102-S1	
EAMM-U-86-D40-60H-102											1586496	EAMM-U-86-D40-60H-102	
EAMM-U-86-D40-60H-102-S1											1586372	EAMM-U-86-D40-60H-102-S1	
EAMM-U-86-D40-60PA-102											8058972	EAMM-U-86-D40-60PA-102	
EAMM-U-86-D40-70A-102											1212826	EAMM-U-86-D40-70A-102	
EAMM-U-86-D40-70A-102-S1											1212854	EAMM-U-86-D40-70A-102-S1	
EAMM-U-86-D40-70AA-102											8058973	EAMM-U-86-D40-70AA-102	
EAMM-U-86-D40-70AB-102											8058974	EAMM-U-86-D40-70AB-102	
EAMM-U-86-D40-80P-102											★ 2802441	EAMM-U-86-D40-80P-102	
EAMM-U-86-D40-80P-102-S1											2802656	EAMM-U-86-D40-80P-102-S1	
EAMM-U-86-D40-80PB-102											8123501	EAMM-U-86-D40-80PB-102	
EAMM-U-86-D40-82AA-102											8058975	EAMM-U-86-D40-82AA-102	
EAMM-U-86-D40-84AA-102											10.5	8058976	EAMM-U-86-D40-84AA-102
EAMM-U-86-D40-87A-102											-	★ 1215802	EAMM-U-86-D40-87A-102
EAMM-U-86-D40-87A-102-S1											1215814	EAMM-U-86-D40-87A-102-S1	
EAMM-U-86-D60-55A-102	86	56.5	M8	188.5	102.5	38	56.5	71	-	16	8058979	EAMM-U-86-D60-55A-102	
EAMM-U-86-D60-57AA-102											8058980	EAMM-U-86-D60-57AA-102	
EAMM-U-86-D60-58AA-102											8058981	EAMM-U-86-D60-58AA-102	
EAMM-U-86-D60-60G-102											1586347	EAMM-U-86-D60-60G-102	
EAMM-U-86-D60-60G-102-S1											1437163	EAMM-U-86-D60-60G-102-S1	
EAMM-U-86-D60-60P-102											8058982	EAMM-U-86-D60-60P-102	
EAMM-U-86-D60-60PA-102											8058983	EAMM-U-86-D60-60PA-102	
EAMM-U-86-D60-60RB-102											8058986	EAMM-U-86-D60-60RB-102	
EAMM-U-86-D60-70A-102											1212477	EAMM-U-86-D60-70A-102	
EAMM-U-86-D60-70A-102-S1											1212835	EAMM-U-86-D60-70A-102-S1	
EAMM-U-86-D60-70AA-102											8058988	EAMM-U-86-D60-70AA-102	
EAMM-U-86-D60-70AB-102											8058989	EAMM-U-86-D60-70AB-102	
EAMM-U-86-D60-70GA-102											8	8058990	EAMM-U-86-D60-70GA-102

Festo core product range



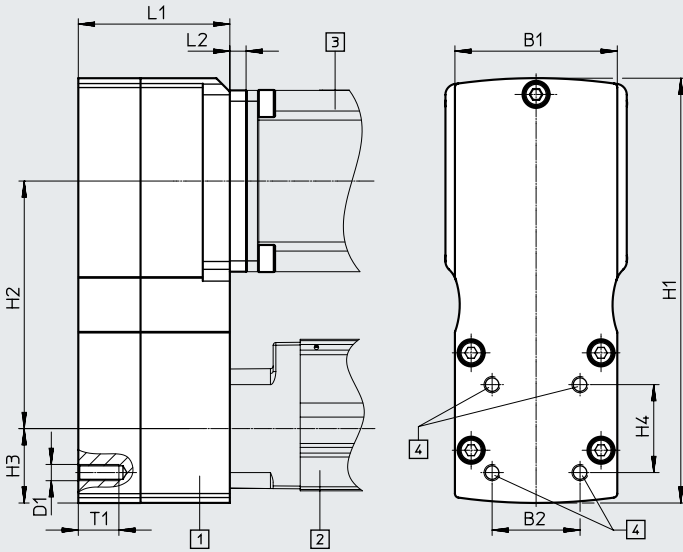
Generally ready for shipping ex works in 24 hours
 Generally ready for shipping ex works in 5 days

Data sheet

Dimensions and ordering data

Download CAD data → www.festo.com

EGSL...



Main illustration:

- [1] Parallel kit
- [2] Mini slide
- [3] Motor
- [4] Interface for mounting accessories

Type	B1	B2	D1	H1	H2 ±1	H3	H4	L1	L2	T1	Part no.	Type
EAMM-U-86-D60-80P-102	86	56.5	M8	188.5	102.5	38	56.5	71	-	16	★ 2155875	EAMM-U-86-D60-80P-102
EAMM-U-86-D60-80P-102-S1											2156527	EAMM-U-86-D60-80P-102-S1
EAMM-U-86-D60-80PB-102											8107722	EAMM-U-86-D60-80PB-102
EAMM-U-86-D60-82AA-102											8058992	EAMM-U-86-D60-82AA-102
EAMM-U-86-D60-84AA-102											8058993	EAMM-U-86-D60-84AA-102
EAMM-U-86-D60-87A-102											★ 1215784	EAMM-U-86-D60-87A-102
EAMM-U-86-D60-87A-102-S1											1215810	EAMM-U-86-D60-87A-102-S1
EAMM-U-110-D60-60G-120	110	56.5	M8	225	120	45	56.5	82	-	16	1543240	EAMM-U-110-D60-60G-120
EAMM-U-110-D60-60G-120-S1											1436183	EAMM-U-110-D60-60G-120-S1
EAMM-U-110-D60-60H-120											1542264	EAMM-U-110-D60-60H-120
EAMM-U-110-D60-60H-120-S1											1530621	EAMM-U-110-D60-60H-120-S1
EAMM-U-110-D60-62B-120											1536988	EAMM-U-110-D60-62B-120
EAMM-U-110-D60-62B-120-S1											1431443	EAMM-U-110-D60-62B-120-S1
EAMM-U-110-D60-80G-120											1532949	EAMM-U-110-D60-80G-120
EAMM-U-110-D60-80G-120-S1											1530875	EAMM-U-110-D60-80G-120-S1
EAMM-U-110-D60-84AA-120											8059043	EAMM-U-110-D60-84AA-120
EAMM-U-110-D60-88A-120											8059044	EAMM-U-110-D60-88A-120
EAMM-U-110-D60-90GA-120											8107723	EAMM-U-110-D60-90GA-120
EAMM-U-110-D60-100A-120											★ 1202436	EAMM-U-110-D60-100A-120
EAMM-U-110-D60-100A-120-S1											1203112	EAMM-U-110-D60-100A-120-S1
EAMM-U-110-D60-120GA-120											8059046	EAMM-U-110-D60-120GA-120

Festo core product range



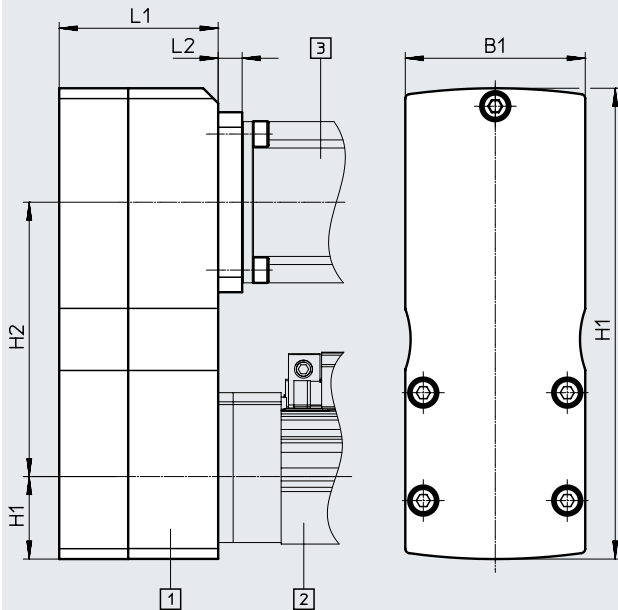
Generally ready for shipping ex works in 24 hours
 Generally ready for shipping ex works in 5 days

Data sheet

Dimensions and ordering data

Download CAD data → www.festo.com

ELGA-BS/EGC-BS/EGC-HD-BS



Main illustration:
 [1] Parallel kit
 [2] Spindle axis
 [3] Motor

Type	B1	H1	H2 ±1	H3	L1	L2	Part no.	Type
EAMM-U-50-S38-38AA-78	50	131	78	25	45	-	8058926	EAMM-U-50-S38-38AA-78
1217708							EAMM-U-50-S38-40A-78	
★ 2155239							EAMM-U-50-S38-40P-78	
EAMM-U-50-S38-42A-78	60	157	91.5	27.5	53	-	★ 1217945	EAMM-U-50-S38-42A-78
2283732							EAMM-U-60-S38-40G-91	
8058943							EAMM-U-60-S38-40R-91	
8107724							EAMM-U-60-S38-50GA-91	
1218538							EAMM-U-60-S38-55A-91	
★ 1218568							EAMM-U-60-S38-57A-91	
8058946							EAMM-U-60-S38-57AC-91	
8058947							EAMM-U-60-S38-58AA-91	
8125092							EAMM-U-60-S38-60P-91	
8058948							EAMM-U-60-S38-60RA-91	
2283760							EAMM-U-60-S48-40G-91	
8058949							EAMM-U-60-S48-40R-91	
8105900							EAMM-U-60-S48-50GA-91	
1219370							EAMM-U-60-S48-55A-91	
★ 1219379							EAMM-U-60-S48-57A-91	
8058950	EAMM-U-60-S48-58AA-91							
8105898	EAMM-U-60-S48-60AA-91							
2801627	70	173.5	96	34.5	64.5	-	2801715	EAMM-U-70-S48-60G-96
★ 2629253							EAMM-U-70-S48-60H-96	
8105843							EAMM-U-70-S48-60P-96	
8058969							EAMM-U-70-S48-60RA-96	
2787320							EAMM-U-70-S48-70A-96	
8058970							EAMM-U-70-S48-70AB-96	

Festo core product range

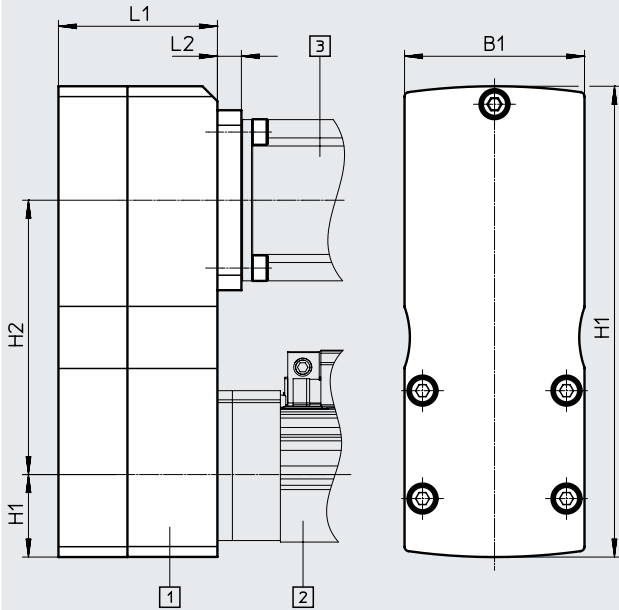
- ★ Generally ready for shipping ex works in 24 hours
- ★ Generally ready for shipping ex works in 5 days

Data sheet

Dimensions and ordering data

ELGA-BS/EGC-BS/EGC-HD-BS

Download CAD data → www.festo.com



Main illustration:
 [1] Parallel kit
 [2] Spindle axis
 [3] Motor

Type	B1	H1	H2 ±1	H3	L1	L2	Part no.	Type	
EAMM-U-86-S48-58AA-102	86	188.5	102.5	38	67	-	8058995	EAMM-U-86-S48-58AA-102	
EAMM-U-86-S48-60G-102							1587251	EAMM-U-86-S48-60G-102	
EAMM-U-86-S48-60H-102							1587338	EAMM-U-86-S48-60H-102	
EAMM-U-86-S48-60P-102							8058996	EAMM-U-86-S48-60P-102	
EAMM-U-86-S48-60RB-102							8058997	EAMM-U-86-S48-60RB-102	
EAMM-U-86-S48-70A-102							1217689	EAMM-U-86-S48-70A-102	
EAMM-U-86-S48-70AA-102							8058999	EAMM-U-86-S48-70AA-102	
EAMM-U-86-S48-70GA-102							8	8059000	EAMM-U-86-S48-70GA-102
EAMM-U-86-S48-82AA-102							-	8059002	EAMM-U-86-S48-82AA-102
EAMM-U-86-S48-84AA-102							87	10.5	8059003
EAMM-U-86-S48-87A-102	86	-	8059004	EAMM-U-86-S48-87A-102					
EAMM-U-86-S48-58AA-177	86	268.5	177.5	43	67	-	8059008	EAMM-U-86-S48-58AA-177	
EAMM-U-86-S48-60G-177							8	8059009	EAMM-U-86-S48-60G-177
EAMM-U-86-S48-60P-177							-	8059011	EAMM-U-86-S48-60P-177
EAMM-U-86-S48-60PA-177							-	8059012	EAMM-U-86-S48-60PA-177
EAMM-U-86-S48-60RB-177							-	8059014	EAMM-U-86-S48-60RB-177
EAMM-U-86-S48-70A-177							-	8059016	EAMM-U-86-S48-70A-177
EAMM-U-86-S48-70AA-177							-	8059017	EAMM-U-86-S48-70AA-177
EAMM-U-86-S48-70AB-177							-	8059018	EAMM-U-86-S48-70AB-177
EAMM-U-86-S48-70GA-177							8	8059019	EAMM-U-86-S48-70GA-177
EAMM-U-86-S48-82AA-177							-	8059021	EAMM-U-86-S48-82AA-177
EAMM-U-86-S48-84AA-177	96	10.5	8059022	EAMM-U-86-S48-84AA-177					
EAMM-U-86-S48-87A-177	86	-	★ 1217604	EAMM-U-86-S48-87A-177					

Festo core product range



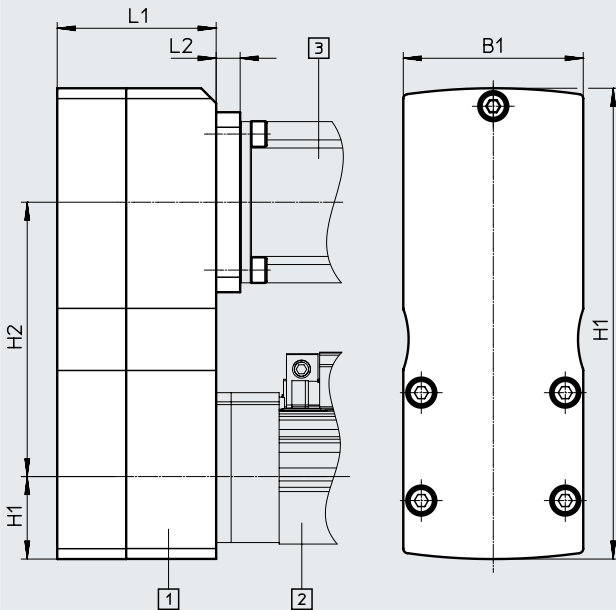
Generally ready for shipping ex works in 24 hours
 Generally ready for shipping ex works in 5 days

Data sheet

Dimensions and ordering data

Download CAD data → www.festo.com

ELGA-BS/EGC-BS/EGC-HD-BS



Main illustration:

- [1] Parallel kit
- [2] Spindle axis
- [3] Motor

Type	B1	H1	H2 ±1	H3	L1	L2	Part no.	Type						
EAMM-U-86-S62-60PA-102	86	193.5	102.5	43	69	-	8059026	EAMM-U-86-S62-60PA-102						
EAMM-U-86-S62-70A-102							8059027	EAMM-U-86-S62-70A-102						
EAMM-U-86-S62-70AA-102							8059028	EAMM-U-86-S62-70AA-102						
EAMM-U-86-S62-70AB-102							8059029	EAMM-U-86-S62-70AB-102						
EAMM-U-86-S62-82AA-102							8059031	EAMM-U-86-S62-82AA-102						
EAMM-U-86-S62-87A-102							8059032	EAMM-U-86-S62-87A-102						
EAMM-U-86-S62-55A-177	86	268.5	177.5	43	69	-	8059033	EAMM-U-86-S62-55A-177						
EAMM-U-86-S62-60G-177							1587411	EAMM-U-86-S62-60G-177						
EAMM-U-86-S62-60H-177							1587453	EAMM-U-86-S62-60H-177						
EAMM-U-86-S62-60PA-177							8059034	EAMM-U-86-S62-60PA-177						
EAMM-U-86-S62-70A-177							1217543	EAMM-U-86-S62-70A-177						
EAMM-U-86-S62-70AA-177							8059036	EAMM-U-86-S62-70AA-177						
EAMM-U-86-S62-70AB-177							8059037	EAMM-U-86-S62-70AB-177						
EAMM-U-86-S62-70GA-177							8105902	EAMM-U-86-S62-70GA-177						
EAMM-U-86-S62-80P-177							★ 2157004	EAMM-U-86-S62-80P-177						
EAMM-U-86-S62-80PB-177							8105905	EAMM-U-86-S62-80PB-177						
EAMM-U-86-S62-82AA-177							8059038	EAMM-U-86-S62-82AA-177						
EAMM-U-86-S62-87A-177							★ 1217373	EAMM-U-86-S62-87A-177						
EAMM-U-110-S62-84AA-120							110	235	120	55	82	-	8059051	EAMM-U-110-S62-84AA-120
EAMM-U-110-S62-88A-120													8059052	EAMM-U-110-S62-88A-120
EAMM-U-110-S62-84AA-207							110	322.5	207.5	55	82	-	8059057	EAMM-U-110-S62-84AA-207
EAMM-U-110-S62-88A-207	8059058	EAMM-U-110-S62-88A-207												
EAMM-U-110-S62-100A-207	★ 1217381	EAMM-U-110-S62-100A-207												
EAMM-U-110-S95-80G-207	1589544	EAMM-U-110-S95-80G-207												
EAMM-U-110-S95-84AA-207	8059063	EAMM-U-110-S95-84AA-207												
EAMM-U-110-S95-90GA-207	8105907	EAMM-U-110-S95-90GA-207												
EAMM-U-110-S95-100A-207	1220656	EAMM-U-110-S95-100A-207												
EAMM-U-145-S62-126AA-288	145	448	288	70	99.5	-	8059073	EAMM-U-145-S62-126AA-288						
EAMM-U-145-S62-140A-288							1219440	EAMM-U-145-S62-140A-288						
EAMM-U-145-S95-140A-288							1220582	EAMM-U-145-S95-140A-288						

Festo core product range

- ★ Generally ready for shipping ex works in 24 hours
- ★ Generally ready for shipping ex works in 5 days

Accessories

Clamping element EADT

Material:

Polymer

RoHS-compliant

For adjusting the toothed belt pretension with EAMM-U-110 and EAMM-U-145.

The motor is pushed away from the axis mechanism by turning the clamping element secured in a hole in the housing (the motor can be moved in a slot for this purpose).

This enables high toothed belt pretension forces to be generated with low torques at the clamping element. Can only be used in combination with parallel kit EAMM-U-...-D/S.



Ordering data				
Type	Ambient temperature [°C]	Weight [g]	Part no.	Type
EADT-E-U1-110	-10 ... +60	9	1461069	EADT-E-U1-110

Accessories

Counter bearing EAMG

Material:

Wrought aluminium alloy

RoHS-compliant

Can only be used in combination with parallel kit EAMM-U-...-D/S.



A counter bearing EAMG reduces the load on the axis or motor bearings to improve the service life under high loads. For every counter bearing, an additional clamping sleeve EAMH-...-P is required.

Ordering data						
Type	For size	Max. rotational speed [rpm]	Ambient temperature [°C]	Weight [g]	Part no.	Type
EAMG-U1-50	50	6000	-10 ... +60	20	1354281	EAMG-U1-50
EAMG-U1-60-G2	60	6000		35	4164963	EAMG-U1-60-G2
EAMG-U1-70	70	5000		74	2598638	EAMG-U1-70
EAMG-U1-86	86	5000		83	1354283	EAMG-U1-86
EAMG-U1-110	110	5000		169	1354284	EAMG-U1-110
EAMG-U1-145	145	4000		186	1354285	EAMG-U1-145

Accessories

Clamping sleeve EAMH-...-P, with trunnion

Material:

Corrosion-resistant steel

RoHS-compliant

Can only be used in combination with parallel kit EAMM-U-...-D/S.



To retrofit the counter bearing, the clamping sleeve without trunnion contained as standard in the parallel kit must be replaced by the clamping sleeve EAMH-...-P with integrated trunnion. The appropriate clamping sleeve size for the counter bearing is determined by the size of the parallel kit.

Ordering data								
Type	For size	For shaft diameter, motor/axis ø h7 ... k7	Max. rotational speed [rpm]	Mass moment of inertia [kg mm ²]	Ambient temperature [°C]	Weight [g]	Part no.	Type
EAMH-50-5-C13.6-P	50	5	6000	0.39	-10 ... +60	20	1354092	EAMH-50-5-C13.6-P
EAMH-50-6-C13.6-P	50	6	6000	0.38		19	1354093	EAMH-50-6-C13.6-P
EAMH-50-8-C13.6-P	50	8	6000	0.35		16	1354094	EAMH-50-8-C13.6-P
EAMH-60-6-C18.1-P	60	6	6000	1.57		44	1354095	EAMH-60-6-C18.1-P
EAMH-60-6.35-C18.1-P	60	6.35	6000	1.56		43	1354096	EAMH-60-6.35-C18.1-P
EAMH-60-8-C18.1-P	60	8	6000	1.53		41	1354097	EAMH-60-8-C18.1-P
EAMH-60-9-C18.1-P	60	9	6000	1.5		39	1354098	EAMH-60-9-C18.1-P
EAMH-60-10-C18.1-P	60	10	6000	1.4		38	1545242	EAMH-60-10-C18.1-P
EAMH-60-11-C18.1-P	60	11	6000	1.31		35	2789343	EAMH-60-11-C18.1-P
EAMH-60-12-C18.1-P	60	12	6000	1.3		32	1354099	EAMH-60-12-C18.1-P
EAMH-86-6-C27.3-P	70, 86	6	5000	12.3		123	2789351	EAMH-86-6-C27.3-P
EAMH-86-8-C27.3-P	70, 86	8	5000	10.3		128	1354100	EAMH-86-8-C27.3-P
EAMH-86-9-C27.3-P	70, 86	9	5000	9		117	2789359	EAMH-86-9-C27.3-P
EAMH-86-10-C27.3-P	70, 86	10	5000	9		115	2789365	EAMH-86-10-C27.3-P
EAMH-86-11-C27.3-P	70, 86	11	5000	10.1		119	1354101	EAMH-86-11-C27.3-P
EAMH-86-12-C27.3-P	70, 86	12	5000	10		115	1354102	EAMH-86-12-C27.3-P
EAMH-86-14-C27.3-P	70, 86	14	5000	8.74		103	1459337	EAMH-86-14-C27.3-P
EAMH-86-16-C27.3-P	70, 86	16	5000	8.3		95	2430402	EAMH-86-16-C27.3-P
EAMH-86-19-C27.3-P	70, 86	19	5000	7.1		78	2406019	EAMH-86-19-C27.3-P
EAMH-110-11-C34-P	110	11	5000	33.2		270	1545245	EAMH-110-11-C34-P
EAMH-110-12-C34-P	110	12	5000	36.3	278	1354103	EAMH-110-12-C34-P	
EAMH-110-14-C34-P	110	14	5000	35.8	267	1354104	EAMH-110-14-C34-P	
EAMH-110-16-C34-P	110	16	5000	35.1	254	1354105	EAMH-110-16-C34-P	
EAMH-110-19-C34-P	110	19	5000	33.3	230	1354106	EAMH-110-19-C34-P	
EAMH-110-20-C34-P	110	20	5000	30.2	217	1545246	EAMH-110-20-C34-P	
EAMH-110-22-C34-P	110	22	5000	28.3	200	2430414	EAMH-110-22-C34-P	
EAMH-110-25-C34-P	110	25	5000	25.8	170	1354107	EAMH-110-25-C34-P	
EAMH-145-12-C34-P	145	12	4000	43.9	338	1354108	EAMH-145-12-C34-P	
EAMH-145-19-C34-P	145	19	4000	38	281	1459342	EAMH-145-19-C34-P	
EAMH-145-22-C34-P	145	22	4000	35.1	252	8098589	EAMH-145-22-C34-P	
EAMH-145-24-C34-P	145	24	4000	34	229	1354109	EAMH-145-24-C34-P	
EAMH-145-25-C34-P	145	25	4000	32.1	217	1354110	EAMH-145-25-C34-P	

Accessories

Clamping sleeve EAMH, without trunnion

Material:

Corrosion-resistant steel

RoHS-compliant

Clamping sleeves for adapting third-party motors with deviating shaft diameters to the parallel kits.

Can only be used in combination with parallel kit EAMM-U-...-D/S.



Ordering data								
Type	For size	For shaft diameter, motor/axis ø h7 ... k7	Max. rotational speed [rpm]	Mass moment of inertia [kg mm ²]	Ambient temperature [°C]	Weight [g]	Part no.	Type
EAMH-50-5-C13.6	50	5	6000	0.44	-10 ... +60	19	2428478	EAMH-50-5-C13.6
EAMH-50-6-C13.6	50	6	6000	0.43		19	2428479	EAMH-50-6-C13.6
EAMH-50-8-C13.6	50	8	6000	0.40		16	2428480	EAMH-50-8-C13.6
EAMH-60-6-C18.1	60	6	6000	1.46		36	2428515	EAMH-60-6-C18.1
EAMH-60-6.35-C18.1	60	6.35	6000	1.46		36	2428516	EAMH-60-6.35-C18.1
EAMH-60-8-C18.1	60	8	6000	1.44		34	2428517	EAMH-60-8-C18.1
EAMH-60-9-C18.1	60	9	6000	1.42		32	2428518	EAMH-60-9-C18.1
EAMH-60-10-C18.1	60	10	6000	1.38		30	2428519	EAMH-60-10-C18.1
EAMH-60-11-C18.1	60	11	6000	1.31		28	2789160	EAMH-60-11-C18.1
EAMH-60-12-C18.1	60	12	6000	1.22		26	2428520	EAMH-60-12-C18.1
EAMH-60-14-C18.1	60	14	6000	1.03		21	8125353	EAMH-60-14-C18.1
EAMH-86-6-C27.3	70, 86	6	5000	10.2		122	2789214	EAMH-86-6-C27.3
EAMH-86-8-C27.3	70, 86	8	5000	10.3		119	2429531	EAMH-86-8-C27.3
EAMH-86-9-C27.3	70, 86	9	5000	11.6		116	2789221	EAMH-86-9-C27.3
EAMH-86-10-C27.3	70, 86	10	5000	10.1		114	2789230	EAMH-86-10-C27.3
EAMH-86-11-C27.3	70, 86	11	5000	10.2		112	2429532	EAMH-86-11-C27.3
EAMH-86-12-C27.3	70, 86	12	5000	10.1	109	2429533	EAMH-86-12-C27.3	
EAMH-86-14-C27.3	70, 86	14	5000	9.9	102	2429534	EAMH-86-14-C27.3	
EAMH-86-16-C27.3	70, 86	16	5000	9.5	94	2430397	EAMH-86-16-C27.3	
EAMH-86-19-C27.3	70, 86	19	5000	8.2	76	2429535	EAMH-86-19-C27.3	
EAMH-110-11-C34	110	11	5000	32.2	233	2429555	EAMH-110-11-C34	
EAMH-110-12-C34	110	12	5000	32.1	229	2429556	EAMH-110-12-C34	
EAMH-110-14-C34	110	14	5000	31.8	219	2429557	EAMH-110-14-C34	
EAMH-110-16-C34	110	16	5000	31.2	208	2429558	EAMH-110-16-C34	
EAMH-110-19-C34	110	19	5000	29.9	188	2429559	EAMH-110-19-C34	
EAMH-110-20-C34	110	20	5000	29.2	180	2429560	EAMH-110-20-C34	
EAMH-110-22-C34	110	22	5000	27.3	162	2430411	EAMH-110-22-C34	
EAMH-110-25-C34	110	25	5000	23.4	133	2429561	EAMH-110-25-C34	
EAMH-145-12-C34	145	12	4000	38.1	274	2429590	EAMH-145-12-C34	
EAMH-145-19-C34	145	19	4000	35.5	227	2429591	EAMH-145-19-C34	
EAMH-145-22-C34	145	22	4000	32.5	198	8098588	EAMH-145-22-C34	
EAMH-145-24-C34	145	24	4000	30.0	177	2429592	EAMH-145-24-C34	
EAMH-145-25-C34	145	25	4000	28.1	165	2429593	EAMH-145-25-C34	

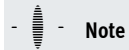
Accessories

Seal set

RoHS-compliant

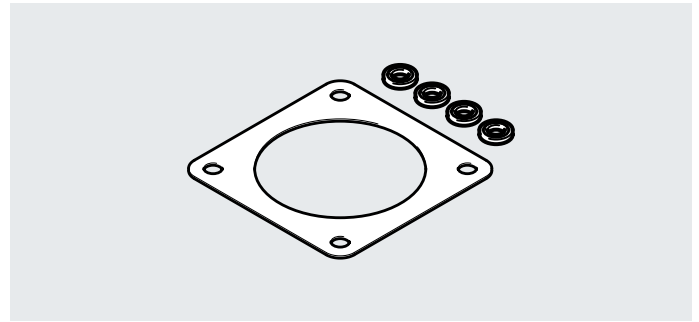
Spare part for degree of protection to IP65. Seal between:

- Motor and parallel kit
- Motor and gear unit
- Motor and geometry of customer equipment



Note

The seal reduces the dissipation of heat between the motor and the flange. Note the derating of the motor.



Ordering data					
Type	For parallel kit	For motor/ integrated drive	Ambient temperature [°C]	Part no.	Type
EADS-F-40P	EAMM-U-50-D32-40P-78-S1	EMME-AS-40	-25 ... +60	2481475	EADS-F-40P
EADS-F-60P	EAMM-U-70-D32-60P-96-S1 EAMM-U-70-D40-60P-96-S1	EMMT-AS-60, EMME-AS-60	-25 ... +60	2481479	EADS-F-60P
EADS-F-80P	EAMM-U-86-D40-80P-102-S1 EAMM-U-86-D50-80P-102-S1 EAMM-U-86-D60-80P-102-S1	EMME-AS-80	-25 ... +60	2481481	EADS-F-80P
EADS-F-100A	EAMM-U-110-D50-100A-120-S1 EAMM-U-110-D60-100A-120-S1 EAMM-U-110-D80-100A-120-S1	EMME-AS-100	-25 ... +60	2481483	EADS-F-100A
EADS-F-140A	EAMM-U-145-D80-140A-188-S1 EAMM-U-145-D100-140A-188-S1	EMMS-AS-140	-25 ... +60	2481484	EADS-F-140A
EADS-F-42A	EAMM-U-50-D32-42A-78-S1	EMMS-ST-42	-25 ... +60	2481476	EADS-F-42A
EADS-F-57A	EAMM-U-60-D32-57A-91-S1 EAMM-U-60-D40-57A-91-S1	EMMS-ST-57	-25 ... +60	2481478	EADS-F-57A
EADS-F-87A	EAMM-U-86-D40-87A-102-S1 EAMM-U-86-D50-87A-102-S1 EAMM-U-86-D60-87A-102-S1	EMMS-ST-87	-25 ... +60	2481482	EADS-F-87A
EADS-F-67A	EAMM-U-60-D32-67A-91-S1 EAMM-U-60-D40-67A-91-S1	EMCA-67	-25 ... +60	1529479	EADS-F-67A/B

Overview of interfaces

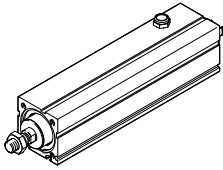


Axis mechanism interface	
V20	EPCC-25, EGSC-25
V25	EPCC-32, EGSC-32, ELGC-BS-32
V32	EPCC-45, EGSC-45, ELGC-BS-45
T42	EPCC-60, EGSC-60, ELGC-BS-60
T46	ELGC-BS-80, ELGT-BS-90/-120/-160

Motor interface	
28A	Stepper motor EMMS-ST-28
28AA	Third-party motor
35A	Third-party motor
35AB	Third-party motor
38AA	Third-party motor
40P	Servo motor EMME-AS-40
40R	Third-party motor
40RA	Third-party motor
42A	Stepper motor EMMS-ST-42, third-party motor
42AA	Third-party motor
42AB	Third-party motor
55A	Third-party motor
57A	Stepper motor EMMS-ST-57, third-party motor
58AA	Third-party motor
60AA	Third-party motor
60AB	Third-party motor
60P	Servo motor EMMT-AS-60, EMME-AS-60, third-party motor
60PA	Third-party motor
60R	Third-party motor
60RA	Third-party motor
67A	Integrated drive EMCA-EC
70A	Third-party motor
70AA	Third-party motor
80P	Servo motor EMMT-AS-80, EMME-AS-80, third-party motor
80PA	Third-party motor
80PB	Third-party motor
80RA	Third-party motor
85AA	Third-party motor
87A	Stepper motor EMMS-ST-87
100A	Servo motor EMMT-AS-100, EMME-AS-100, third-party motor

Product range overview

Permissible axis/motor combinations with electric cylinder EPCC

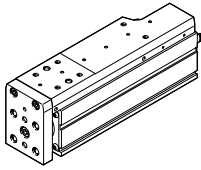


- The kit can be mounted in all directions
- Table of interfaces for third-party motors → from page 60

Motor ¹⁾ Type	Motor interface	Parallel kit	
		Part no.	Type
EPCC-25			
With stepper motor			
EMMS-ST-28-...	28A	4767125	EAMM-U-30-V20-28A-44
Third-party motor	28AA	8093176	EAMM-U-30-V20-28AA-44
EPCC-32			
With servo motor			
Third-party motor	38AA	8093197	EAMM-U-45-V25-38AA-63
EMME-AS-40-...	40P	4782056	EAMM-U-45-V25-40P-63
Third-party motor	40R	8091655	EAMM-U-45-V25-40R-63
Third-party motor	40RA	8095513	EAMM-U-45-V25-40RA-63
With stepper motor			
Third-party motor	35A, 35AB	8093286	EAMM-U-38-V25-35A-63
EMMS-ST-42-...	42A	4825645	EAMM-U-45-V25-42A-63
Third-party motor	42AB	8095562	EAMM-U-45-V25-42AB-63
EPCC-45			
With servo motor			
Third-party motor	38AA	8092623	EAMM-U-45-V32-38AA-63
EMME-AS-40-...	40P	4718297	EAMM-U-45-V32-40P-63
Third-party motor	40R	8091631	EAMM-U-45-V32-40R-63
Third-party motor	40RA	8095650	EAMM-U-45-V32-40RA-63
With stepper motor			
EMMS-ST-42-...	42A	4280674	EAMM-U-45-V32-42A-63
Third-party motor	42AB	8095613	EAMM-U-45-V32-42AB-63
EPCC-60			
With servo motor			
EMMT-AS-60-..., EMME-AS-60-...	60P	4784301	EAMM-U-65-T42-60P-87
Third-party motor	60PA	8091225	EAMM-U-65-T42-60PA-87
Third-party motor	60R	8093364	EAMM-U-65-T42-60R-87
Third-party motor	60RA	8093199	EAMM-U-65-T42-60RA-87
With stepper motor			
EMMS-ST-57-...	57A	4331535	EAMM-U-65-T42-57A-87
Third-party motor	60AA	8093189	EAMM-U-65-T42-60AA-87
Third-party motor	60AB	8096187	EAMM-U-65-T42-60AB-87

Product range overview

Permissible axis/motor combinations with mini slide EGSC-BS



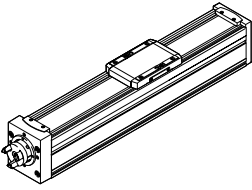
- The kit can be mounted in all directions
- Table of interfaces for third-party motors → from page 60

Motor ¹⁾ Type	Motor interface	Parallel kit	
		Part no.	Type
EGSC-25			
With stepper motor			
EMMS-ST-28-...	28A	4767125	EAMM-U-30-V20-28A-44
Third-party motor	28AA	8093176	EAMM-U-30-V20-28AA-44
EGSC-32			
With servo motor			
Third-party motor	38AA	8093197	EAMM-U-45-V25-38AA-63
EMME-AS-40-...	40P	4782056	EAMM-U-45-V25-40P-63
Third-party motor	40R	8091655	EAMM-U-45-V25-40R-63
Third-party motor	40RA	8095513	EAMM-U-45-V25-40RA-63
With stepper motor			
Third-party motor	35A, 35AB	8093286	EAMM-U-38-V25-35A-63
EMMS-ST-42-...	42A	4825645	EAMM-U-45-V25-42A-63
Third-party motor	42AB	8095562	EAMM-U-45-V25-42AB-63
EGSC-45			
With servo motor			
Third-party motor	38AA	8092623	EAMM-U-45-V32-38AA-63
EMME-AS-40-...	40P	4718297	EAMM-U-45-V32-40P-63
Third-party motor	40R	8091631	EAMM-U-45-V32-40R-63
Third-party motor	40RA	8095650	EAMM-U-45-V32-40RA-63
With stepper motor			
EMMS-ST-42-...	42A	4280674	EAMM-U-45-V32-42A-63
Third-party motor	42AB	8095613	EAMM-U-45-V32-42AB-63
EGSC-60			
With servo motor			
Third-party motor	55A	8092868	EAMM-U-65-T42-55A-87
Third-party motor	58AA	8092909	EAMM-U-65-T42-58AA-87
EMMT-AS-60-..., EMME-AS-60-...	60P	4784301	EAMM-U-65-T42-60P-87
Third-party motor	60PA	8091225	EAMM-U-65-T42-60PA-87
Third-party motor	60R	8093364	EAMM-U-65-T42-60R-87
Third-party motor	60RA	8093199	EAMM-U-65-T42-60RA-87
With stepper motor			
EMMS-ST-57-...	57A	4331535	EAMM-U-65-T42-57A-87
Third-party motor	60AA	8093189	EAMM-U-65-T42-60AA-87
Third-party motor	60AB	8096187	EAMM-U-65-T42-60AB-87
With integrated drive			
EMCA-EC-67	67A	8084498	EAMM-U-65-T42-67A-87

1) The input torque must not exceed the max. permissible transferable torque of the parallel kit.

Product range overview

Permissible axis/motor combinations with spindle axis ELGC-BS



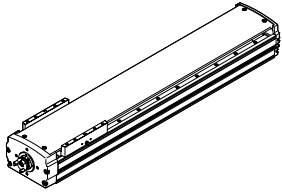
- The kit can be mounted in all directions
- Table of interfaces for third-party motors → from page 60

Motor ¹⁾ Type	Motor interface	Parallel kit	
		Part no.	Type
ELGC-BS-32			
With servo motor			
Third-party motor	38AA	8093197	EAMM-U-45-V25-38AA-63
EMME-AS-40-...	40P	4782056	EAMM-U-45-V25-40P-63
Third-party motor	40R	8091655	EAMM-U-45-V25-40R-63
Third-party motor	40RA	8095513	EAMM-U-45-V25-40RA-63
With stepper motor			
Third-party motor	35A, 35AB	8093286	EAMM-U-38-V25-35A-63
EMMS-ST-42-...	42A	4825645	EAMM-U-45-V25-42A-63
Third-party motor	42AB	8095562	EAMM-U-45-V25-42AB-63
ELGC-BS-45			
With servo motor			
Third-party motor	38AA	8092623	EAMM-U-45-V32-38AA-63
EMME-AS-40-...	40P	4718297	EAMM-U-45-V32-40P-63
Third-party motor	40R	8091631	EAMM-U-45-V32-40R-63
Third-party motor	40RA	8095650	EAMM-U-45-V32-40RA-63
With stepper motor			
EMMS-ST-42-...	42A	4280674	EAMM-U-45-V32-42A-63
Third-party motor	42AB	8095613	EAMM-U-45-V32-42AB-63
ELGC-BS-60			
With servo motor			
Third-party motor	55A	8092868	EAMM-U-65-T42-55A-87
Third-party motor	58AA	8092909	EAMM-U-65-T42-58AA-87
EMMT-AS-60-..., EMME-AS-60-...	60P	4784301	EAMM-U-65-T42-60P-87
Third-party motor	60PA	8091225	EAMM-U-65-T42-60PA-87
Third-party motor	60R	8093364	EAMM-U-65-T42-60R-87
Third-party motor	60RA	8093199	EAMM-U-65-T42-60RA-87
With stepper motor			
EMMS-ST-57-...	57A	4331535	EAMM-U-65-T42-57A-87
Third-party motor	60AA	8093189	EAMM-U-65-T42-60AA-87
Third-party motor	60AB	8096187	EAMM-U-65-T42-60AB-87
With integrated drive			
EMCA-AS-67	67A	8084498	EAMM-U-65-T42-67A-87
ELGC-BS-80			
With servo motor			
EMMT-AS-60-..., EMME-AS-60-...	60P, 60PA	4824069	EAMM-U-87-T46-60P-114
Third-party motor	70A	8092891	EAMM-U-87-T46-70A-114
Third-party motor	70AA, 70AB	8096220	EAMM-U-87-T46-70AA-114
EMMT-AS-80-..., EMME-AS-80-...	80P	4822696	EAMM-U-87-T46-80P-114
Third-party motor	80PA	8091537	EAMM-U-87-T46-80PA-114
Third-party motor	80PB	8096289	EAMM-U-87-T46-80PB-114
Third-party motor	85AA	8097655	EAMM-U-87-T46-85AA-114
With stepper motor			
EMMS-ST-87-...	87A	4819278	EAMM-U-87-T46-87A-114
With integrated drive			
EMCA-EC-67	67A	8084496	EAMM-U-87-T46-67A-114

1) The input torque must not exceed the max. permissible transferable torque of the parallel kit.

Product range overview

Permissible axis/motor combinations with spindle axis ELGT-BS



- The kit can be mounted in all directions
- Table of interfaces for third-party motors → from page 60

Motor ¹⁾ Type	Motor interface	Parallel kit	
		Part no.	Type
ELGT-BS-90/-120			
With servo motor			
EMMT-AS-60-..., EMME-AS-60-...	60P, 60PA	4824069	EAMM-U-87-T46-60P-114
Third-party motor	60R	8126171	EAMM-U-87-T46-60R-114
Third-party motor	60RA	8126172	EAMM-U-87-T46-60RA-114
Third-party motor	70A	8092891	EAMM-U-87-T46-70A-114
Third-party motor	70AA, 70AB	8096220	EAMM-U-87-T46-70AA-114
EMMT-AS-80-..., EMME-AS-80-...	80P	4822696	EAMM-U-87-T46-80P-114
Third-party motor	80PA, 80RA	8091537	EAMM-U-87-T46-80PA-114
Third-party motor	80PB, 80R	8096289	EAMM-U-87-T46-80PB-114
Third-party motor	85AA	8097655	EAMM-U-87-T46-85AA-114
With stepper motor			
EMMS-ST-87-...	87A	4819278	EAMM-U-87-T46-87A-114
With integrated drive			
EMCA-EC-67	67A	8084496	EAMM-U-87-T46-67A-114
ELGT-BS-160			
With servo motor			
EMMT-AS-60-..., EMME-AS-60-..., third-party motor	60P, 60PA	8126161	EAMM-U-87-T46-60P-147
Third-party motor	60R	8126162	EAMM-U-87-T46-60R-147
Third-party motor	60RA	8126163	EAMM-U-87-T46-60RA-147
Third-party motor	70A	8126165	EAMM-U-87-T46-70A-147
Third-party motor	70AA, 70AB	8126166	EAMM-U-87-T46-70AA-147
EMMT-AS-80-..., EMME-AS-80-..., third-party motor	80P, 80PA, 80RA	8126167	EAMM-U-87-T46-80P-147
Third-party motor	80PB, 80R	8126168	EAMM-U-87-T46-80PB-147
Third-party motor	85AA	8126169	EAMM-U-87-T46-85AA-147
With stepper motor			
EMMS-ST-87-...	87A	8126170	EAMM-U-87-T46-87A-147
With integrated drive			
EMCA-EC-67	67A	8126164	EAMM-U-87-T46-67A-147

1) The input torque must not exceed the max. permissible transferable torque of the parallel kit.

Data sheet

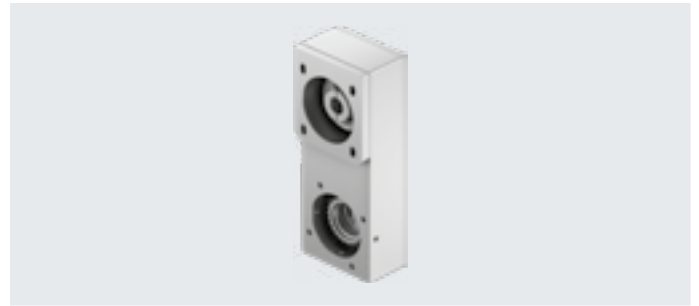
Material:

Housing and coupling hub: Wrought aluminium alloy

Toothed belt pulley: Sintered steel

Toothed belt: Polychloroprene

Screws: Steel



General technical data								→ Page
Type	For axis	Transferable torque [Nm]	Mass moment of inertia [kgmm ²]	Max. rotational speed [rpm]	No-load driving torque [Nm]	Weight [g]		
EAMM-U-30-V20-28A-44	EPCC, EGSC	0.055	2.11	3000	0.015	97	54	
EAMM-U-30-V20-28AA-44	EPCC, EGSC	0.055	2.11	3000	0.015	94		
EAMM-U-45-V25-38AA-63	EPCC, EGSC, ELGC-BS	0.5	4.34	3600	0.05	264		
EAMM-U-45-V25-40P-63	EPCC, EGSC, ELGC-BS	0.5	4.35	3600	0.05	253		
EAMM-U-45-V25-40R-63	EPCC, EGSC, ELGC-BS	0.5	4.34	3600	0.05	267		
EAMM-U-45-V25-40RA-63	EPCC, EGSC, ELGC-BS	0.5	4.34	3600	0.05	245		
EAMM-U-45-V25-42A-63	EPCC, EGSC, ELGC-BS	0.5	4.35	3600	0.05	247		
EAMM-U-45-V25-42AB-63	EPCC, EGSC, ELGC-BS	0.5	4.34	3600	0.05	247		
EAMM-U-45-V32-38AA-63	EPCC, EGSC, ELGC-BS	1.0	4.34	3600	0.05	259		
EAMM-U-45-V32-40P-63	EPCC, EGSC, ELGC-BS	1.0	4.34	3600	0.05	243		
EAMM-U-45-V32-40R-63	EPCC, EGSC, ELGC-BS	1.0	4.34	3600	0.05	262		
EAMM-U-45-V32-40RA-63	EPCC, EGSC, ELGC-BS	1.0	4.34	3600	0.05	240		
EAMM-U-45-V32-42A-63	EPCC, EGSC, ELGC-BS	1.0	4.35	3600	0.05	248		
EAMM-U-45-V32-42AB-63	EPCC, EGSC, ELGC-BS	1.0	4.35	3600	0.05	242		
EAMM-U-65-T42-55A-87	EPCC, EGSC, ELGC-BS	3.0	41.2	3000	0.22	617		
EAMM-U-65-T42-57A-87	EPCC, EGSC, ELGC-BS	3.0	41.2	3000	0.22	594		
EAMM-U-65-T42-58AA-87	EPCC, EGSC, ELGC-BS	3.0	41.2	3000	0.22	590		
EAMM-U-65-T42-60AA-87	EPCC, EGSC, ELGC-BS	3.0	41.2	3000	0.22	583		
EAMM-U-65-T42-60AB-87	EPCC, EGSC, ELGC-BS	3.0	41.2	3000	0.22	582		
EAMM-U-65-T42-60P-87	EPCC, EGSC, ELGC-BS	3.0	41.0	3000	0.22	583		
EAMM-U-65-T42-60PA-87	EPCC, EGSC, ELGC-BS	3.0	41.0	3000	0.22	600		
EAMM-U-65-T42-60R-87	EPCC, EGSC, ELGC-BS	3.0	41.1	3000	0.22	602		
EAMM-U-65-T42-60RA-87	EPCC, EGSC, ELGC-BS	3.0	41.1	3000	0.22	601		
EAMM-U-65-T42-67A-87	EPCC, EGSC, ELGC-BS	3.0	41.2	3000	0.22	663		

Product range overview

General technical data							
Type	For axis	Transferable torque [Nm]	Mass moment of inertia [kgmm ²]	Max. rotational speed [rpm]	No-load driving torque [Nm]	Weight [g]	→ Page
EAMM-U-87-T46-60P-114	ELGC-BS, ELGT-BS	3.0	41.0	3000	0.22	905	54
EAMM-U-87-T46-60R-114	ELGC-BS, ELGT-BS	3.0	41.0	3000	0.22	906	
EAMM-U-87-T46-60RA-114	ELGC-BS, ELGT-BS	3.0	41.0	3000	0.22	905	
EAMM-U-87-T46-67A-114	ELGC-BS, ELGT-BS	3.0	41.2	3000	0.22	966	
EAMM-U-87-T46-70A-114	ELGC-BS, ELGT-BS	3.0	41.1	3000	0.22	926	
EAMM-U-87-T46-70AA-114	ELGC-BS, ELGT-BS	3.0	41.0	3000	0.22	926	
EAMM-U-87-T46-80P-114	ELGC-BS, ELGT-BS	3.0	44.2	3000	0.22	1140	
EAMM-U-87-T46-80PA-114	ELGC-BS, ELGT-BS	3.0	44.2	3000	0.22	1057	
EAMM-U-87-T46-80PB-114	ELGC-BS, ELGT-BS	3.0	44.6	3000	0.22	1062	
EAMM-A-87-T46-85AA-114	ELGC-BS, ELGT-BS	3.0	41.0	3000	0.22	986	
EAMM-U-87-T46-87A-114	ELGC-BS, ELGT-BS	3.0	41.0	3000	0.22	877	
EAMM-U-87-T46-60P-147	ELGT-BS	3.0	41.0	3000	0.22	1015	
EAMM-U-87-T46-60R-147	ELGT-BS	3.0	41.1	3000	0.22	1017	
EAMM-U-87-T46-60RA-147	ELGT-BS	3.0	41.1	3000	0.22	1015	
EAMM-U-87-T46-70A-147	ELGT-BS	3.0	41.1	3000	0.22	1037	
EAMM-U-87-T46-70AA-147	ELGT-BS	3.0	41.2	3000	0.22	1037	
EAMM-U-87-T46-80P-147	ELGT-BS	3.0	44.2	3000	0.22	1154	
EAMM-U-87-T46-80PB-147	ELGT-BS	3.0	44.6	3000	0.22	1159	
EAMM-A-87-T46-85AA-147	ELGT-BS	3.0	41.0	3000	0.22	1097	
EAMM-U-87-T46-87A-147	ELGT-BS	3.0	41.2	3000	0.22	1256	
EAMM-U-87-T46-67A-147	ELGT-BS	3.0	41.1	3000	0.22	1077	

Data sheet

Operating and environmental conditions	
Gear ratio	1:1
Ambient temperature [°C]	0 ... +50
Storage temperature [°C]	-20 ... +60
Degree of protection ¹⁾	IP40
Relative humidity [%]	0 ... 95
Corrosion resistance class CRC ²⁾	1
Note on materials	RoHS-compliant
	Contains paint-wetting impairment substances

1) Only in combination with attached motor and axis.

2) Corrosion resistance class CRC 1 to Festo standard FN 940070

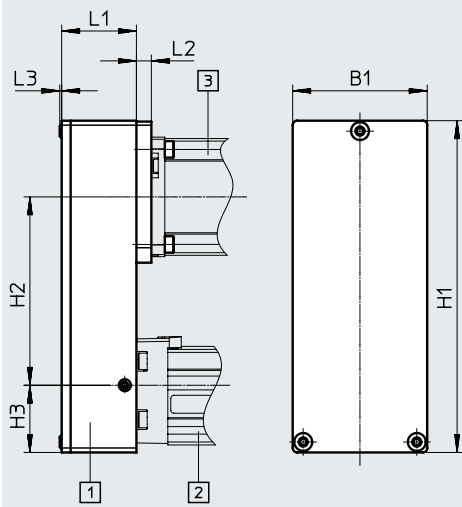
Low corrosion stress. Dry indoor application or transport and storage protection. Also applies to parts behind covers, in the non-visible interior area, and parts which are covered in the application (e.g. drive trunnions).

Data sheet

Dimensions and ordering data

Download CAD data → www.festo.com

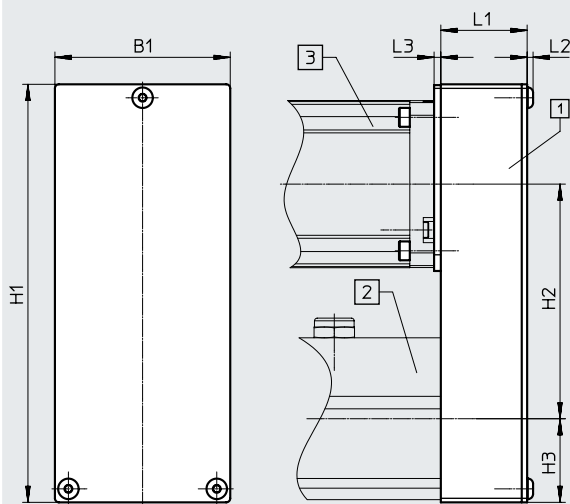
EGSC-BS, ELGC-BS-...



Main illustration:

- [1] Parallel kit
- [2] Mini slide, spindle axis
- [3] Motor

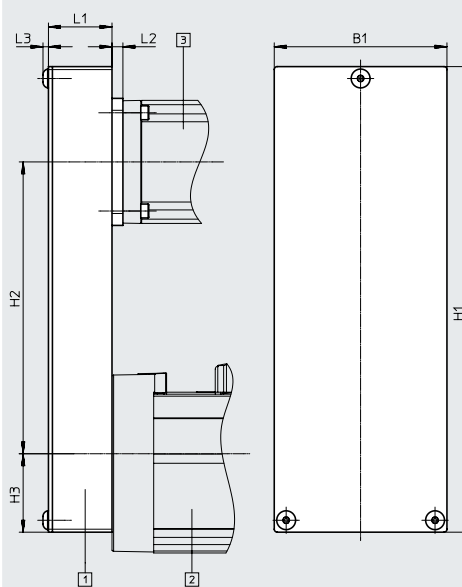
EPCC



Main illustration:

- [1] Parallel kit
- [2] Electric cylinder
- [3] Motor

ELGT-BS



Main illustration:

- [1] Parallel kit
- [2] Spindle axis
- [3] Motor

Data sheet

Type	B1	H1	H2	H3	L1	L2	L3	Part no.	Type
EAMM-U-30-V20-28A-44	30	76	44	15	18.2	8.1	1.6	4767125	EAMM-U-30-V20-28A-44
EAMM-U-30-V20-28AA-44	30	76	44	15	18.2	4	1.6	8093176	EAMM-U-30-V20-28AA-44
EAMM-U-38-V25-35A-63	38	105	63	19.5	24	5	1.7	8093286	EAMM-U-38-V25-35A-63
EAMM-U-45-V25-38AA-63	45	111	63	22.5	24	5	1.7	8093197	EAMM-U-45-V25-38AA-63
EAMM-U-45-V25-40P-63	45	111	63	22.5	24	5	1.7	4782056	EAMM-U-45-V25-40P-63
EAMM-U-45-V25-40R-63	45	111	63	22.5	24	10.5	1.7	8091655	EAMM-U-45-V25-40R-63
EAMM-U-45-V25-40RA-63	45	111	63	22.5	24	3.5	1.7	8095513	EAMM-U-45-V25-40RA-63
EAMM-U-45-V25-42A-63	45	111	63	22.5	24	4	1.7	4825645	EAMM-U-45-V25-42A-63
EAMM-U-45-V25-42AB-63	45	111	63	22.5	24	4	1.7	8095562	EAMM-U-45-V25-42AB-63
EAMM-U-45-V32-38AA-63	45	111	63	22.5	24	11	1.7	8092623	EAMM-U-45-V32-38AA-63
EAMM-U-45-V32-40P-63	45	111	63	22.5	24	5	1.7	4718297	EAMM-U-45-V32-40P-63
EAMM-U-45-V32-40R-63	45	111	63	22.5	24	10.5	1.7	8091631	EAMM-U-45-V32-40R-63
EAMM-U-45-V32-40RA-63	45	111	63	22.5	24	3.5	1.7	8095650	EAMM-U-45-V32-40RA-63
EAMM-U-45-V32-42A-63	45	111	63	22.5	24	4	1.7	4280674	EAMM-U-45-V32-42A-63
EAMM-U-45-V32-42AB-63	45	111	63	22.5	24	4	1.7	8095613	EAMM-U-45-V32-42AB-63
EAMM-U-65-T42-55A-87	65	155	87	31	32	6.5	2.2	8092868	EAMM-U-65-T42-55A-87
EAMM-U-65-T42-57A-87	65	155	87	31	32	1	2.2	4331535	EAMM-U-65-T42-57A-87
EAMM-U-65-T42-58AA-87	65	155	87	31	32	2.5	2.2	8092909	EAMM-U-65-T42-58AA-87
EAMM-U-65-T42-60AA-87	65	155	87	31	32	2.5	2.2	8093189	EAMM-U-65-T42-60AA-87
EAMM-U-65-T42-60AB-87	65	155	87	31	32	2.5	2.2	8096187	EAMM-U-65-T42-60AB-87
EAMM-U-65-T42-60P-87	65	155	87	31	32	2.5	2.2	4784301	EAMM-U-65-T42-60P-87
EAMM-U-65-T42-60PA-87	65	155	87	31	32	5.5	2.2	8091225	EAMM-U-65-T42-60PA-87
EAMM-U-65-T42-60R-87	65	155	87	31	32	5.5	2.2	8093364	EAMM-U-65-T42-60R-87
EAMM-U-65-T42-60RA-87	65	155	87	31	32	5.5	2.2	8093199	EAMM-U-65-T42-60RA-87
EAMM-U-65-T42-67A-87	65	155	87	31	32	8.5	2.2	8084498	EAMM-U-65-T42-67A-87
EAMM-U-87-T46-60P-114	87	201.5	114	39.5	32	3	2.8	4824069	EAMM-U-87-T46-60P-114
EAMM-U-87-T46-60R-114	87	201.5	114	39.5	32	5.5	2.8	8126171	EAMM-U-87-T46-60R-114
EAMM-U-87-T46-60RA-114	87	201.5	114	39.5	32	5.5	2.8	8126172	EAMM-U-87-T46-60RA-114
EAMM-U-87-T46-80P-114	87	201.5	114	39.5	32	8.5	2.8	4822696	EAMM-U-87-T46-80P-114
EAMM-U-87-T46-70A-114	87	201.5	114	39.5	32	7	2.8	8092891	EAMM-U-87-T46-70A-114
EAMM-U-87-T46-70AA-114	87	201.5	114	39.5	32	7	2.8	8096220	EAMM-U-87-T46-70AA-114
EAMM-U-87-T46-80P-114	87	201.5	114	39.5	32	19.2	2.8	4822696	EAMM-U-87-T46-80P-114
EAMM-U-87-T46-80PA-114	87	201.5	114	39.5	32	24.7	2.8	8091537	EAMM-U-87-T46-80PA-114
EAMM-U-87-T46-80PB-114	87	201.5	114	39.5	32	24.7	2.8	8096289	EAMM-U-87-T46-80PB-114
EAMM-A-87-T46-85AA-114	87	201.5	114	39.5	32	10	2.8	8097655	EAMM-A-87-T46-85AA-114
EAMM-U-87-T46-87A-114	87	201.5	114	39.5	32	2.5	2.8	4819278	EAMM-U-87-T46-87A-114
EAMM-U-87-T46-60P-147	87	234.5	147	39.5	32	5.5	2.8	8126161	EAMM-U-87-T46-60P-147
EAMM-U-87-T46-60R-147	87	234.5	147	39.5	32	5.5	2.8	8126162	EAMM-U-87-T46-60R-147
EAMM-U-87-T46-60RA-147	87	234.5	147	39.5	32	5.5	2.8	8126163	EAMM-U-87-T46-60RA-147
EAMM-U-87-T46-70A-147	87	234.5	147	39.5	32	5.5	2.8	8126165	EAMM-U-87-T46-70A-147
EAMM-U-87-T46-70AA-147	87	234.5	147	39.5	32	7	2.8	8126166	EAMM-U-87-T46-70AA-147
EAMM-U-87-T46-80P-147	87	234.5	147	39.5	32	24.7	2.8	8126167	EAMM-U-87-T46-80P-147
EAMM-U-87-T46-80PB-147	87	234.5	147	39.5	32	24.7	2.8	8126168	EAMM-U-87-T46-80PB-147
EAMM-A-87-T46-85AA-147	87	234.5	147	39.5	32	10	2.8	8126169	EAMM-A-87-T46-85AA-147
EAMM-U-87-T46-87A-147	87	234.5	147	39.5	32	2.5	2.8	8126170	EAMM-U-87-T46-87A-147
EAMM-U-87-T46-67A-147	87	234.5	147	39.5	32	8.5	2.8	8126164	EAMM-U-87-T46-67A-147

Overview of interfaces

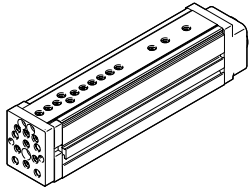


Axis mechanism interface	
D32	EGSL-45
D40	EGSL-55

Motor interface	
40A	Third-party motor
55A	Third-party motor

Product range overview

Permissible axis/motor combinations with mini slide EGSL



- The kit can only be mounted at the side and underneath.

Motor Type	Motor interface	Parallel kit	
		Part no.	Type
EGSL-45			
With servo motor			
Third-party motor	40A	543150	EAMM-U-D32-40A
EGSL-55			
With servo motor			
Third-party motor	55A	543157	EAMM-U-D40-55A

Data sheet

Material:

Housing: Gravity die-cast aluminium

Clamping part, clamping sleeve,
toothed belt pulley: Corrosion-resistant
steel

Toothed belt: Polychloroprene

Screws: Galvanised steel



General technical data

Type	For axis	Transferable torque [Nm]	Mass moment of inertia [kgmm ²]	Max. rotational speed [rpm]	No-load driving torque [Nm]	Weight [g]	→ Page
EAMM-U-D32-40A	EGSL	1	2.93	6000	0.05	300	59
EAMM-U-D40-55A	EGSL	3	10.0	5000	0.1	530	

Operating and environmental conditions

Gear ratio	1:1
Ambient temperature [°C]	0 ... +50
Storage temperature [°C]	-25 ... +60
Degree of protection ¹⁾	IP40
Relative humidity [%]	0 ... 95
Corrosion resistance class CRC ²⁾	1
Note on materials	Contains paint-wetting impairment substances
	RoHS-compliant

1) Only in combination with attached motor and axis.

2) Corrosion resistance class CRC 1 to Festo standard FN 940070

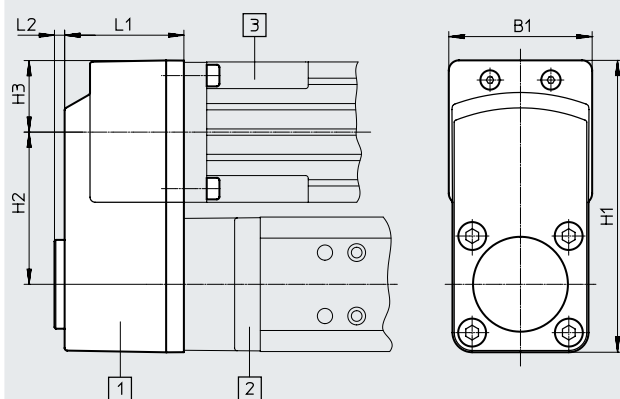
Low corrosion stress. Dry indoor application or transport and storage protection. Also applies to parts behind covers, in the non-visible interior area, and parts which are covered in the application (e.g. drive trunnions).

Data sheet

Dimensions and ordering data


Download CAD data → www.festo.com

EGSL...



Main illustration:

- [1] Parallel kit
- [2] Mini slide
- [3] Motor

-  - **Note**

The kit can only be mounted at the side and underneath

Type	B1	H1	H2 ±0.1	H3	L1	L2	Part no.	Type
EAMM-U-D32-40A	45.1	93.1	48	22.6	40	4	543150	EAMM-U-D32-40A
EAMM-U-D40-55A	56.5	115	60	28.2	47	4	543157	EAMM-U-D40-55A

Product range overview

Third-party motors and gear units			
Manufacturer	Type	Motor interface	
Fastech	EzM2-28	28AA	
Moons	MS11HS		
Oriental Motor	AR2x, AZ2x, CVK22		
Sanyo Denki	SH22xx		
Fastech	EzM2-35	35A	
Fulling	35 SH		
Minebea	14PY-Z		
Sanyo Denki	SH35xx		
Bosch Rexroth	MSM019A; MSM019B	38AA	
Panasonic	MSMD012J1, MSMF012, MSMF5A		
Schneider Electric	BMH 1403	40A	
Apex Dynamics INC.	PG040	40G	
B+R Automation	8GP30-040		
Bosch Rexroth	GTE040		
Neugart	PLE 040, WPLE 40		
Wittenstein Alpha	CP 005,CPK 005	40R	
Allen-Bradley/Rockwell Automation	TL-A1x, TLY-A1x		
B+R Automation	8LVA1		
Beckhoff	AM301x, AM311x, AM811x, AM801x		
Inovance	ISMH1-10B30		
Kollmorgen	AKM1xx-Ax		
Mitsubishi	HF-KE13, HF-KP053, HF-KP13, HF-MP053, HF-MP13, HG-MR13B		
Omron	R7M-A10030, R88M-x05030, R88M-x10030, SGMAV-01A, SGMAV-A5A, SGMV-C2A, SGMJV-01A, SGMJV-05A		
Sanyo Denki	R2EA04008, R2xA04005		
Siemens	1FK2102-0AG..., 1FK2102-1AG...,		
YASKAWA	SGM7J-A5A.A2., SGM7J-01A.A2., SGM7J-C2A.A2., SGM7JA-A5A.A2., SGM7JA-01A.A2., SGM7JA-C2A.A2.		
Siemens	1FK701x		40RA
Beckhoff	AS1010, AS1020	42A	
Fastech	EzM2-42		
Minebea	17PY-Z (IP20)		
Moons	MS17HA (IP20)		
Nanotec	ST4209		
Schneider Electric	ILP2R42x		
Oriental Motor	AR4x, AZ4x		
Apex Dynamics INC.	PE 050		
Neugart	PLPE 50, WPLPE 50		
Wittenstein Alpha	NP 005, NPK 005, LP+ 050, LPK+ 050, LK+ 050		
Allen-Bradley/Rockwell Automation	MPL-x15, VPL-x063x	55A	
AMK	DT3		
B+R Automation	8LSA2		
Baumüller	DSD2-028		
Beckhoff	AM227LL, AM227M, AM802x, AM812x		
Schneider Electric	BMH 055, BSH 055		
Siemens	1FK7022, 1FT6021, 1FT6024		
SEW Eurodrive	PSF 121, PSF 122, PSKF 121, PSKF 122		
Fastech	EzM2-56		56GA
Minebea	23KY-K (IP20)		
Moons	MS23HA (IP20)		
Oriental Motor	PKP26		
B+R Automation	80MPF	57A	
Nanotec	ST6018		
Schneider Electric	BRS 364, BRS 366, IFS 61, IFS 62, ILS1x571, ILS1x572	57AA	
Schneider Electric	BRS 368; IFS 63; ILS1x573	57AB	
		57AC	

Product range overview

Third-party motors and gear units			
Manufacturer	Type	Motor interface	
B+R Automation	8JSA2	58AA	
Beckhoff	AM302x		
Bosch Rexroth	MSK030		
Kollmorgen	AKM2xx-Ax		
SEW Eurodrive	CMP40		
Fastech	EzM2-60	60AA	
Oriental Motor	AR6x, AZ6x	60AB	
Apex Dynamics INC.	PG060	60H	
B+R Automation	8GP30-060, 8GP40-060		
Bosch Rexroth	GTE060		
Neugart	PLE 060, WPLE 60		
Wittenstein Alpha	CP 015, CPK 015		
Bosch Rexroth	MSM 031	60P	
Omron	R88M-x40030		
Panasonic	MSMF042		
B+R Automation	8LVA2	60PA	
Inovance	ISMH1-20B30, ISMH1-40B30		
Mitsubishi	HF-KP23, HF-KP43, HK-KT23W, HK-KT43W, HF-KE23, HF-KE43, HF-MP23, HF-MP43, HG-KR43		
YASKAWA	SGM7J-02A, SGM7J-04A		
Moons	SM601AE4, SM602AE4		
Omron	SGMAH-02, SGMAM-02A, SGMAM-04A, SGMAM-06A, SGMJV-02A, SGMJV-04A		
Sanyo Denki	R2AA06040, R2AA06040FX, R2xA06020		
Siemens	1FK2xx3-...-0...		
Siemens	1FL603x-2AF21		
Tamagawa	TS4607, TS4609, TS4610		
YASKAWA	SGM7J-02A.A2., SGM7J-04A.A2., SGM7J-06A.A2.		
Allen-Bradley/Rockwell Automation	TL-A2x, TLY-A2x		60R
Bosch Rexroth	MSM030, MSM031		60RA
Omron	R88M-x20030		
Panasonic	MSMF022		
Beckhoff	AM312x	60RB	
Siemens	1FK2xx3-...-2...	68GA	
Bosch Rexroth	GTM060		
Lenze	GPA00, MPR050-1S GCN		
Neugart	PLN 70, WPLN 70		
SEW Eurodrive	PSx 221, PSx 222		
Siemens	SP 060S		
Wittenstein Alpha	SK+ 060, SP+ 060, SPC+ 060		
Allen-Bradley/Rockwell Automation	MPL-x2, VPL-x075x	70A	
AMK	DT4		
Baumüller	DSD2-036		
Lenze	MCS 06, MDSKxx036		
Schneider Electric	BMH 0701, BMH 0702, BSH 0701, BSH 0702		
SEW Eurodrive	CMP50	70AA	
B+R Automation	8JSA3		
Beckhoff	AM303x, AM803x, AM813x, AM853x		
Kollmorgen	AKM3xx-Ax		
Schneider Electric	BMH 0703, BSH 0703		
Siemens	1FT6031, 1FT6034, 1FT7034, 1FK7032, 1FK7033, 1FK7034	70AB	
Siemens	6SN2155...		
Apex Dynamics INC.	PE 070	70GA	
Neugart	PLPE 70, WPLPE 70		
SEW Eurodrive	PSCZ 221, PSCZ 222, PSKCZ 221, PSKCZ 222		
Wittenstein Alpha	NP 015, NPK 015, LP+ 070, LPK+ 070, LK+ 070		

Product range overview

Third-party motors and gear units		
Manufacturer	Type	Motor interface
B+R Automation	8GP60-070	72GA
Neugart	PLN 70 (OP14), WPLN 70 (OP14)	
Bosch Rexroth	GTM075	75GA
Lenze	GPA01	
Neugart	PLN 90, WPLN 90	
SEW Eurodrive	PSC 321, PSC 322, PSF 321, PSF 322, PSKC 321, PSKC 322, PSKF 321, PSKF 322	
Siemens	SP 075S	
Wittenstein Alpha	SK+ 075, SP+ 075, SPK+ 075, SPC+ 075	
Apex Dynamics INC.	PG080	80G
B+R Automation	8GP40-080	
Bosch Rexroth	GTE080	
Neugart	PLE 080, WPLE 80	
Schneider Electric	GBX080	
Wittenstein Alpha	CP 025, CPK 025	
Bosch Rexroth	MSM040, MSM041	80P
Omron	R88M-x75030	
Panasonic	MSMF082	
B+R Automation	8LVA3	80PA
Inovance	ISMH1-75B30	
Mitsubishi	HG-KR73, HK-KT7M3W	
Moons	SM803AE4	
Siemens	1FK2104-4AK..., 1FK2104-5AK...	
YASKAWA	SGM7J-08A.A2.	
Sanyo Denki	R2AA08075	
Bosch Rexroth	MSK040, MK043	80PB
B+R Automation	8JSA4	82AA
Beckhoff	AM304xt, AM354x, AM804x, AM814x	
Kollmorgen	AKM4xx-Ax	
Siemens	1FK7040, 1FK7042, 1FK7043, 1FK7044, 1FT6041, 1FT6044, 1FT704x	
Oriental Motor	AR9x, AZ9x	
B+R Automation	8LSA3	
Baumüller	DSC1-045, DSD2-045	84AA
Beckhoff	AM247L	
Lenze	MCA 10 FF100, MCS 09, MDSKSxx056 FF100	
SEW Eurodrive	CMP63	
Apex Dynamics INC.	PE 090	
Neugart	PLPE 90, WPLPE 90	
Wittenstein Alpha	NP 025, NPK 025, LP+ 090, LPK+ 090, LK+ 090	85AA
Atek	V 090 (short side)	
Allen-Bradley/Rockwell Automation	TLY-A3x	88A
Sanyo Denki	R2AAB8100	
Allen-Bradley/Rockwell Automation	MPF-x3, VPL-x100x	90GA
SEW Eurodrive	WF10 Ø120, WF10DT56	
Allen-Bradley/Rockwell Automation	MPL-x4, VPL-x115x	
AMK	DT5, DTK5	
B+R Automation	8LSA4	
Beckhoff	AM257S, AM257M	
Bosch Rexroth	MSK050	90GB
SEW Eurodrive	CFM71	
Allen-Bradley/Rockwell Automation	MPL-x45, VPL-x130x	
Beckhoff	AM305x, AM355x	
Kollmorgen	AKM5xx-Ax	
Allen-Bradley/Rockwell Automation	MPF-x3, VPL-x100x	92RA
SEW Eurodrive	WF10 Ø120, WF10DT56	
Allen-Bradley/Rockwell Automation	MPL-x4, VPL-x115x	
AMK	DT5, DTK5	
B+R Automation	8LSA4	
Beckhoff	AM257S, AM257M	
Bosch Rexroth	MSK050	100A
SEW Eurodrive	CFM71	
Allen-Bradley/Rockwell Automation	MPL-x45, VPL-x130x	
Beckhoff	AM305x, AM355x	
Kollmorgen	AKM5xx-Ax	

Product range overview

Third-party motors and gear units		
Manufacturer	Type	Motor interface
Bosch Rexroth	GTM100	115GA
Lenze	GPA02	
Neugart	PLN 115, WPLN 115	
SEW Eurodrive	PSC 521, PSC 522, PSF 521, PSF 522, PSKC 521, PSKC 522, PSKF 521, PSKF 522	
Siemens	SP 100S	
Wittenstein Alpha	SK+ 100, SP+ 100, SPK+ 100, SPC+ 100	
Apex Dynamics INC.	PG120	120G
Bosch Rexroth	GTE120	
Neugart	PLE 120, WPLE 120	
Schneider Electric	GBX120	120GA
Wittenstein Alpha	CP 035, CPK 035	
Apex Dynamics INC.	PG080A	
Lenze	GKR03-2M VAK, GKR04-2S VAK	
Neugart	PLE 080-90, WPLE 80-90	
SEW Eurodrive	RF07 Ø120, SF37 Ø120, WF30 Ø120, WF37 Ø120	
Siemens	BF29-KQ-703	120GB
SEW Eurodrive	RF27 Ø120	
Siemens	ZF29-KQ-704, ZF29-KQ-706	120GC
Apex Dynamics INC.	PE 120	
Neugart	PLPE 120, WPLPE 120	
Wittenstein Alpha	NP 035, NPK 035, LP+ 120, LPK+ 120, LK+ 120	126AA
Baumüller	DSC1-056, DSD2-056	
SEW Eurodrive	CMPZ71	
Siemens	1FK7060, 1FK7062, 1FK7063, 1FT6061, 1FT6062, 1FT6064, 1FT7062, 1FT7064, 1FT7066, 1FT7068	
Apex Dynamics INC.	PG160	160G
Bosch Rexroth	GTE160	
Neugart	PLE 160	
SEW Eurodrive	CFM112	190A