

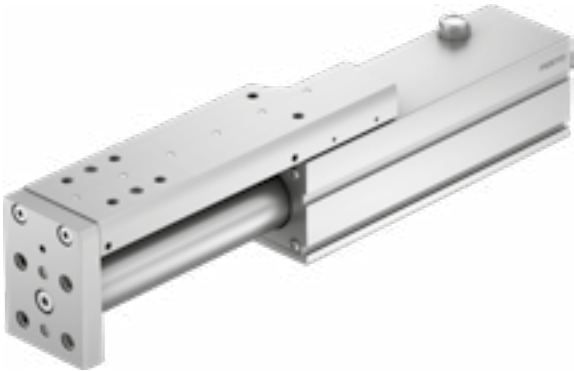
Mini slides EGSC-BS

FESTO



Key features

At a glance



- Four very compact sizes for precision positioning at speeds of up to 600 mm/s and a max. length of 200 mm
 - Recirculating ball bearing guide for yoke slide with high load bearing capacity
 - Integrated coupling for a compact design
 - Very high-quality ball screw drive with minimal internal friction
- Rigid, high load-bearing and precise linear guide for absorbing lateral forces and for increased protection against rotation
- Ring magnet for position sensing. For simple and low-cost position sensing

Compact

Optimum dimensions thanks to the integrated compact coupling and a very short slide

Flexible

Adapterless combination of ELGC and EGSC using the innovative “one size down” assembly system

Integrated

Simple position sensing with proximity sensor SMT-8M and integrated positioning magnet

Protected

The optional sealing air connection protects against immission and emission of particles.

Modular and flexible with motor, motor mounting kit and drive regulator

Motor

Servo motor



Stepper motor



Drive regulator

Servo drive

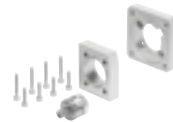


Motor controller for stepper motor

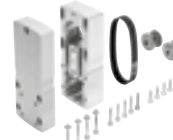


Motor mounting kit

Axial kit



Parallel kit



Simplicity in one unit

This product is also available as a product unit within the Simplified Motion Series:



- The Simplified Motion Series combines the simplicity of pneumatics with the benefits of electric automation. The perfect solution for all users who are looking for an electric alternative for very simple movement and positioning tasks, but don't want the commissioning process for traditional electric drive systems that can often be quite complex.
- Simplified functionality for simple movements between two end positions
- A variety of movements with different mechanical systems
- Integrated products eliminate the need for a control cabinet
- Quick and easy commissioning without software or special expertise
- Digital I/O and IO-Link integrated as standard

Key features

From the individual axis to the complete handling system



- The toothed belt and spindle axes ELGC and mini slide EGSC form a scalable modular system for compact automation
- The shared platform architecture creates a consistent range with matching interfaces. A large number of systems can be realised entirely without adapter plates
- Powerful drive and guide components ensure a long service life, as well as excellent load capacity and reliability
- The uniform and universal range of accessories reduces warehousing and design costs
- Two position sensing functions can be selected:
 - With magneto-resistive proximity sensors (detection via integrated magnets)
 - With inductive proximity sensors (detection through switch lug)

The products for the handling system

Spindle axis
ELGC-BS



Toothed belt axis
ELGC-TB



Guide axis
ELFC



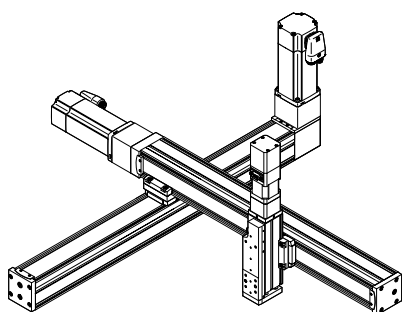
Mini slides
EGSC



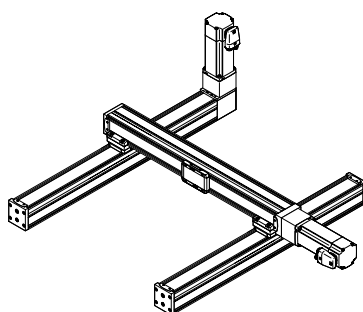
Typical handling systems

For applications where compact dimensions are essential, the axes ELGC can be combined into very space-saving handling systems that are suitable in assembly systems, testing and inspection systems, small parts handling units, desk top applications and in the electronics industry. The very compact linear axes ELGC, mini slide EGSC and electric cylinder EPCC offer an optimal ratio between installation space and working space. They feature a common system approach and platform architecture and the connections are largely adapterless.

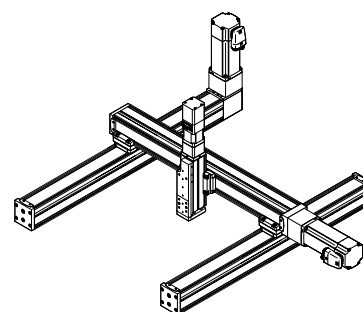
Cantilever system



Planar surface gantry



Three-dimensional gantry

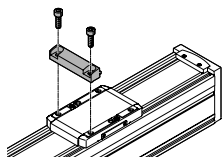


Key features

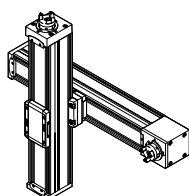
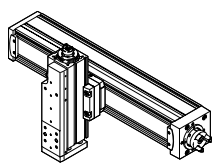
Matrix showing combinations between axis ELGC/ELGS-TB, ELGC/ELGS-BS, mini slide EGSC/EGSS-BS, electric cylinder EPCC/EPCS-BS and guide axis ELFC
 Assembly options with profile mounting and via angle kit

	Size	Assembly axis ELGC-BS/-TB; ELFC; EGSC-BS; EPCC-BS; ELGS-BS/-TB; EGSS-BS, EPCS-BS			
		25	32	45	60
Base axis	32	■	–	–	–
ELGC-BS/-TB; ELFC;	45	–	■	–	–
ELGS-BS/-TB	60	–	–	■	–
	80	–	–	–	■

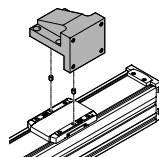
With profile mounting EAHF-L2-...-P-D...



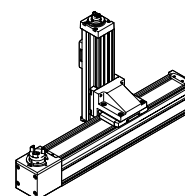
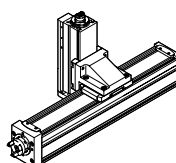
- Mounting option: base axis with one-size-down assembly axis



With angle kit EHAA-D-L2-...-AP



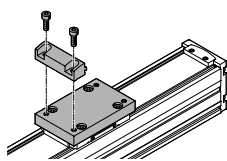
- Mounting option: base axis rotated through 90° with one-size-down assembly axis



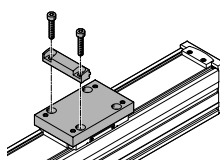
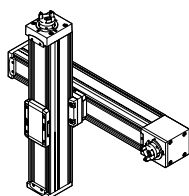
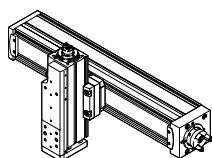
Matrix showing combinations between axis ELGC/ELGS-TB, ELGC/ELGS-BS, mini slide EGSC/EGSS-BS, electric cylinder EPCC/EPCS-BS and guide axis ELFC
 Assembly options with adapter kit

	Size	Assembly axis ELGC-BS/-TB; ELFC; EGSC-BS; EPCC-BS; ELGS-BS/-TB; EGSS-BS, EPCS-BS				
		25	32	45	60	80
Base axis	32	–	■	–	–	–
ELGC-BS/-TB; ELFC;	45	–	–	■	–	–
ELGS-BS/-TB	60	–	–	–	■	–
	80	–	–	–	–	■

With adapter kit EHAA-D-L2



- Mounting option: base axis with the same size assembly axis



- Mounting option: base axis with height adjustment to one-size-down assembly axis
- When motors are assembled using parallel kits, interfering contours may occur. In this case, the adapter plate is required for height compensation

Type codes

001	Series
EGSC	Mini slide

002	Drive system
BS	Ball screw drive

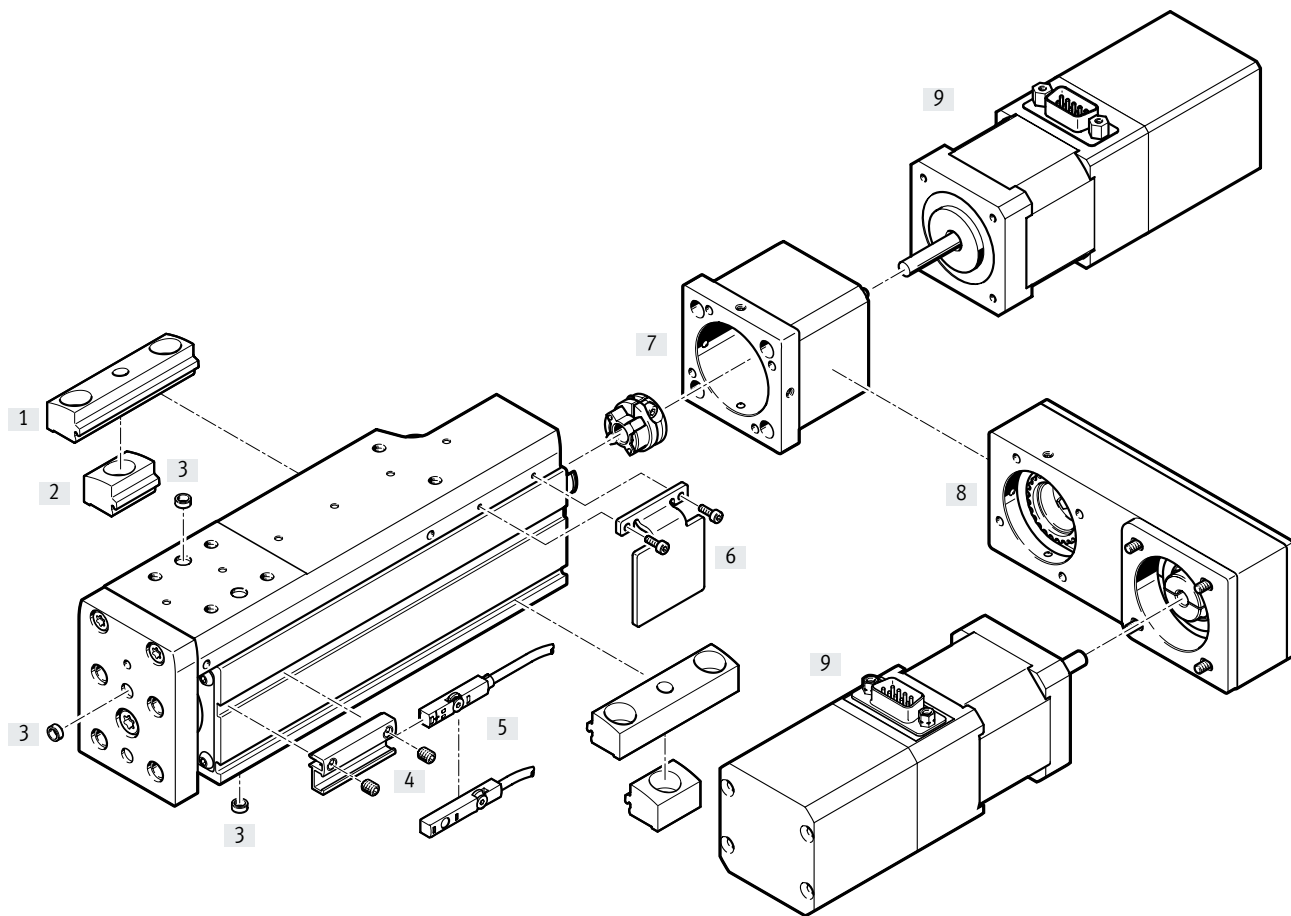
003	Guide
KF	Recirculating ball bearing guide

004	Size
25	25
32	32
45	45
60	60

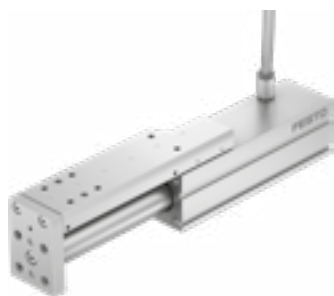
005	Stroke
25	25
50	50
75	75
100	100
125	125
150	150
200	200

006	Spindle pitch
6P	6 mm
8P	8 mm
10P	10 mm
12P	12 mm

Peripherals overview



Sealing air connection



Air is exchanged between the interior of the cylinder and the environment via a sealing air connection. This prevents negative pressure or excess pressure arising in the interior of the cylinder.

Additional functions of the connection:

- Application of slight negative pressure prevents emission of particles
- Application of slight overpressure prevents emission of particles

Suitable push-in fittings → Page 22

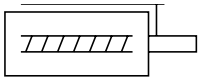
Peripherals overview



Accessories			
	Type/order code	Description	→ Page/Internet
[1]	Profile mounting EAHF-L2-...-P	For mounting the axis on the side of the profile. The profile mounting can be fixed in place on the mounting surface using the drill hole in the centre	20
[2]	Profile mounting EAHF-L2-...-PS	For mounting the axis on the side of the profile	19
[3]	Centring pin/sleeve ZBS, ZBH	For centring loads and attachments	22
[4]	Sensor bracket EAPM-L2	For mounting the proximity sensors on the axis. The proximity sensors can only be mounted using the sensor bracket	21
[5]	Proximity sensor SIES-8M	Inductive proximity sensor, for T-slot	22
	Proximity sensor SMT-8M	Magnetic proximity sensor, for T-slot	22
[6]	Switch lug EAPM-...SLS	For sensing the slide position in conjunction with inductive proximity sensors SIES-8M	21
[7]	Axial kit EAMM-A	For axial motor mounting	17
[8]	Parallel kit EAMM-U	For parallel motor mounting	18
[9]	Motors EMME-AS, EMMS-ST	Motors specially matched to the axis, with or without brake	17

**Note**

For sizes 45 and 60, inductive proximity sensors SIES-8M must be used for strokes greater than 100 mm.

Data sheet



-  - Size
25 ... 60
-  - Stroke length
25 ... 200 mm



General technical data					
Size		25	32	45	60
Design		Electric mini slide with ball screw drive			
Guide		Recirculating ball bearing guide			
Mounting position		Any			
Working stroke	[mm]	25, 50, 75	25, 50, 75, 100	25, 50, 75, 100, 125, 150	50, 75, 100, 125, 150, 200
Guide value for payload	[kg]	1	2	6	10
Max. feed force F_x	[N]	20	60	120	250
No-load driving torque at	[Nm]	0.015	0.025	0.030	0.040
Low travel speed	[m/s]	0.04	0.06	0.07	0.06
No-load driving torque at	[Nm]	0.029	0.042	0.1	0.306
Max. travel speed	[m/s]	0.4	0.5	0.6	0.6
Max. radial force ¹⁾	[N]	30	75	180	230
Max. rotational speed	[rpm]	4000	3750	3600	3000
Max. acceleration	[m/s ²]	15			
Repetition accuracy	[mm]	±0.015			
Reversing backlash	[mm]	≤ 0.15			
Position sensing		Magneto-resistive, inductive			

1) At the drive shaft

Operating and environmental conditions					
Size		25	32	45	60
Ambient temperature ¹⁾	[°C]	0 ... +50			
Degree of protection		IP40			
Duty cycle	[%]	100			
Maintenance interval		Life-time lubrication			

1) Note operating range of proximity sensors

Weights [g]					
Size		25	32	45	60
Basic weight with 0 mm stroke		176	331	608	1555
Additional weight per 10 mm stroke		19	30	63	95
Moving mass with 0 mm stroke		83	149	212	675
Additional mass per 10 mm stroke		9	12	30	40

Data sheet

Spindle					
Size		25	32	45	60
Diameter	[mm]	6	8	10	12
Pitch	[mm/rev.]	6	8	10	12

Mass moment of inertia					
Size		25	32	45	60
J_0	[kg cm ²]	0.0014	0.0062	0.0136	0.0839
J_S per metre stroke	[kg cm ² /m]	0.0150	0.0493	0.1361	0.2708
J_1 per kg payload	[kg cm ² /kg]	0.0091	0.0162	0.0253	0.0365

The mass moment of inertia J_{act} of the mini slide is calculated as follows: $J_{act} = J_0 + J_S/1000 \text{ mm} \times \text{working stroke}$

Homing

Homing can be carried out in two ways:

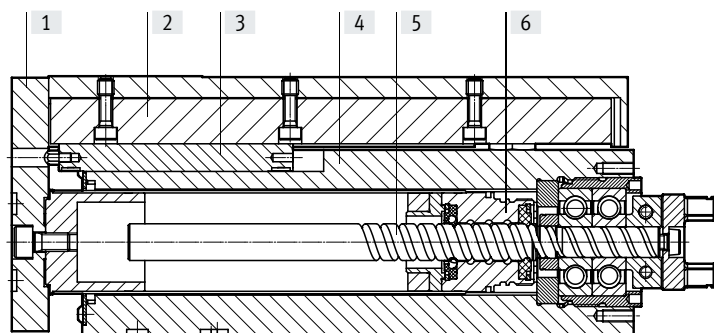
- Against a fixed stop
- Using a reference switch

The following values must be observed:

Size		25	32	45	60
Max. impact energy	[J]	0.005x10 ⁻³	0.009x10 ⁻³	0.014x10 ⁻³	0.044x10 ⁻³
At max. homing speed	[m/s]	0.01			

Materials

Sectional view

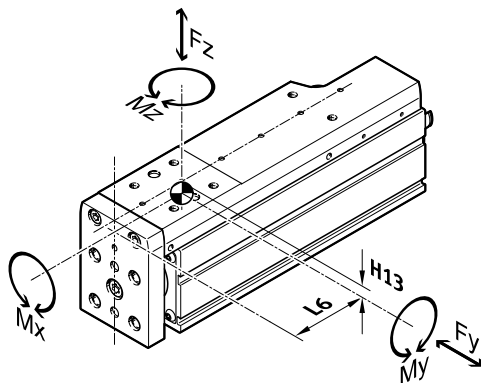


Axis		
[1]	Yoke plate	Anodised wrought aluminium alloy
[2]	Slide	Anodised wrought aluminium alloy
[3]	Guide rail	Steel
[4]	Housing	Anodised wrought aluminium alloy
[5]	Spindle	Steel
[6]	Spindle nut	Steel
	Note on materials	RoHS-compliant
	PWIS conformity	VDMA24364 zone III

Data sheet

Dynamic characteristic load values

The indicated forces and torques refer to the centre of the guide.
 These values must not be exceeded during dynamic operation.



Distance from the centre of the guide

Size	25	32	45	60
Dimension H13 [mm]	7.3	7.9	10.2	15.9
Dimension L6 ¹⁾ [mm]	25.1	31.8	37.3	53.4

1) The dimension relates to the retracted position of the slide. In the advanced position, the dimension must be extended accordingly.

Max. permissible forces and torques for the bearing calculation, for a service life of 5 x 10⁶ cycles and max. stroke

Size	25	32	45	60
F _y max. [N]	669	991	1314	4937
F _z max. [N]	669	991	1314	4937
M _x max. [Nm]	2.0	3.4	8.1	20
M _y max. [Nm]	2.1	3.2	7	30
M _z max. [Nm]	2.1	3.2	7	30

Note

For a guide system to have a service life of 5 x 10⁶ cycles, the load comparison factor must have a value of $f_v \leq 1$, based on the maximum permissible forces and torques for a service life of 5 x 10⁶ cycles.

This formula can be used to calculate a guide value.

The engineering software "PositioningDrives" is available for more precise calculations → www.festo.com

If the axis is subjected to two or more of the indicated forces and torques simultaneously, the following equation must be satisfied in addition to the indicated maximum loads:

Calculating the load comparison factor:

$$f_v = \frac{|F_{y1}|}{F_{y2}} + \frac{|F_{z1}|}{F_{z2}} + \frac{|M_{x1}|}{M_{x2}} + \frac{|M_{y1}|}{M_{y2}} + \frac{|M_{z1}|}{M_{z2}} \leq 1$$

F₁/M₁ = dynamic value

F₂/M₂ = maximum value

Data sheet

Calculating the service life

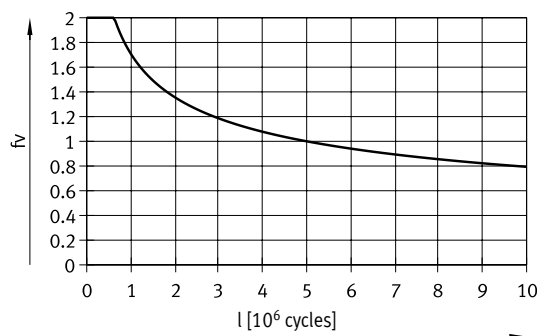
The service life of the guide depends on the load. To be able to make a statement as to the service life of the guide, the graph below plots the load comparison factor f_v against the service life.

These values are only theoretical. You must consult your local Festo contact for a load comparison factor f_v greater than 1.

Load comparison factor f_v as a function of service life l

Example:

A user wants to move an x kg load. Using the formula (→ page 10) gives a value of 1.5 for the load comparison factor f_v . According to the graph, the guide has a service life of approx. 1.5×10^6 cycles. Reducing the acceleration reduces the M_y and M_z values. A load comparison factor f_v of 1 now gives a service life of 5×10^6 cycles.



Comparison of the characteristic load values for 5×10^6 cycles with dynamic forces and torques of recirculating ball bearing guides

The characteristic load values of bearing guides are standardised to ISO and JIS using dynamic and static forces and torques. These forces and torques are based on an expected service life of the guide system of 100 km according to ISO or 50 km according to JIS.

As the characteristic load values are dependent on the service life, the maximum permissible forces and torques for a 5000 km service life cannot be compared with the dynamic forces and torques of bearing guides to ISO/JIS.

To make it easier to compare the guide capacity of mini slides EGSC with bearing guides, the table below lists the theoretically permissible forces and torques for a calculated service life of 100 km. This corresponds to the dynamic forces and torques to ISO.

These 100 km values have been calculated mathematically and are only to be used for comparing with dynamic forces and torques to ISO. The drives must not be loaded with these characteristic values as this could damage the axes.

Max. permissible forces and torques for a theoretical service life of 100 km (from a guide perspective only)

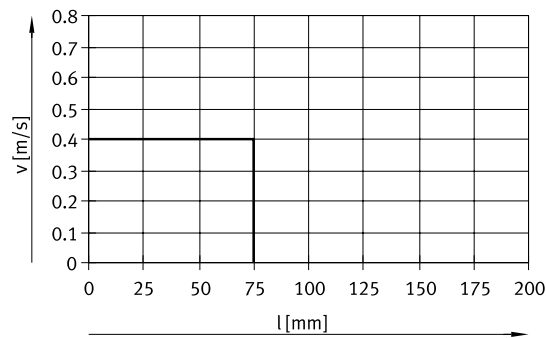
Application: mass m on the slide

Size		25	32	45	60
$F_{y_{max}}$	[N]	1310	2135	3240	13400
$F_{z_{max}}$	[N]	1310	2135	3240	13400
$M_{x_{max}}$	[Nm]	5	10	20	107
$M_{y_{max}}$	[Nm]	4	7	17	117
$M_{z_{max}}$	[Nm]	4	7	17	117

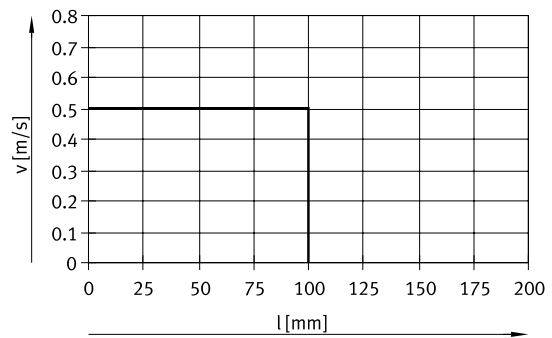
Data sheet

Speed v as a function of stroke l

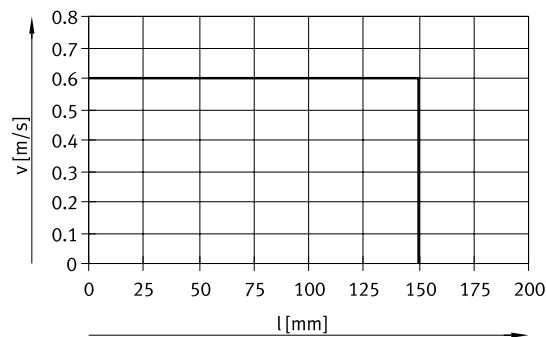
Size 25



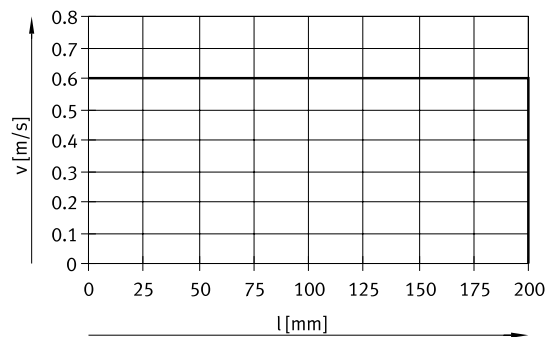
Size 32



Size 45

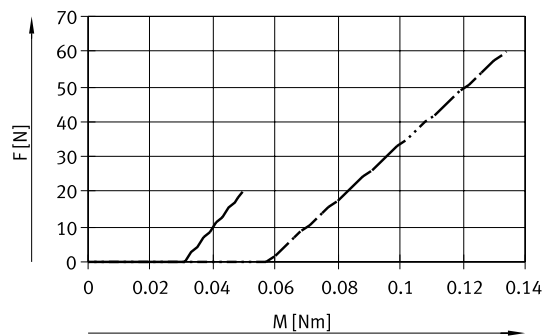


Size 60

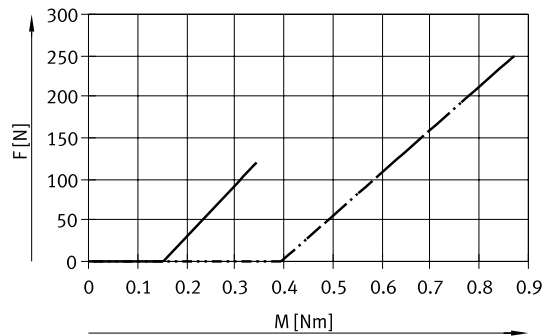


Feed force F as a function of input torque M

Size 2 5/32



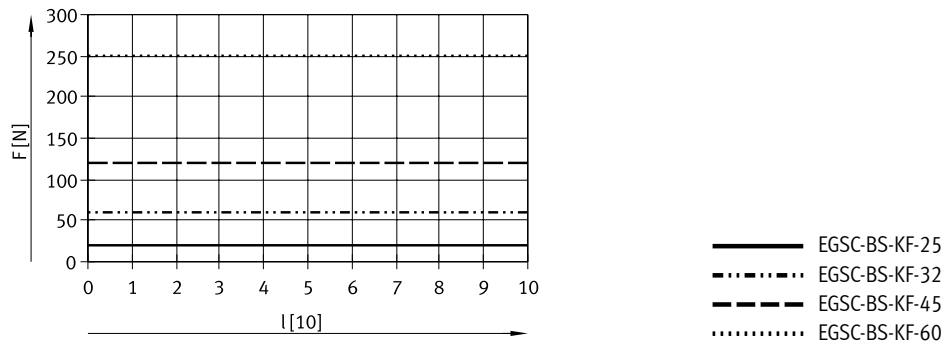
Size 4 5/60



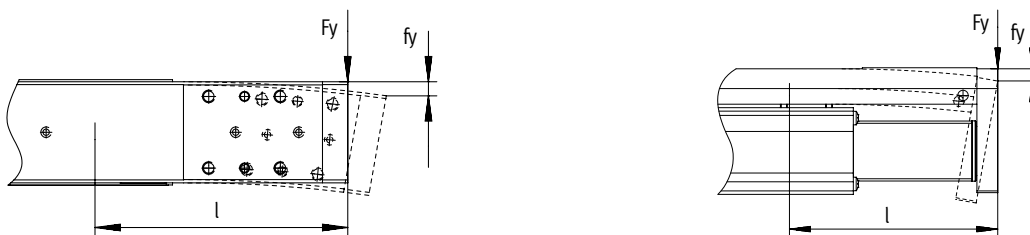
- EGSC-BS-KF-25
- · - · - · EGSC-BS-KF-32
- - - EGSC-BS-KF-45
- · · · · EGSC-BS-KF-60

Data sheet

Feed force F as a function of service life l



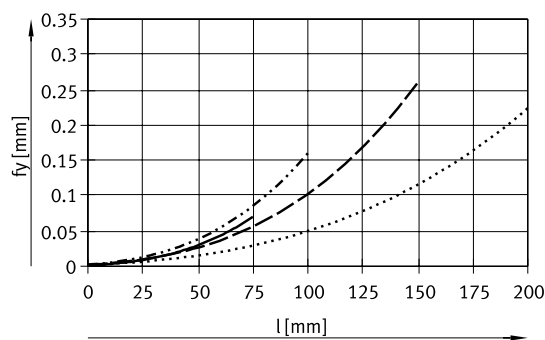
Deflection f of the guide rail as a function of stroke l



Fy/Fz at which the characteristic curves were determined

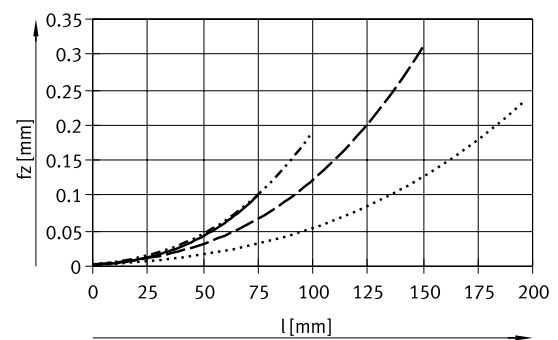
EGSC-BS-KF-25: 10 N EGSC-BS-KF-45: 40 N
 EGSC-BS-KF-32: 20 N EGSC-BS-KF-60: 60 N

Deflection fy



— EGSC-BS-KF-25
 EGSC-BS-KF-32
 - - - EGSC-BS-KF-45
 - · - · - EGSC-BS-KF-60

Deflection fz

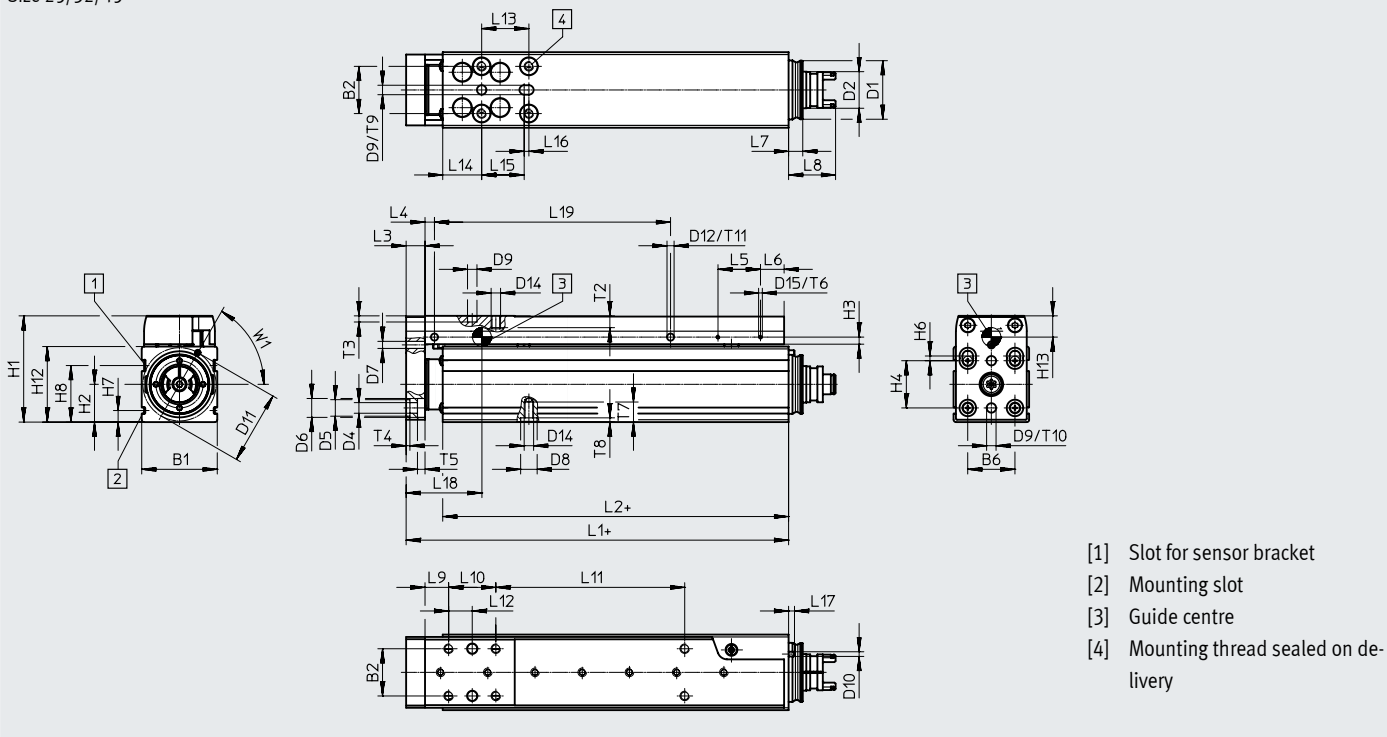


Data sheet

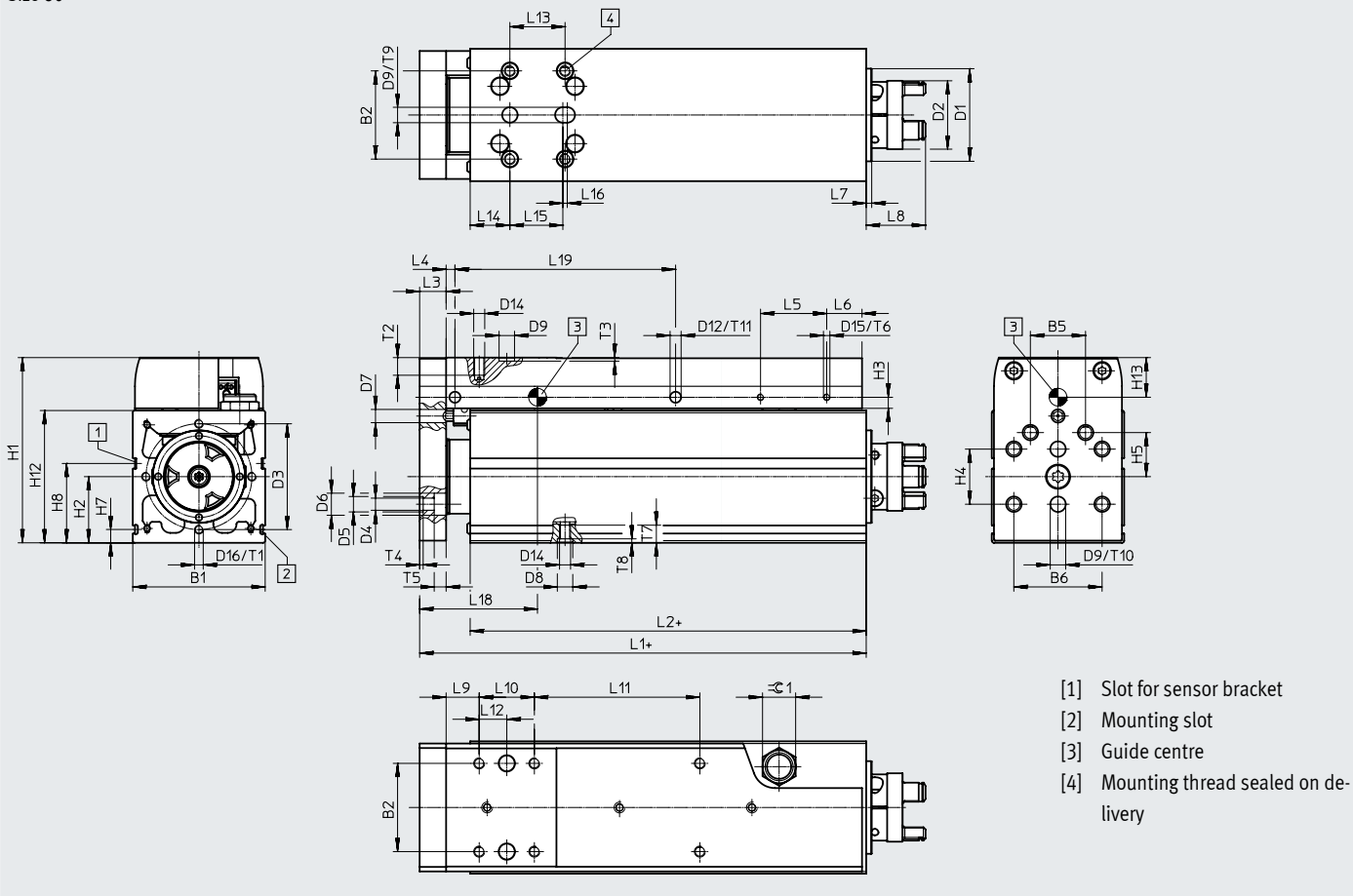
Dimensions

Download CAD data → www.festo.com

Size 25/32/45



Size 60



Data sheet

Size	B1 ±0.15	B2	B5	B6	D1 ∅	D2 ¹⁾ ∅	D3 ∅	D4 ∅ H13	D5 ∅ H7	D6 ∅ H13	D7 ∅	D8 ∅ H7	D9 ∅ H8	D10 ∅	D11 ∅
25	25	17	–	17	20.5	10.8	–	3.4	5	6	2.5	5	2	2	25
32	32	20	–	20	25	15.5	–	4.5	7	8	3	7	4	2	31
45	45	25	–	25	32	16.3	–	5.5	7	10	3	7	5	3	41
60	60	40	25	40	42	31.4	48	5.5	7	10	6	7	7	–	–

Size	D12 ∅	D13	D14	D15	D16	H1	H2	H3	H4	H5	H6	H7	H8	H12 ±0.15	H13
25	3	–	M3	M1.6	–	36.5	12.5	2.5	17	–	–	4.9	20.5	25	7.6
32	3	–	M4	M1.6	–	45	16	3	20	–	2	4.9	24	32	8.4
45	3	–	M5	M2	–	60.5	22.5	3	25	–	–	6.1	28.5	45	10.7
60	5	M4	M5	M3	M4	84	30	5	25	20	–	6.1	36	60	16.4

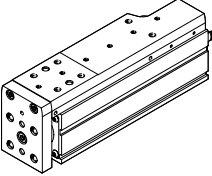
Size	L1	L2	L3 +0.2	L4	L5 ±0.1	L6	L7	L8	L9	L10	L12	L13	L14	L15	L16
25	53.6	42	6	4	18	6	5	15	10	17	8.5	17	13.5	16.5	1
32	62	46.5	8	4	18	10	6	19.9	10	20	10	20	16.5	18	2
45	73.8	54.5	10	4	24	12	6	19.9	15	25	12.5	25	17.5	24	2
60	102.4	79.5	12	4	30	16	2.5	26.9	15	25	12.5	25	30	24	2

Size	L17	L18	T1	T2	T3 +0.1	T4 +0.1	T5	T6	T7	T8 +0.1	T9 +0.1	T10 +0.1	T11 –0.2	W1	∠ 1
25	2.5	25.1	–	4.5	2.6	1.3	3.2	2	6	1.3	2.1	3.1	2	60°	6
32	2.5	31.8	–	5	2.6	1.6	3.2	1.5	8.5	1.8	2.6	2.6	1.5	60°	6
45	2	37.3	–	6	1.3	1.6	5.4	4	7	1.8	1.3	1.3	5	60°	12
60	–	53.4	10	8	1.6	1.6	5.4	6	8	1.8	1.6	1.6	5	–	15

Size	Stroke [mm]	L19	L11
25	25	25	0
	50	50	33
	75	75	58
32	25	25	0
	50	50	30
	75	75	55
45	100	100	80
	25	25	0
	50	50	25
	75	75	50
	100	100	75
60	125	125	100
	150	150	125
	50	50	25
	75	75	50
	100	100	75
	125	125	100
	150	150	125
	200	200	175

1) Coupling diameter or interference diameter of locking screw

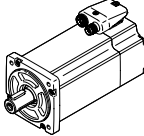
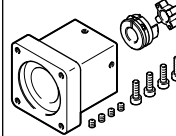
Data sheet

Ordering data	Size	Spindle pitch	Stroke	Part no.	Type
	25	6	25	8048310	EGSC-BS-KF-25-25-6P
			50	8048311	EGSC-BS-KF-25-50-6P
			75	8061280	EGSC-BS-KF-25-75-6P
	32	8	25	8048306	EGSC-BS-KF-32-25-8P
			50	8048307	EGSC-BS-KF-32-50-8P
			75	8048308	EGSC-BS-KF-32-75-8P
			100	4356032	EGSC-BS-KF-32-100-8P
	45	10	25	8048300	EGSC-BS-KF-45-25-10P
			50	8048301	EGSC-BS-KF-45-50-10P
			75	8048302	EGSC-BS-KF-45-75-10P
			100	4022926	EGSC-BS-KF-45-100-10P
			125	8048303	EGSC-BS-KF-45-125-10P
			150	8048304	EGSC-BS-KF-45-150-10P
	60	12	50	8048362	EGSC-BS-KF-60-50-12P
			75	8048363	EGSC-BS-KF-60-75-12P
			100	4356469	EGSC-BS-KF-60-100-12P
			125	8048364	EGSC-BS-KF-60-125-12P
			150	8048365	EGSC-BS-KF-60-150-12P
			200	8048366	EGSC-BS-KF-60-200-12P

Accessories

Note

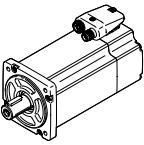
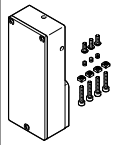
Depending on the combination of motor and drive, it may not be possible to reach the maximum feed force of the drive. When using parallel kits, the respective no-load driving torque of the kit must be taken into consideration

Permissible axis/motor combinations with axial kit – Without gear unit		Data sheets → Internet: eamm-a
Motor ¹⁾	Axial kit	
		<ul style="list-style-type: none"> Kits for third-party motors → Internet: eamm-a
Type	Part no.	Type
EGSC-25		
With stepper motor		
EMMS-ST-28-...	4505258	EAMM-A-V20-28A
EGSC-32		
With servo motor		
EMME-AS-40-...	4491059	EAMM-A-V25-40P
With stepper motor		
EMMS-ST-42-...	4582608	EAMM-A-V25-42A
EGSC-45		
With servo motor		
EMME-AS-40-...	4595742	EAMM-A-V32-40P
EMME-AS-60-...	4608750	EAMM-A-V32-60P
With stepper motor		
EMMS-ST-42-...	4281142	EAMM-A-V32-42A
EMMS-ST-57-...	4597016	EAMM-A-V32-57A
EGSC-60		
With servo motor		
EMME-AS-60-...	4133487	EAMM-A-T42-60P
EMME-AS-80-...	4623788	EAMM-A-T42-80P
With stepper motor		
EMMS-ST-57-...	4327034	EAMM-A-T42-57A
EMMS-ST-87-...	4610008	EAMM-A-T42-87A

1) The input torque must not exceed the max. permissible transferable torque of the axial kit.

Accessories

Data sheets → Internet: eamm-u

Permissible axis/motor combinations with parallel kit	
Motor/gear unit ¹⁾	Parallel kit
	 <ul style="list-style-type: none"> Kits for third-party motors → Internet: eamm-u
Type	Part no. Type
EGSC-25	
With stepper motor	
EMMS-ST-28-...	4767125 EAMM-U-30-V20-28A-44
EGSC-32	
With servo motor	
EMME-AS-40-...	4782056 EAMM-U-45-V25-40P-63
With stepper motor	
EMMS-ST-42-...	4825645 EAMM-U-45-V25-42A-63
EGSC-45	
With servo motor	
EMME-AS-40-...	4718297 EAMM-U-45-V32-40P-63
With stepper motor	
EMMS-ST-42-...	4280674 EAMM-U-45-V32-42A-63
EGSC-60	
With servo motor	
EMMT-AS-60-..., EMME-AS-60-...	4784301 EAMM-U-65-T42-60P-87
With stepper motor	
EMMS-ST-57-...	4331535 EAMM-U-65-T42-57A-87

1) The input torque must not exceed the max. permissible transferable torque of the parallel kit.

Accessories

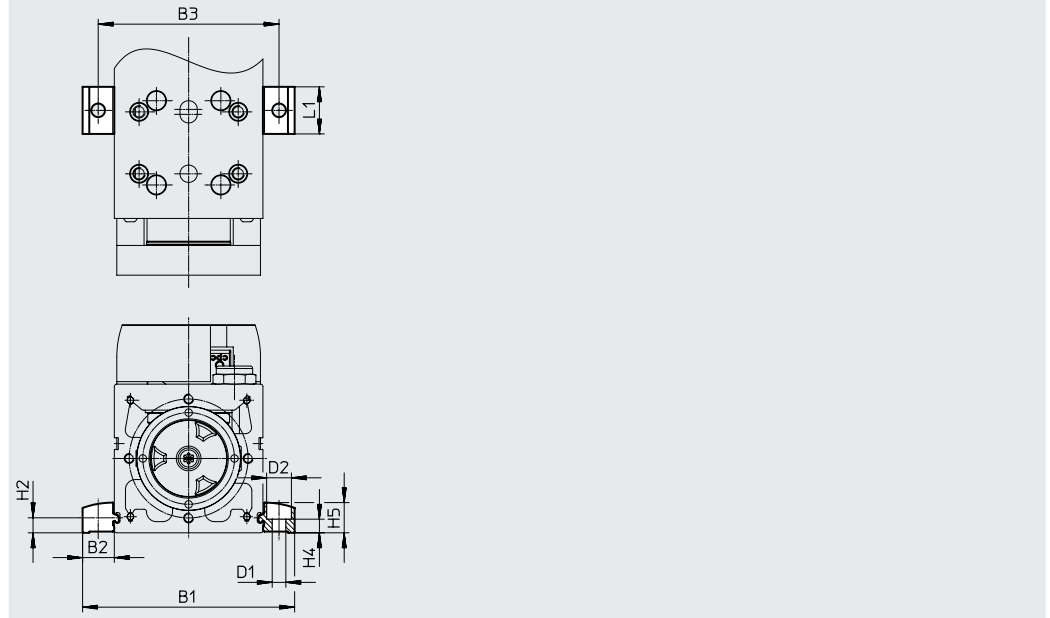
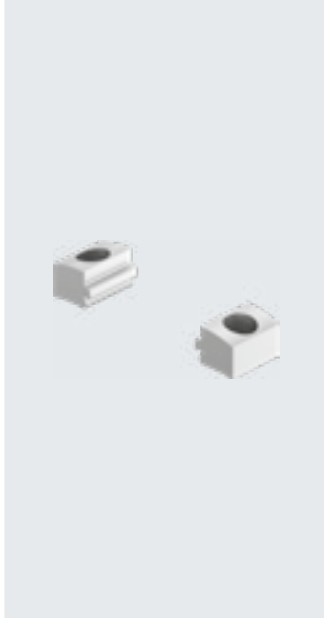
Profile mounting EAHF-L2-...-P-S

Material:

Anodised wrought aluminium alloy

RoHS-compliant

- For mounting the slide on the side of the profile



Dimensions and ordering data

For size	B1	B2	B3	D1 ∅ H13	D2 ∅ H13	H2
25	44.4	9.7	35	4.5	8	4.9
32	51.4	9.7	42	4.5	8	4.9
45	70.6	12.8	58	5.5	10	6.1
60	85.6	12.8	73	5.5	10	6.1

For size	H4 ±0.1	H5	L1	Weight [g]	Part no.	Type
25	4.2	9	19	4	5183153	EAHF-L2-25-P-S
32	4.2	9	19	4	5183153	EAHF-L2-25-P-S
45	5.5	12.2	19	6	5184133	EAHF-L2-45-P-S
60	5.5	12.2	19	6	5184133	EAHF-L2-45-P-S

Accessories

Profile mounting EAHF-L2-...-P

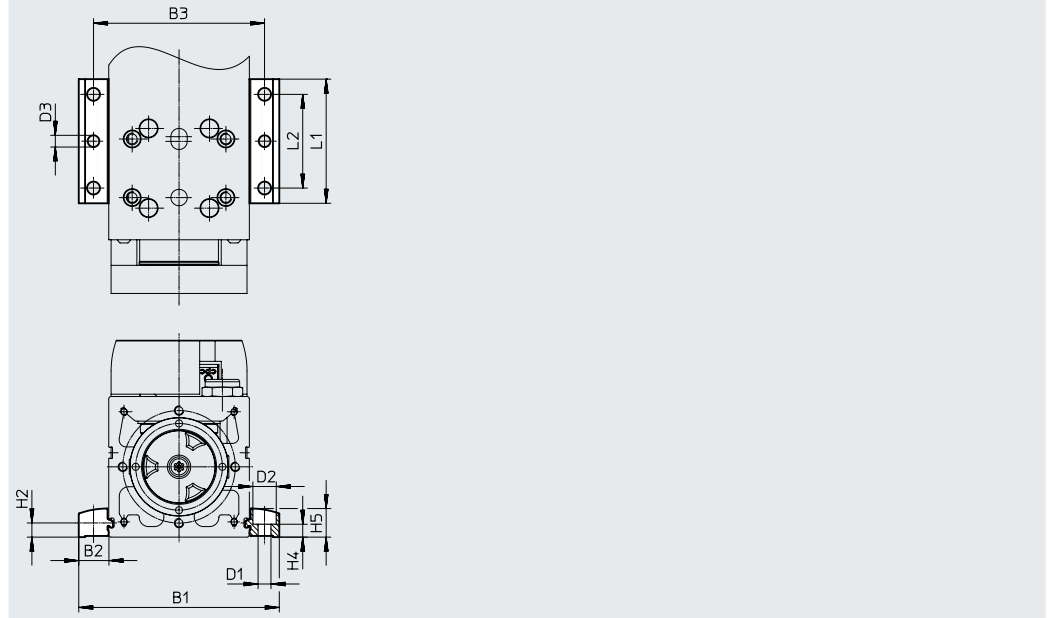
Material:

Anodised wrought aluminium alloy

RoHS-compliant

- For mounting the slide on the side of the profile.

The profile mounting can be fixed in place on the mounting surface using the drill hole in the centre



Dimensions and ordering data

For size	B1	B2	B3	D1 ∅ H13	D2 ∅ H13	D3 ∅	H2
25	44.4	9.7	35	4.5	8	4	4.9
32	51.4	9.7	42	4.5	8	4	4.9
45	70.6	12.8	58	5.5	10	5	6.1
60	85.6	12.8	73	5.5	10	5	6.1

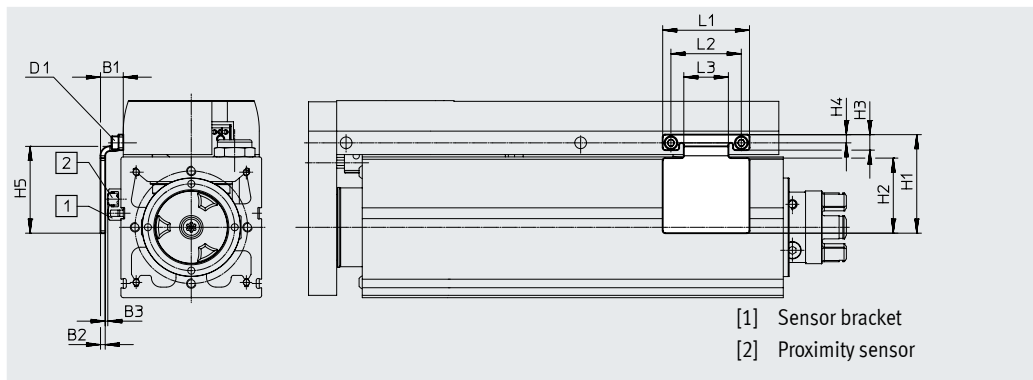
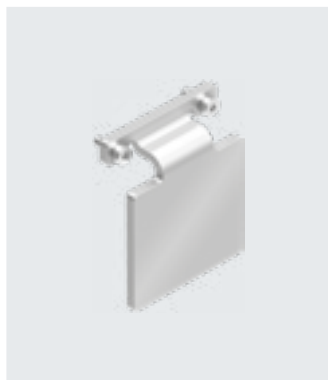
For size	H4 ±0.1	H5	L1	L2	Weight [g]	Part no.	Type
25	4.2	9	53	40	19	4835684	EAHF-L2-25-P
32	4.2	9	53	40	19	4835684	EAHF-L2-25-P
45	5.5	12.2	53	40	35	4835728	EAHF-L2-45-P
60	5.5	12.2	53	40	35	4835728	EAHF-L2-45-P

Accessories

Switch lug EAPM-...-SLS

For sensing using inductive proximity sensors SIES-8M

Material:
Galvanised steel
RoHS-compliant

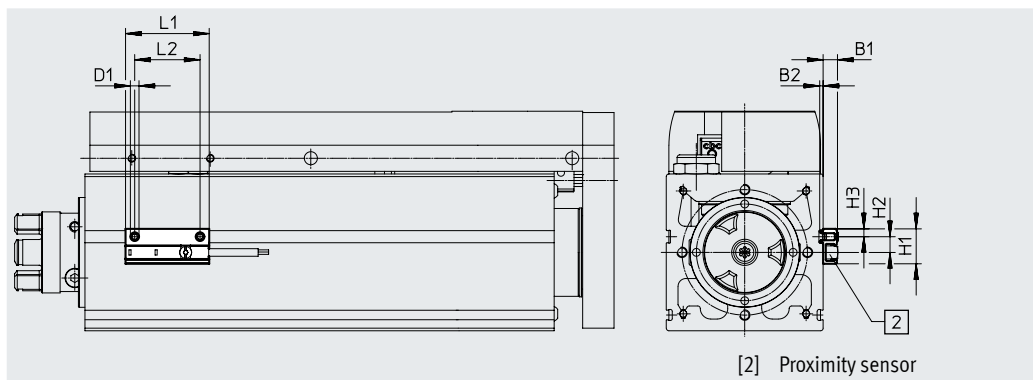


Dimensions and ordering data								
For size	B1	B2	B3	D1	H1	H2	H3	H4
25	9.2	2	1.0±0.32	M1.6	21	13	4.3	2.5
32	9.2	2	1.0±0.26	M1.6	27	19	4.3	2.5
45	9.4	2	0.7±0.26	M2	37	28	5.5	3.3
60	9.7	2	0.7±0.31	M3	42	32	6.6	3.5

For size	H5	L1	L2	L3	Weight [g]	Part no.	Type
25	18	22	18	10	8	8067258	EAPM-E19-25-SLS
32	24	22	18	10	10	8067259	EAPM-L2-32-SLS
45	33	30	24	14	18	8067260	EAPM-L2-45-SLS
60	37	37	30	19	27	8067261	EAPM-L2-60-SLS

Sensor bracket EAPM-L2

Material:
Anodised wrought aluminium alloy
RoHS-compliant

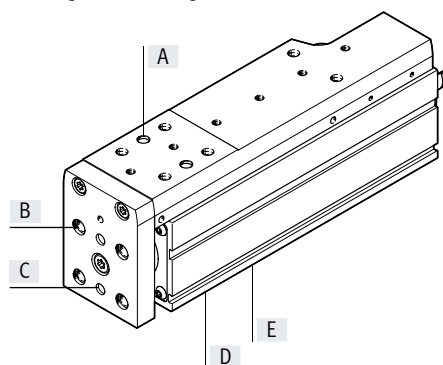


Dimensions and ordering data					
For size	B1	B2	D1	H1	H2
25, 32, 45, 60	5.5	1.3	M4	13.4	6

For size	H3	L1	L2	Weight [g]	Part no.	Type
25, 32, 45, 60	3	32	25	4	4759852	EAPM-L2-SH

Accessories

Ordering data – Centring sleeves



For size	Item	Part no.	Type	PE ¹⁾
25	A	525273	ZBS-2	10
	B	189652	ZBH-5	
	C	525273	ZBS-2	
	D	189652	ZBH-5	
	E	525273	ZBS-2	
32	A	562959	ZBS-4	
	B	186717	ZBH-7	
	C	562959	ZBS-4	
	D	186717	ZBH-7	
	E	562959	ZBS-4	
45	A	189652	ZBH-5	
	B	186717	ZBH-7	
	C	189652	ZBH-5	
	D	186717	ZBH-7	
	E	189652	ZBH-5	
60	A	186717	ZBH-7	
	B	186717	ZBH-7	
	C	186717	ZBH-7	
	D	186717	ZBH-7	
	E	186717	ZBH-7	

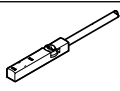
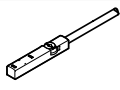
1) Packaging unit

Ordering data – Push-in fitting for sealing air connection

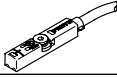
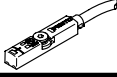
For size	Part no.	Type
25	133003	QSM-M5-3-I-R
	133004	QSM-M5-4-I-R
32	133003	QSM-M5-3-I-R
	133004	QSM-M5-4-I-R
45	186266	QSM-G1/8-4-I
	186267	QSM-G1/8-6-I
60	186108	QS-G1/4-6-I
	186110	QS-G1/4-8-I



Ordering data – Proximity sensors for T-slot, inductive


Data sheets → Internet: sies

Type of mounting	Switching output	Electrical connection	Cable length [m]	Part no.	Type
N/O contact					
 Insertable in the slot from above, flush with the cylinder profile	PNP	Cable, 3-wire	7.5	551386	SIES-8M-PS-24V-K-7,5-OE
		Plug M8x1, 3-pin	0.3	551387	SIES-8M-PS-24V-K-0,3-M8D
	NPN	Cable, 3-wire	7.5	551396	SIES-8M-NS-24V-K-7,5-OE
		Plug M8x1, 3-pin	0.3	551397	SIES-8M-NS-24V-K-0,3-M8D
N/C contact					
 Insertable in the slot from above, flush with the cylinder profile	PNP	Cable, 3-wire	7.5	551391	SIES-8M-PO-24V-K-7,5-OE
		Plug M8x1, 3-pin	0.3	551392	SIES-8M-PO-24V-K-0,3-M8D
	NPN	Cable, 3-wire	7.5	551401	SIES-8M-NO-24V-K-7,5-OE
		Plug M8x1, 3-pin	0.3	551402	SIES-8M-NO-24V-K-0,3-M8D

Accessories

Ordering data – Proximity sensors for T-slot, magnetoresistive						Data sheets → Internet: smt
	Type of mounting	Switching output	Electrical connection	Cable length [m]	Part no.	Type
N/O contact						
	Inserted in the slot from above, flush with the cylinder profile, short design	PNP	Cable, 3-wire	2.5	574335	SMT-8M-A-PS-24V-E-2,5-OE
			Plug M8x1, 3-pin	0.3	574334	SMT-8M-A-PS-24V-E-0,3-M8D
N/C contact						
	Inserted in the slot from above, flush with the cylinder profile, short design	PNP	Cable, 3-wire	7.5	574340	SMT-8M-A-PO-24V-E-7,5-OE

Ordering data – Connecting cables						Data sheets → Internet: nebu
	Electrical connection, left	Electrical connection, right	Cable length [m]	Part no.	Type	
	Straight socket, M8x1, 3-pin	Cable, open end, 3-wire	2.5	541333	NEBU-M8G3-K-2.5-LE3	
			5	541334	NEBU-M8G3-K-5-LE3	
	Angled socket, M8x1, 3-pin	Cable, open end, 3-wire	2.5	541338	NEBU-M8W3-K-2.5-LE3	
			5	541341	NEBU-M8W3-K-5-LE3	

 **Note**

For sizes 45 and 60, inductive proximity sensors SIES-8M must be used for strokes greater than 100 mm.