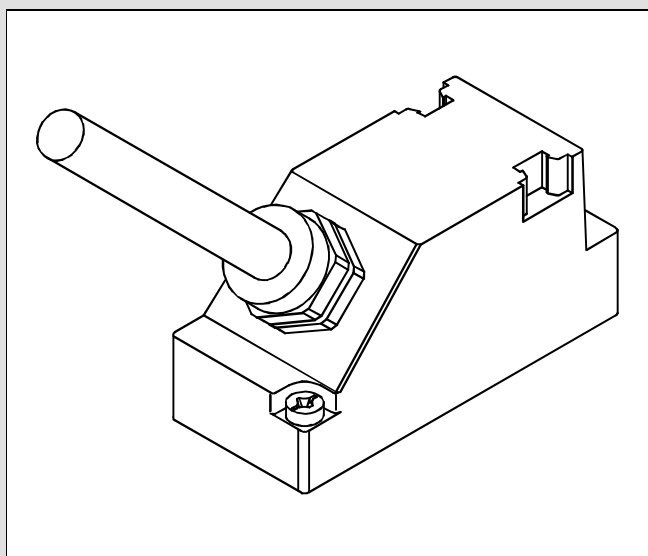


Brief description

English

Multipin cable for valve terminal



9508 A

FESTO



Part no. 357659

1. General instructions

- Read these instructions through completely. Then start fitting the cable.

Before commissioning



- Switch off the power supply before connecting or disconnecting plugs (otherwise functioning may be impaired).
- Earth the valve terminal.
- Commission only a valve terminal which is completely fitted and wired.
- Ensure that there is a sufficient supply of fresh air (cooling) for the following operating conditions:
 - when the maximum number of valves are fitted
 - when the maximum operating voltage is applied
 - when the solenoid coils are continuously under stress

2. Instructions on converting and extending the valve terminal

Please note the following points when using valve terminal type 03.



- If valve terminal type 03 is converted:
- the multipin assignment may be changed

If valve terminal type 03 is extended:

- valves should be inserted preferably directly on the right-hand end plate.

3. Technical specifications

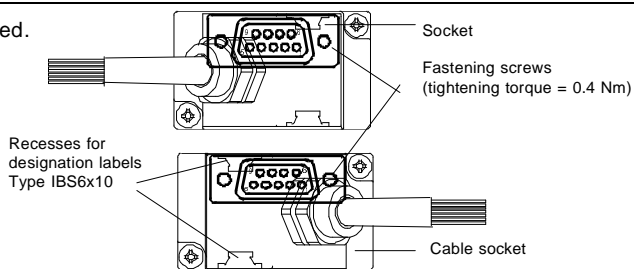
Type	KMP3-25P-22-X ready-made plug with cable	KMP3-25P-16-X ready-made plug with cable	KMP3-9P-08-X ready-made plug with cable	SD-SUB-D-BU25 Plug without cable	SD-SUB-D-BU9 Plug without cable
Part no.	163 971	18 699	18 697	18 709	18 708
Plug	25-pin	25-pin	9-pin	25-pin	9-pin
Cable cross section	24-core x 0.25 mm ²	18-core x 0.34 mm ²	10-core x 0.34 mm ²	---	---
Connection part	Crimp contact, 0.2...0.5 mm ² (AWG 20...24); socket contact				
Cable type	LIYY colour-coded as per DIN 47100			---	---
Temperature range	- operation: - 5°C to + 50°C - storage: -20°C to + 70°C				
Cable connector	PG 11	PG 11	PG 9	PG 11	PG 9
Cable diameter	9.5 mm	9 mm	7.5 mm	7-12 mm	6-9 mm
Cable isolation resistor	20 MΩ/km			---	---
Plug height	35 mm (without conduit thread)				
Protection class	IP 65 (completely fitted)				
Materials	Plug housing	PA 6			
	Plug contacts	Brass, hard gold-plated			
	Plug insulation	Thermoplastic, glass-fibre reinforced			
	Seal	NBR			
	Cable covering	PVC			

4. Changing the cable exit direction

Ensure that the cables are not twisted when the direction of exit is changed.

In order to change the direction of exit of the cable, proceed as follows.

1. Loosen the fastening screws of the socket.
2. Carefully remove the socket from the cable.
3. Turn the socket 180 degrees.
4. Fasten the socket on the opposite side to the original by screwing the fastening screws into the unused holes.



5. Conductor assignment for multipin cable

Cable type	KMP3-25P-22-X		KMP3-25P-16-X		KMP3-9P-08-X	
	Screw plug 25-pin: View of crimp side				Screw plug 9-pin: View of crimp side	
Data cable	24-core x 0.25 mm ²		18-core x 0.34 mm ²		10-core x 0.34 mm ²	
Voltage	Pin no.	Core colour	Pin no.	Core colour	Pin no.	Core colour
24 VDC	1	white	1	white	1	white
24 VDC	2	green	2	green	2	green
24 VDC	3	yellow	3	yellow	3	yellow
24 VDC	4	grey	4	grey	4	grey
24 VDC	5	pink	5	pink	5	pink
24 VDC	6	blue	6	blue	6	blue
24 VDC	7	red	7	red	7	red
24 VDC	8	violet	8	violet	8	violet
24 VDC	9	grey-pink	9	grey-pink	not used	
24 VDC	10	red-blue	10	red-blue		
24 VDC	11	white-green	11	white-green		
24 VDC	12	brown-green	12	brown-green		
24 VDC	13	white-yellow	13	white-yellow		
24 VDC	14	yellow-brown	14	yellow-brown		
24 VDC	15	white-grey	15	white-grey		
24 VDC	16	grey-brown	16	grey-brown		
24 VDC	17	white-pink	not used			
24 VDC	18	pink-brown				
24 VDC	19	white-blue				
24 VDC	20	brown-blue				
24 VDC	21	white-red				
24 VDC	22	brown-red				
	23	not used				
0 V	24	brown	24	brown	9	black
0 V	25	black	25	black	---	brown