

Push-in fittings CRQS, stainless steel



Push-in fittings CRQS, stainless steel

Technical data

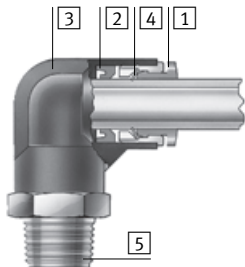
General technical data	
Size	Standard
Design	Push-pull principle
Mounting position	Any
Type of seal on threaded plug	Sealing ring (metric thread only)
Usable lines	PFAN

Operating and environmental conditions	
Operating pressure [bar]	-0.95 ... +10
complete temperature range	
Operating medium	Compressed air in accordance with ISO 8573-1:2010 [7:-:-] Water as per manufacturer's declaration ²⁾
Note on operating/pilot medium	Operation with lubricated medium possible
Ambient temperature [°C]	-15 ... +120
Corrosion resistance class CRC ¹⁾	4
Food-safe	See supplementary material information ²⁾
Maritime classification	See certificate ²⁾

- 1) Corrosion resistance class CRC 4 to Festo standard FN 940070
Particularly high corrosion stress. Outdoor exposure under extreme corrosive conditions. Parts exposed to aggressive media, for instance in the chemical or food industries. These applications may need to be supported by special tests (→ also FN 940082) using appropriate media.
- 2) Additional information www.festo.com/sp → Certificates.

Materials

Sectional view



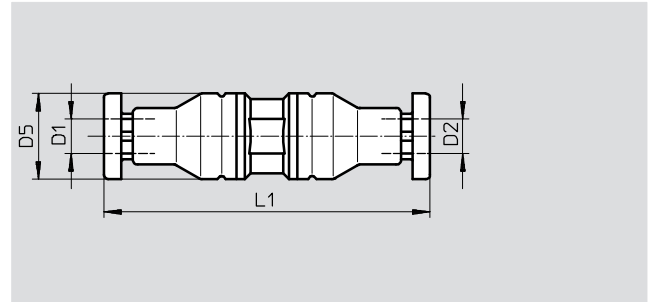
Push-in fitting CRQS		
1	Releasing ring	High-alloy stainless steel
2	Tubing seal	FPM
3	Housing	High-alloy stainless steel
4	Tube retaining claw	High-alloy stainless steel
5	Threaded coupling	High-alloy stainless steel
-	Nut (push-in bulkhead connector CRQS only)	High-alloy stainless steel
Note on materials		RoHS-compliant

Push-in fittings CRQS, stainless steel

Technical data

FESTO

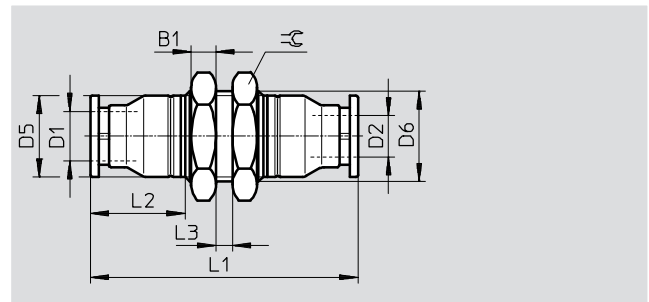
Push-in connector CRQS



Dimensions and ordering data									
Pneumatic connection		Nominal size [mm]	Dimensions [mm]			Weight/ piece [g]	Part No.	Type	PU ¹⁾
For tubing O.D. D1	For tubing O.D. D2		D5 Ø	L1					
4	4	2.4	9.8	37.7		9.1	130645	CRQS-4	1
6	6	3.7	11.8	40.3		14	130646	CRQS-6	1
8	8	5.8	13.8	44.9		18	130647	CRQS-8	1
10	10	6.6	16.8	52		29	130648	CRQS-10	1
12	12	7.9	19.8	55.8		44	130649	CRQS-12	1
16	16	10.5	23.7	66.5		63	130650	CRQS-16	1
Reducing									
6	4	2.4	12	38.8		11	130651	CRQS-6-4	1
8	6	3.7	14	42.4		15	130652	CRQS-8-6	1
10	8	5.8	17	48.5		22	130653	CRQS-10-8	1
12	10	6.6	20	53.9		35	130654	CRQS-12-10	1
16	12	7.9	24	61.1		50	130655	CRQS-16-12	1

1) Packaging unit

Push-in bulkhead connector CRQSS



Dimensions and ordering data													
Pneumatic connection		Nominal size [mm]	Dimensions [mm]							Weight/ piece [g]	Part No.	Type	PU ¹⁾
For tubing O.D. D1	For tubing O.D. D2		B1	D5 Ø	D6 Ø	L1	L2	L3 max.	⌀				
4	4	2.4	4	9.8	M12x1	43.7	15.4	4	14	19	164210	CRQSS-4	1
6	6	3.7	4	11.8	M14x1	46.3	15.6	6	17	27	164211	CRQSS-6	1
8	8	5.7	4	13.8	M16x1	50.9	17.9	6	19	35	164213	CRQSS-8	1
10	10	6.7	5	16.8	M20x1	57	20	6	24	60	164215	CRQSS-10	1
12	12	7.9	6	19.8	M22x1	62.8	21.9	6	27	87	164217	CRQSS-12	1
16	16	10.4	6	23.7	M27x1.5	72.6	26.7	6	32	118	164219	CRQSS-16	1

1) Packaging unit