

Push-in fittings CRQS, stainless steel



# Push-in fittings CRQS, stainless steel

Features

## Application



Effortless selection of the right fitting. Festo offers a secure solution for every connection. The convenient push-in fitting system includes well over 1000 types of standard and function fittings.

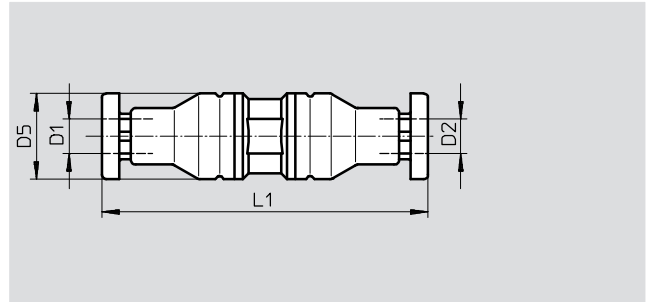
Summary of tubing/fitting combinations			
Applications	Fitting	Tubing	Description
Standard	QS	PEN	Suitable for a wide range of tasks and attractively priced. Flexible thanks to highly resistant materials, easy to install thanks to optimised bending radii. High level of abrasion resistance in dynamic applications.
	QS	PUN	Maximum flexibility in standard applications thanks to an extremely wide range of options for combining the different types.
	QS	PAN	Meets all requirements, even for standard applications with increased pressure and temperature ranges.
High pressures	NPQM	PAN-MF	Meets DIN standard 73378: ideal for use in mobile pneumatics. Suitable for increased temperature ranges combined with high pressure ranges.
	NPQH	PAN-R	Powerful in pressure ranges up to 20 bar, for example in applications with the pressure booster DPA.
Resistant to chemicals, food safe and hydrolysis resistant	NPQP	PLN	Resistant to cleaning agents, FDA compliant and economical. Can be used instead of the combination with stainless steel fittings.
	NPKA	PUN-H	Hydrolysis resistant and suitable for water applications. Combination suitable for use in clean rooms, FDA compliant and corrosion resistant thanks to 100% polymer construction. Very easy to install thanks to the "one click principle".
	NPQH	PFAN/PTFEN	For high temperatures up to 150 °C. Suitable for use in the food industry, FDA compliant and resistant to cleaning agents.
	NPCK	PFAN/PTFEN	Easy to clean thanks to the union nut's edge-free design. Maximum resistance to corrosion (CRC 4) and FDA compliant. Suitable for a wide range of media.
	CRQS	PFAN/PTFEN	Maximum resistance to corrosion (CRC 4) and to aggressive acids and lyes.
Anti-static	NPQM	PUN-CM	Anti-static tubing plus solid metal fitting: maximum protection for electrical and electronic components.
Flame retardant	NPQM	PUN-V0	Very safe in areas where there is a risk of fire thanks to flame-retardant properties. The tubing has been tested to DIN 5510-2.
Resistant to welding spatter	NPQH	PUN-V0-C	Ideal for applications involving welding spatter. Reliable thanks to a tubing wall thickness of 2 mm for all diameters.
	QS-V0	PAN-V0	Safe even in the mediate vicinity of welding spatter thanks to the double-walled tubing with special fitting.

# Push-in fittings CRQS, stainless steel

Technical data



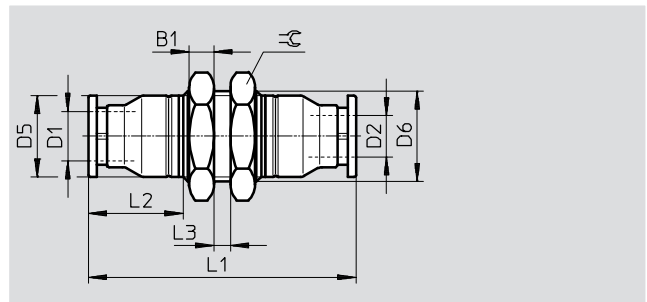
## Push-in connector CRQS



Dimensions and ordering data									
Pneumatic connection		Nominal size [mm]	Dimensions [mm]			Weight/ piece [g]	Part No.	Type	PU <sup>1)</sup>
For tubing O.D. D1	For tubing O.D. D2		D5 Ø	L1					
4	4	2.4	9.8	37.7		9.1	130645	CRQS-4	1
6	6	3.7	11.8	40.3		14	130646	CRQS-6	1
8	8	5.8	13.8	44.9		18	130647	CRQS-8	1
10	10	6.6	16.8	52		29	130648	CRQS-10	1
12	12	7.9	19.8	55.8		44	130649	CRQS-12	1
16	16	10.5	23.7	66.5		63	130650	CRQS-16	1
Reducing									
6	4	2.4	12	38.8		11	130651	CRQS-6-4	1
8	6	3.7	14	42.4		15	130652	CRQS-8-6	1
10	8	5.8	17	48.5		22	130653	CRQS-10-8	1
12	10	6.6	20	53.9		35	130654	CRQS-12-10	1
16	12	7.9	24	61.1		50	130655	CRQS-16-12	1

1) Packaging unit

## Push-in bulkhead connector CRQSS



Dimensions and ordering data													
Pneumatic connection		Nominal size [mm]	Dimensions [mm]							Weight/ piece [g]	Part No.	Type	PU <sup>1)</sup>
For tubing O.D. D1	For tubing O.D. D2		B1	D5 Ø	D6 Ø	L1	L2	L3 max.	⌀				
4	4	2.4	4	9.8	M12x1	43.7	15.4	4	14	19	164210	CRQSS-4	1
6	6	3.7	4	11.8	M14x1	46.3	15.6	6	17	27	164211	CRQSS-6	1
8	8	5.7	4	13.8	M16x1	50.9	17.9	6	19	35	164213	CRQSS-8	1
10	10	6.7	5	16.8	M20x1	57	20	6	24	60	164215	CRQSS-10	1
12	12	7.9	6	19.8	M22x1	62.8	21.9	6	27	87	164217	CRQSS-12	1
16	16	10.4	6	23.7	M27x1.5	72.6	26.7	6	32	118	164219	CRQSS-16	1

1) Packaging unit