

Threaded fittings NPFC

FESTO




Threaded fittings NPFC

Technical data

Operating and environmental conditions	
Operating pressure [bar]	-0.95 ... 50
Operating medium	Compressed air to ISO 8573-1:2010 [-:-:-]
	Gases on request
	Liquids on request
Ambient temperature [°C]	-20 ... +150
Corrosion resistance class CRC ¹⁾	1

1) Corrosion resistance class CRC 1 to Festo standard FN 940070
 Low corrosion stress. For dry indoor applications or transport and storage protection. Also applies to parts behind covers, in the non-visible interior area, and parts which are covered in the application (e.g. drive trunnions).



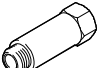



Materials	
Threaded fitting	Nickel-plated brass
Note on materials	RoHS-compliant

 - Note

<p>When using R threaded studs, we recommend sealing using thread sealing tape GWB-0,1 (part no. 9076).</p>	<p>When using M and G threaded studs, an additional axial sealing ring is required (preferably soft aluminium Al 99.5).</p>
---	---

Threaded fittings NPFC

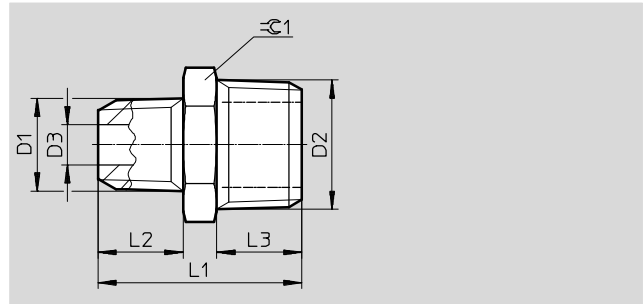
Product range overview

Design	Design	Type	Connection D1			Connection D2			→ Page/ Internet
			M thread	G thread	R thread	M thread	G thread	R thread	
Straight design	Sleeve								
		NPFC-S	M5	–	–	–	–	–	6
			–	G1/8					
				G1/4					
				G3/8					
				G1/2					
				G3/4					
	Reducing sleeve								
		NPFC-R	M5	–	–	–	G1/8	–	6
			–	G1/8			G1/4, G3/8, G1/2		
			G1/4			G3/8, G1/2			
			G3/8			G1/2			
			G1/2			G3/4, G1			
			G3/4			G1			
Extension									
	NPFC-E...	M5	–	–	M5	–	–	7	
		–	G1/8		–	G1/8			
			G1/4			G1/4			
			G3/8			G3/8			
			G1/2			G1/2			
Double nipple									
	NPFC-D	M3	–	–	M3	–	–	8	
		M5			M5	G1/8			
		M7			–	G1/8			
		–	G1/8			G1/8, G1/4, G3/8			
			G1/4			G1/4, G3/8, G1/2			
			G3/8			G3/8, G1/2			
			G1/2			G1/2, G3/4			
			G3/4			G3/4			
			–	R1/8		–	R1/8, R1/4, R3/8		
				R1/4			R1/4, R3/8, R1/2		
				R3/8			R3/8, R1/2		
				R1/2			R1/2, R3/4		
				R3/4			R3/4		
		R1			R1				
Reducing nipple – internal thread/external thread									
	NPFC-R	M5	–	–	–	G1/8	–	9	
		–	G1/8			G1/4, G3/8			
			G1/4			G3/8			
			G3/8			G1/2			
Reducing nipples – external thread/internal thread									
	NPFC-R	M5	–	–	M3	–	–	10	
		M7			M5				
		–	G1/8			M5	G1/8		
			G1/4			–	G1/8, G1/4		
			G3/8				G1/4, G3/8		
			G1/2				G1/4, G3/8, G1/2		
			G3/4				G1/2, G3/4		

Threaded fittings NPFC

Technical data

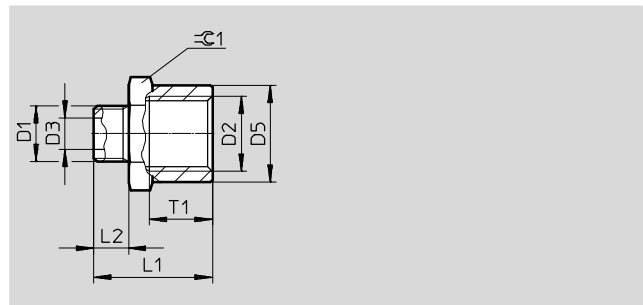
Double nipple NPFC-D R thread



Dimensions and ordering data										
Connection		D3	L1	L2	L3	$\approx C1$	Weight/piece [g]	Part no.	Type	PU ¹⁾
D1	D2	∅								
R ¹ / ₈	R ¹ / ₈	5.5	19.5	7.5	7.5	12	9.4	8030278	NPFC-D-2R18-M	10
	R ¹ / ₄	5.5	23.5	7.5	11	14	14.7	8030279	NPFC-D-R18-R14-M	10
	R ³ / ₈	5.5	24	7.5	11.5	17	20.16	8030280	NPFC-D-R18-R38-M	10
R ¹ / ₄	R ¹ / ₄	8	27	11	11	14	17.9	8030281	NPFC-D-2R14-M	10
	R ³ / ₈	8	27.5	11	11.5	17	23.4	8030282	NPFC-D-R14-R38-M	10
	R ¹ / ₂	8	30.5	11	14	22	35.43	8030283	NPFC-D-R14-R12-M	10
R ³ / ₈	R ³ / ₈	11	28	11.5	11.5	17	26.27	8030284	NPFC-D-2R38-M	10
	R ¹ / ₂	11	31	11.5	14	22	38.42	8030285	NPFC-D-R38-R12-M	10
R ¹ / ₂	R ¹ / ₂	15	33.5	14	14	22	41.1	8030286	NPFC-D-2R12-M	10
	R ³ / ₄	15	37.5	14	16.5	27	68.5	8030287	NPFC-D-R12-R34-M	10
R ³ / ₄	R ³ / ₄	19	40	16.5	16.5	27	80.14	8030288	NPFC-D-2R34-M	10
R1	R1	24	46.5	19	19	34	147.33	8030289	NPFC-D-2R1-M	10

1) Packaging unit quantity

Reducing nipple NPFC-R Internal thread/external thread



Dimensions and ordering data											
Connection		D3	D5	L1	L2	T1	$\approx C1$	Weight/piece [g]	Part no.	Type	PU ¹⁾
D1	D2	∅	∅								
M5	G ¹ / ₈	2.5	13.5	14.5	4	7.4	14	9.3	8030314	NPFC-R-G18-M5-FM	10
G ¹ / ₈	G ¹ / ₄	5.5	17	20.5	6	9.5	17	17.8	8030315	NPFC-R-G14-G18-FM	10
	G ³ / ₈	5.5	21.5	21.5	6	10.5	22	30.1	8030316	NPFC-R-G38-G18-FM	10
G ¹ / ₄	G ³ / ₈	8	21.5	23.5	8	10.5	22	32	8030317	NPFC-R-G38-G14-FM	10
G ³ / ₈	G ¹ / ₂	11	25	27.5	9	13	26	45.1	8030318	NPFC-R-G12-G38-FM	10

1) Packaging unit quantity