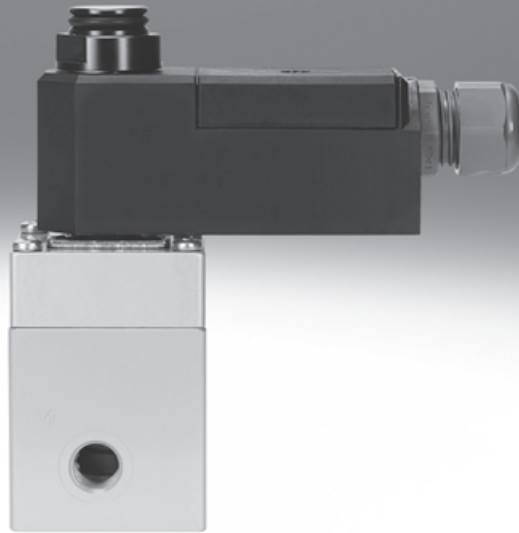


## Valve series VOFC

**FESTO**



# Solenoid valves VOFC

Features

**FESTO**

## General remarks

- The valves of series VOFC are special 3/2-way and 5/2-way valves for process automation and applications in chemical and petrochemical installations, where they are frequently used as pilot valves for butterfly valves and actuators. Their sturdy design and high resistance to corrosion make these valves suitable for outdoor use under harsh ambient conditions.
- With the flange pattern to NAMUR, the solenoid valves are particularly suitable for quarter turn actuators. The integrated spring chamber re-breather function protects quarter turn actuators with spring return (single-acting cylinders and actuators) against contaminated ambient atmospheres and weather influences such as rain.
- Approved by the German Technical Control Board (TÜV) up to SIL-3

## Function, design

- 3/2-way or 5/2-way, single or double solenoid, depending on the type
- Pilot-actuated piston spool and piston poppet valves

## Robust

- The surface of the valve housing is Ematal coated. This treatment involves converting the aluminium surface into a very hard aluminium oxide layer with titanium oxide intercalations. This treatment makes the valves extremely resistant to wear and abrasion and gives them first-class sliding qualities. This provides optimum protection against atmospheric and chemical influences. The media resistance of the product can be found under [www.festo.com](http://www.festo.com).

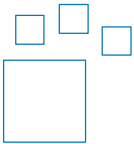
## Flexible functionality

- Changeover between internal and external pilot air via automatic OR valve
- Suitable for vacuum

## Economical

- Port pattern to NAMUR for direct mounting on the actuator and the G and NPT threaded connections in a valve housing

## Ordering data – Product options



Configurable product  
This product and all its options can be ordered using the configurator.

The configurator can be found under Products on the DVD or at [www.festo.com/catalogue/...](http://www.festo.com/catalogue/...)

Part No.	Type
3344863	VOFC-L
2868687	VOFC-LT

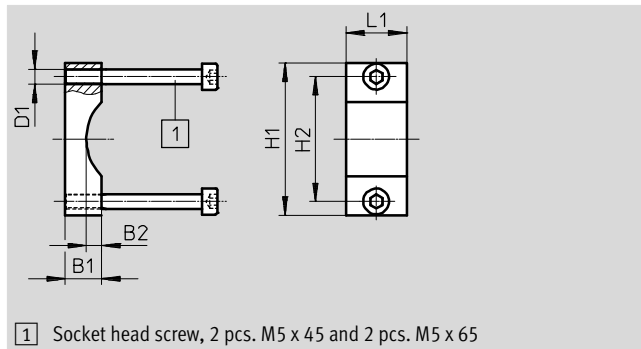
# Solenoid valves

Accessories

FESTO

## Mounting bracket

Mounting bracket material:  
Aluminium, Ematal coated  
Contains paint-wetting impairment substances, RoHS-compliant



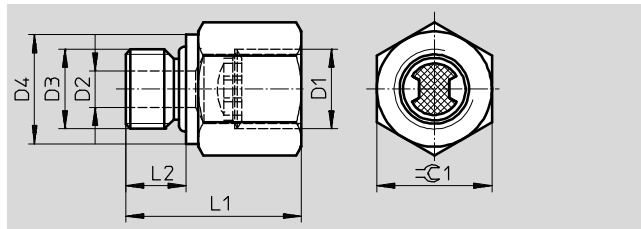
1) Socket head screw, 2 pcs. M5 x 45 and 2 pcs. M5 x 65

Dimensions [mm] and ordering data									
B1	B2	D1	H1	H2	L1	CRC <sup>1)</sup>	Part No.	Type	
12	5	M5	50	41	20	4	563403	VAME-S7-Y	

- 1) Corrosion resistance class CRC 4 to Festo standard FN 940070  
Particularly high corrosion stress. Outdoor exposure under extreme corrosive conditions. Parts exposed to aggressive media, for instance in the chemical or food industries. These applications may need to be supported by special tests (→ also FN 940082) using appropriate media.

## Adapter with filter

Adapter material: High-alloy stainless steel  
Material of seals: NBR  
Note on materials:  
Contains paint-wetting impairment substances, RoHS-compliant  
Operating pressure 2 ... 8 bar

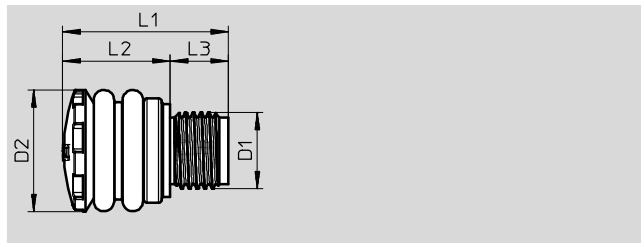


Dimensions [mm] and ordering data									
D1	D2	D3	D4	L1	L2	$\approx C1$	CRC <sup>1)</sup>	Part No.	Type
1/4 NPT	6	G1/4	18	29	10	19	1	563397	NPFV-AF-G14-N14-MF
G1/4	6	G1/4	18	29	10	19	1	563398	NPFV-AF-G14-G14-MF
1/4 NPT	6	1/4 NPT	18	29	10	19	1	4727333	NPFV-AF-N14-N14-MF

- 1) Corrosion resistance class CRC 1 to Festo standard FN 940070  
Low corrosion stress. For dry indoor applications or transport and storage protection. Also applies to parts behind covers, in the non-visible interior area, and parts which are covered in the application (e.g. drive trunnions).

## Exhaust protection G1/4

Housing material: PA  
Material of seals: EPDM  
Contains paint-wetting impairment substances, RoHS-compliant  
Operating medium: Compressed air to ISO 8573-1:2010 [7:--:--]  
Operating pressure: 0 ... 10 bar  
Ambient temperature: -50 ... +60 °C  
Type of mounting: can be screwed in, with male thread



Dimensions [mm] and ordering data									
D1	D2	L1	L2	L3	Part No.	Type			
G1/4, 1/4 NPT	21	28.5	18.5	10	563400	VABD-D3-SN-G14			