

Enclosure to the product (Original: de)
8049755
1605
[8062217]

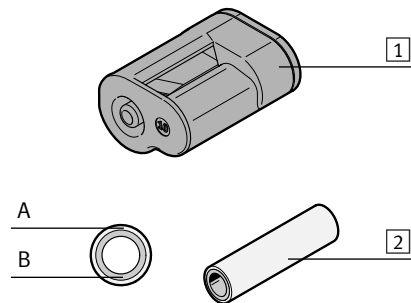
Tubing cutter PAN-V0S-...

FESTO

Festo AG & Co. KG

Postfach
73726 Esslingen
Germany
+49 711 347-0
www.festo.com

1. Parts list



1 Tubing cutter (1x)

Not in scope of delivery:

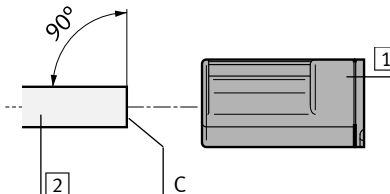
- 2 Plastic tubing PAN-V0-...
- (A) Protective casing
- (B) Compressed air tubing

2. Intended use

Tubing cutter PAN-V0S-...:

Remove the protective casing (A) from the compressed air tubing (B).

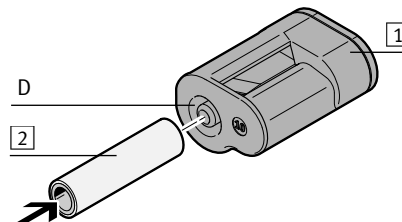
3. Preparation



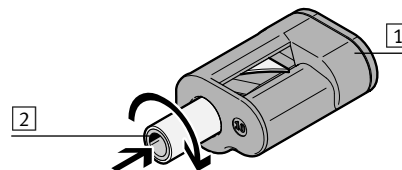
If necessary:

- Cut off edge (C) of the plastic tubing 2 at a 90° angle.

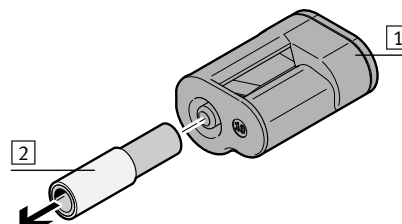
4. Remove protective casing (A)



- Push plastic tubing 2 while turning into the opening (D) of the tubing cutter 1.



- Turn plastic tubing 2 in up to the stop. If necessary, turn the tubing cutter 1 instead.



- Pull out plastic tubing 2.