

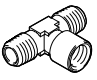
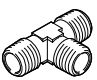

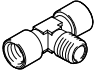
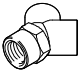

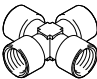
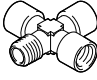
Threaded fittings NPFC

FESTO



Threaded fittings NPFC

Product range overview

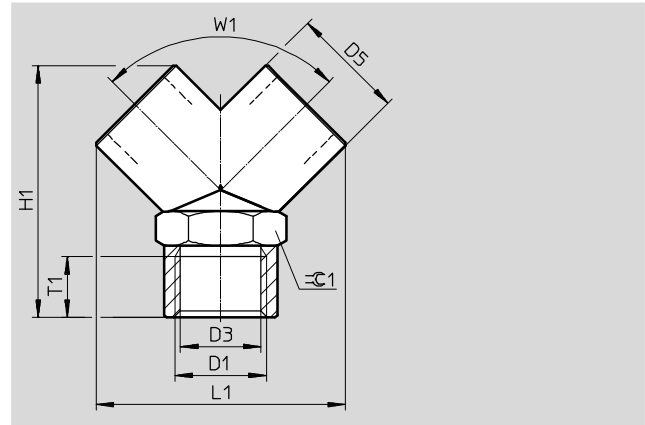
Design	Version	Type	Connection D1			Connection D2			→ Page/ Internet
			M thread	G thread	R thread	M thread	G thread	R thread	
T-shape	T-fitting – internal thread/external thread/external thread								
		NPFC-T	–	G $\frac{1}{8}$ G $\frac{1}{4}$ G $\frac{3}{8}$ G $\frac{1}{2}$	–	–	–	R $\frac{1}{8}$ R $\frac{1}{4}$ R $\frac{3}{8}$ R $\frac{1}{2}$	14
	T-fitting – external thread								
		NPFC-T	–	–	R $\frac{1}{4}$ R $\frac{3}{8}$ R $\frac{1}{2}$	–	–	–	15
T-shape	T-fitting – external thread/external thread/internal thread								
		NPFC-T	–	–	R $\frac{1}{8}$ R $\frac{1}{4}$ R $\frac{1}{2}$	–	G $\frac{1}{8}$ G $\frac{1}{4}$ G $\frac{1}{2}$	–	15
	T-fitting – external thread/internal thread/internal thread								
	NPFC-T	M5	–	–	M5	–	–	16	
Y-shape	Y-fitting – internal thread								
		NPFC-Y	–	G $\frac{1}{4}$ G $\frac{3}{8}$ G $\frac{1}{2}$	–	–	–	–	17
	Y-fitting – external thread/internal thread/internal thread								
	NPFC-Y	–	–	R $\frac{1}{8}$ R $\frac{1}{4}$ R $\frac{3}{8}$ R $\frac{1}{2}$	–	G $\frac{1}{8}$ G $\frac{1}{4}$ G $\frac{3}{8}$ G $\frac{1}{2}$	–	17	
X-shape	X-fitting – internal thread								
		NPFC-X	–	G $\frac{1}{4}$ G $\frac{3}{8}$ G $\frac{1}{2}$	–	–	–	–	18
X-fitting – external thread/internal thread/internal thread/internal thread									
	NPFC-X	–	G $\frac{1}{4}$ G $\frac{1}{2}$	–	–	–	R $\frac{1}{4}$ R $\frac{1}{2}$	18	

Threaded fittings NPFC

Technical data

Y-fitting NPFC-Y

Internal thread

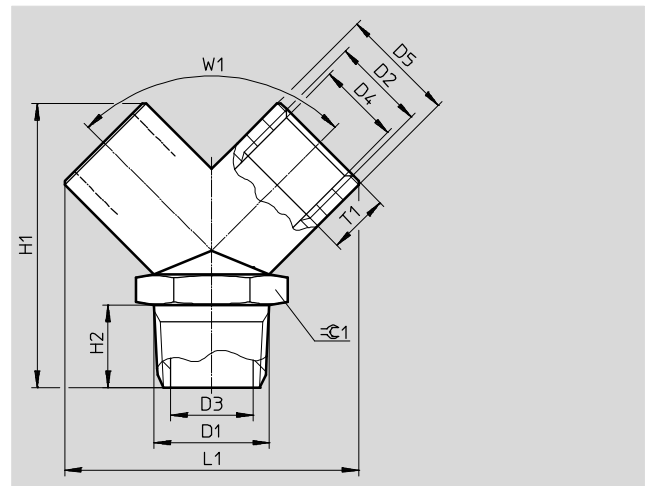


Dimensions and ordering data											
Connection	D3	D5	H1	L1	T1	W1	≈C1	Weight/piece	Part no.	Type	PU ¹⁾
D1	∅	∅						[g]			
G ¹ / ₄	11.5	17	36.8	36.8	9.5	90°	17	41.6	8030228	NPFC-Y-3G14-F	10
G ³ / ₈	15	22	46	46	10.5	90°	22	91.9	8030229	NPFC-Y-3G38-F	10
G ¹ / ₂	18.5	26	58	57.3	13	90°	26	144.6	8030230	NPFC-Y-3G12-F	10

1) Packaging unit quantity

Y-fitting NPFC-Y

External thread/internal thread/
internal thread



Dimensions and ordering data														
Connection	D3	D4	D5	H1	H2	L1	T1	W1	≈C1	Weight/piece	Part no.	Type	PU ¹⁾	
D1	D2	∅	∅	∅						[g]				
R ¹ / ₈	G ¹ / ₈	5.5	8.5	14	32.8	9	32.5	8.5	90°	14	30.7	8030231	NPFC-Y-R18-2G18-MFF	10
R ¹ / ₄	G ¹ / ₄	8	11.5	17	37	11	37	9.5	90°	17	40.8	8030232	NPFC-Y-R14-2G14-MFF	10
R ³ / ₈	G ³ / ₈	11	15	22	46	12.5	46	10.5	90°	22	86.7	8030233	NPFC-Y-R38-2G38-MFF	10
R ¹ / ₂	G ¹ / ₂	15	18.5	26	58	16.5	57.3	13	90°	26	138.5	8030234	NPFC-Y-R12-2G12-MFF	10

1) Packaging unit quantity