

Pipe and tubing cutters



Pipe and tubing cutters

Technical data

FESTO

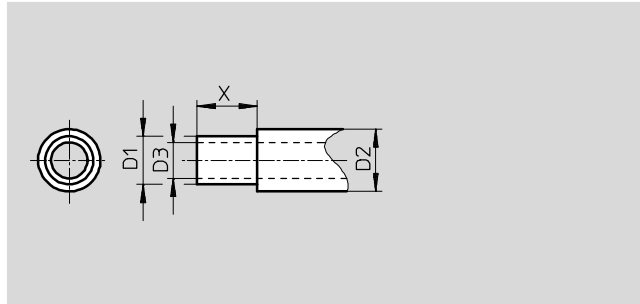
Tubing cutter PAN-VOS

for flame retardant PAN-V0 tubing

Note on materials:

RoHS-compliant

Colour: grey



Before the PAN-V0 plastic tubing is inserted into the QS-V0 push-in fitting, the tubing's PVC sheath must be

cut to length X. The integrated stop in the PAN-VOS tubing cutter ensures that the sheath

is always cut to the correct length X. The blade design prevents damage to the inner polyamide tubing.

| Dimensions and ordering data | | | | | | | |
|------------------------------|----|----|-----|--------|------------|---------------|-------------------|
| Push-in connector | D1 | D2 | D3 | X | Weight [g] | Part No. | Type |
| QS-V0 | ∅ | ∅ | ∅ | | | | |
| I.D. 4 mm | 4 | 6 | 2.5 | 14.7±1 | 20 | 133180 | PAN-VOS-4 |
| I.D. 6 mm | 6 | 8 | 4 | 15.7±1 | 20 | 133181 | PAN-VOS-6 |
| I.D. 8 mm | 8 | 10 | 6 | 16.7±1 | 21 | 133182 | PAN-VOS-8 |
| I.D. 10 mm | 10 | 12 | 7.5 | 19.2±1 | 21 | 133183 | PAN-VOS-10 |
| I.D. 12 mm | 12 | 14 | 9 | 22.7±1 | 21 | 133184 | PAN-VOS-12 |

Disconnecting pliers ZDS

with cutter, for removing plastic tubing from barbed fittings.

Note on materials:

RoHS-compliant



| Ordering data | | |
|-----------------|-------------|-----------------|
| | Part No. | Type |
| for 3 mm tubing | 9090 | ZDS-PK-3 |
| for 4 mm tubing | 9522 | ZDS-PK-4 |

Pipe and tubing cutters

Technical data

Connecting pliers ZMS-PK-3/4
with cutter, for connecting plastic tubing to barbed fittings.

Note on materials:
RoHS-compliant



| Ordering data | | |
|-------------------|----------|------------|
| | Part No. | Type |
| Connecting pliers | 9341 | ZMS-PK-3/4 |

Pipe cutter ZR

The pipe cutter ZR is used for cutting PQ-PA plastic piping with outside diameters of up to 28 mm to length. It is not suitable for tubing with metal casing.



| Ordering data | | |
|---------------|----------|------|
| | Part No. | Type |
| Pipe cutter | 194592 | ZR |

Pipe and tubing cutter ZRS

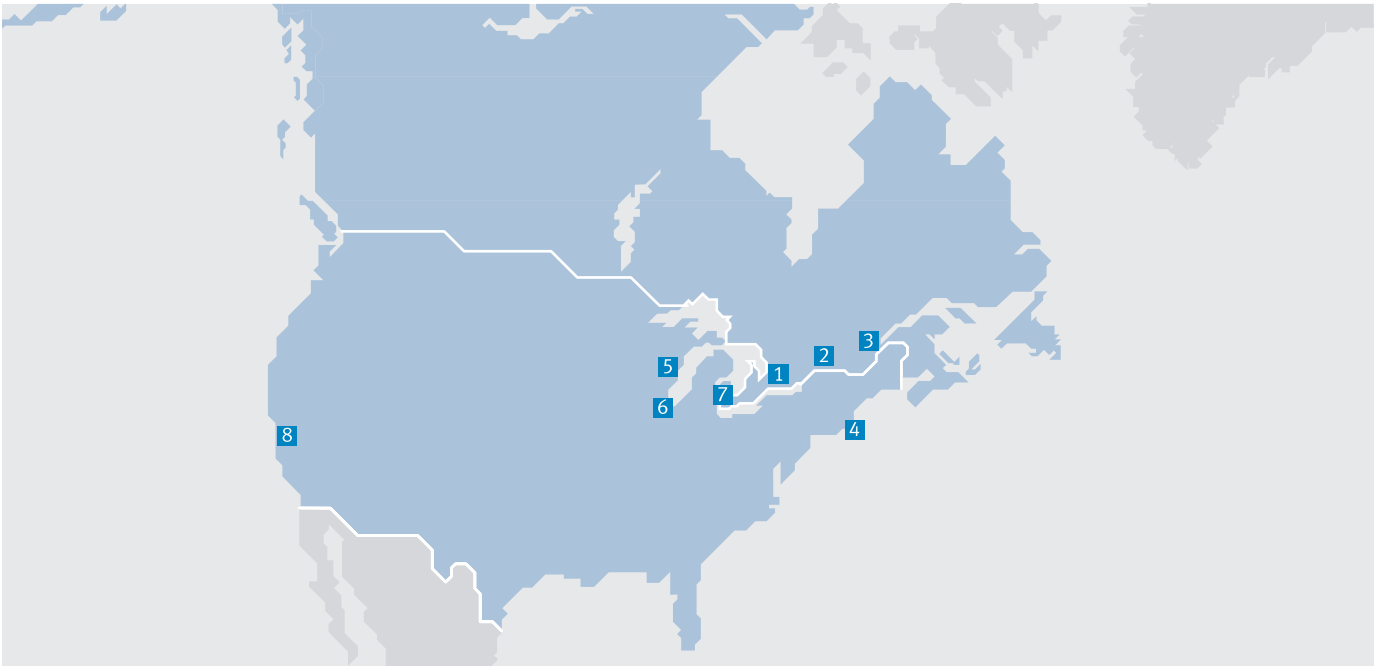
The pipe and tubing cutter ZRS is used for cutting plastic and nitrile rubber tubing with outer diameters of up to 20 mm, with or without textile insert. It is not suitable for tubing with metal casing. It also has an integrated safety catch to prevent unauthorised opening.

Note on materials:
RoHS-compliant



| Ordering data | | |
|--|----------|-------------|
| | Part No. | Type |
| Pipe and tubing cutter with 2 spare blades | 7658 | ZRS |
| 10 spare blades for pipe and tubing cutter | 218606 | ZRS 10PACK. |

Festo North America



**1 Festo Canada
Headquarters
Festo Inc.**
5300 Explorer Drive
Mississauga, ON
L4W 5G4

2 Montréal
5600, Trans-Canada
Pointe-Claire, QC
H9R 1B6

3 Québec City
2930, rue Watt#117
Québec, QC
G1X 4G3



**4 Festo United States
Headquarters
Festo Corporation**
395 Moreland Road
Hauppauge, NY
11788

5 Appleton
North 922 Tower View Drive, Suite N
Greenville, WI
54942

7 Detroit
1441 West Long Lake Road
Troy, MI
48098

6 Chicago
85 W Algonquin - Suite 340
Arlington Heights, IL
60005

8 Silicon Valley
4935 Southfront Road, Suite F
Livermore, CA
94550

Festo Regional Contact Center

Canadian Customers

Commercial Support:
Tel: 1 877 GO FESTO (1 877 463 3786)
Fax: 1 877 FX FESTO (1 877 393 3786)
Email: festo.canada@ca.festo.com

Technical Support:
Tel: 1 866 GO FESTO (1 866 463 3786)
Fax: 1 877 FX FESTO (1 877 393 3786)
Email: technical.support@ca.festo.com

USA Customers

Commercial Support:
Tel: 1 800 99 FESTO (1 800 993 3786)
Fax: 1 800 96 FESTO (1 800 963 3786)
Email: customer.service@us.festo.com

Technical Support:
Tel: 1 866 GO FESTO (1 866 463 3786)
Fax: 1 800 96 FESTO (1 800 963 3786)
Email: product.support@us.festo.com