

**Threaded fittings NPFC**




## Threaded fittings NPFC

Technical data

Operating and environmental conditions	
Operating pressure [bar]	-0.95 ... 50
Operating medium	Compressed air to ISO 8573-1:2010 [-:-:-]
	Gases on request
	Liquids on request
Ambient temperature [°C]	-20 ... +150
Corrosion resistance class CRC <sup>1)</sup>	1

1) Corrosion resistance class CRC 1 to Festo standard FN 940070  
 Low corrosion stress. For dry indoor applications or transport and storage protection. Also applies to parts behind covers, in the non-visible interior area, and parts which are covered in the application (e.g. drive trunnions).


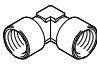
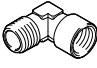
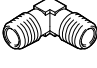
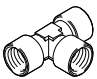
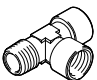
Materials	
Threaded fitting	Nickel-plated brass
Note on materials	RoHS-compliant

 - Note

<p>When using R threaded studs, we recommend sealing using thread sealing tape GWB-0,1 (part no. 9076).</p>	<p>When using M and G threaded studs, an additional axial sealing ring is required (preferably soft aluminium Al 99.5).</p>
---	---

# Threaded fittings NPFC

Product range overview

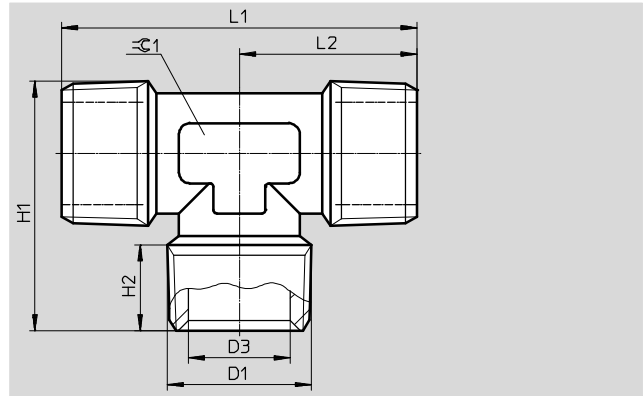
Design	Version	Type	Connection D1			Connection D2			→ Page/ Internet
			M thread	G thread	R thread	M thread	G thread	R thread	
Straight design	<b>Bulkhead fitting</b>								
		NPFC-B	M5	–	–	–	–	–	11
			–	G1/8	–	–	–	–	
			–	G1/4	–	–	–	–	
			–	G3/8	–	–	–	–	
–			G1/2	–	–	–	–		
L-shape	<b>Elbow fitting – internal thread</b>								
		NPFC-L	M5	–	–	–	–	–	12
			–	G1/8	–	–	–	–	
			–	G1/4	–	–	–	–	
			–	G3/8	–	–	–	–	
			–	G1/2	–	–	–	–	
			–	G3/4	–	–	–	–	
			–	G1	–	–	–	–	
	<b>Elbow fitting – external thread/internal thread</b>								
		NPFC-L	M5	–	–	M5	–	–	12
			–	G1/8	–	–	R1/8	–	
			–	G1/4	–	–	R1/4	–	
			–	G3/8	–	–	R3/8	–	
			–	G1/2	–	–	R1/2	–	
			–	G3/4	–	–	R3/4	–	
–			G1	–	–	R1	–		
<b>Elbow fitting – external thread</b>									
	NPFC-L	M5	–	–	–	–	–	13	
		–	–	–	R1/8	–	–		
		–	–	–	R1/4	–	–		
		–	–	–	R3/8	–	–		
		–	–	–	R1/2	–	–		
		–	–	–	R3/4	–	–		
T-shape	<b>T-fitting – internal thread</b>								
		NPFC-T	–	G1/8	–	–	–	–	13
			–	G1/4	–	–	–	–	
			–	G3/8	–	–	–	–	
			–	G1/2	–	–	–	–	
			–	G3/4	–	–	–	–	
			–	G1	–	–	–	–	
	<b>T-fitting – internal thread/external thread/internal thread</b>								
		NPFC-T	M5	–	–	M5	–	–	14
			–	G1/8	–	–	R1/8	–	
			–	G1/4	–	–	R1/4	–	
–			G3/8	–	–	R3/8	–		
–			G1/2	–	–	R1/2	–		
–			G3/4	–	–	R3/4	–		
–	G1	–	–	R1	–				

# Threaded fittings NPFC

Technical data

## T-fitting NPFC-T

External thread

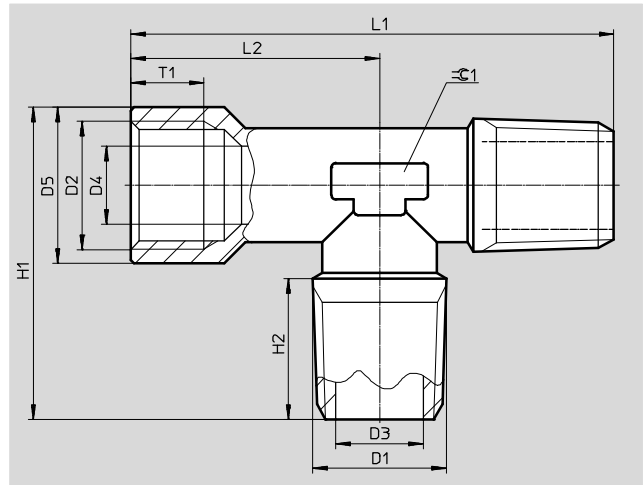


Dimensions and ordering data											
Connection	D3	H1	H2	L1	L2	$\approx C1$	Weight/piece [g]	Part no.	Type	PU <sup>1)</sup>	
D1	$\varnothing$										
R $\frac{1}{4}$	8	29.8	11	46	23	13	36.2	8030252	NPFC-T-3R14-M	10	
R $\frac{3}{8}$	11	34.1	11.5	51.5	25.5	16	54.9	8030253	NPFC-T-3R38-M	10	
R $\frac{1}{2}$	15	40.3	14	59	29.5	20	86	8030254	NPFC-T-3R12-M	10	

1) Packaging unit quantity

## T-fitting NPFC-T

External thread/external thread/  
internal thread



Dimensions and ordering data														
Connection	D2	D3	D4	D5	H1	H2	L1	L2	T1	$\approx C1$	Weight/piece [g]	Part no.	Type	PU <sup>1)</sup>
D1	$\varnothing$	$\varnothing$	$\varnothing$	$\varnothing$										
R $\frac{1}{8}$	G $\frac{1}{8}$	5.5	6	13	24	7.5	37	19.5	7.4	12	23.2	8030259	NPFC-T-2R18-G18-MMF	10
R $\frac{1}{4}$	G $\frac{1}{4}$	8	8	16.5	31.3	11	47.5	24.5	9.5	13	40.3	8030260	NPFC-T-2R14-G14-MMF	10
R $\frac{1}{2}$	G $\frac{1}{2}$	15	15	25.5	42.3	14	61.5	32	13	20	100.6	8030261	NPFC-T-2R12-G12-MMF	10

1) Packaging unit quantity