

Threaded fittings NPFC




Threaded fittings NPFC

Technical data

Operating and environmental conditions	
Operating pressure [bar]	-0.95 ... 50
Operating medium	Compressed air to ISO 8573-1:2010 [-:-:-]
	Gases on request
	Liquids on request
Ambient temperature [°C]	-20 ... +150
Corrosion resistance class CRC ¹⁾	1

1) Corrosion resistance class CRC 1 to Festo standard FN 940070
 Low corrosion stress. For dry indoor applications or transport and storage protection. Also applies to parts behind covers, in the non-visible interior area, and parts which are covered in the application (e.g. drive trunnions).

Materials	
Threaded fitting	Nickel-plated brass
Note on materials	RoHS-compliant


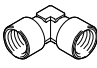
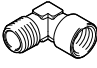
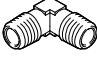
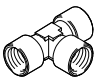
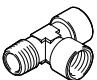
 - Note

When using R threaded studs, we recommend sealing using thread sealing tape GWB-0,1 (part no. 9076).

When using M and G threaded studs, an additional axial sealing ring is required (preferably soft aluminium Al 99.5).

Threaded fittings NPFC

Product range overview

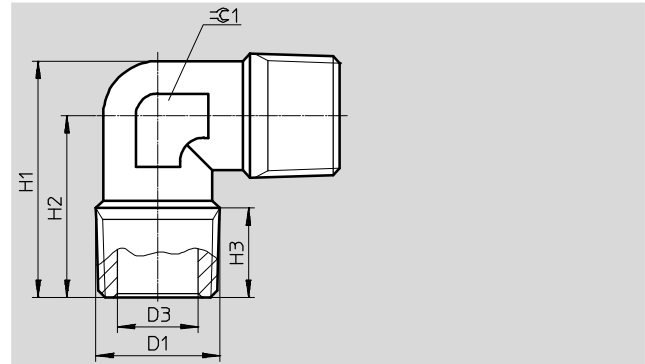
Design	Version	Type	Connection D1			Connection D2			→ Page/ Internet
			M thread	G thread	R thread	M thread	G thread	R thread	
Straight design	Bulkhead fitting								
		NPFC-B	M5	-	-	-	-	-	11
			-	G1/8	-	-	-	-	
			-	G1/4	-	-	-	-	
			-	G3/8	-	-	-	-	
-			G1/2	-	-	-	-		
L-shape	Elbow fitting – internal thread								
		NPFC-L	M5	-	-	-	-	-	12
			-	G1/8	-	-	-	-	
			-	G1/4	-	-	-	-	
			-	G3/8	-	-	-	-	
			-	G1/2	-	-	-	-	
			-	G3/4	-	-	-	-	
			-	G1	-	-	-	-	
	Elbow fitting – external thread/internal thread								
		NPFC-L	M5	-	-	M5	-	-	12
			-	G1/8	-	-	-	R1/8	
			-	G1/4	-	-	-	R1/4	
			-	G3/8	-	-	-	R3/8	
			-	G1/2	-	-	-	R1/2	
			-	G3/4	-	-	-	R3/4	
-			G1	-	-	-	R1		
Elbow fitting – external thread									
	NPFC-L	M5	-	-	-	-	-	13	
		-	-	-	-	-	R1/8		
		-	-	-	-	-	R1/4		
		-	-	-	-	-	R3/8		
		-	-	-	-	-	R1/2		
		-	-	-	-	-	R3/4		
T-shape	T-fitting – internal thread								
		NPFC-T	-	G1/8	-	-	-	-	13
			-	G1/4	-	-	-	-	
			-	G3/8	-	-	-	-	
			-	G1/2	-	-	-	-	
			-	G3/4	-	-	-	-	
			-	G1	-	-	-	-	
	T-fitting – internal thread/external thread/internal thread								
		NPFC-T	M5	-	-	M5	-	-	14
			-	G1/8	-	-	-	R1/8	
-			G1/4	-	-	-	R1/4		
-			G3/8	-	-	-	R3/8		
-			G1/2	-	-	-	R1/2		
-			G3/4	-	-	-	R3/4		
-	G1	-	-	-	R1				

Threaded fittings NPFC

Technical data

Elbow fitting NPFC-L

External thread

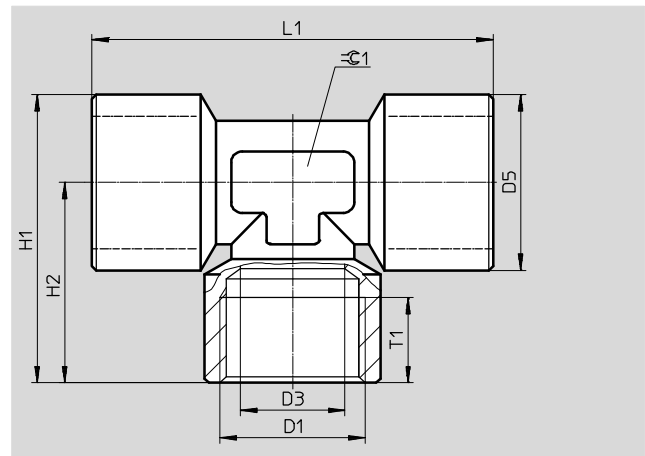


Dimensions and ordering data										
Connection	D3	H1	H2	H3	$\approx C1$	Weight/piece	Part no.	Type	PU ¹⁾	
D1	\varnothing					[g]				
M5	2.5	15.8	11.5	4	9	7.7	8030222	NPFC-L-2M5-M	10	
R $\frac{1}{8}$	5.5	23	18	7.5	11	16.1	8030223	NPFC-L-2R18-M	10	
R $\frac{1}{4}$	8	31	24	11	13	27.7	8030224	NPFC-L-2R14-M	10	
R $\frac{3}{8}$	11	34.5	27	11.5	17	43.3	8030225	NPFC-L-2R38-M	10	
R $\frac{1}{2}$	15	39.2	29.5	14	20	62	8030226	NPFC-L-2R12-M	10	
R $\frac{3}{4}$	19	44	32	13	27	102.6	8030227	NPFC-L-2R34-M	10	

1) Packaging unit quantity

T-fitting NPFC-T

Internal thread



Dimensions and ordering data											
Connection	D3	D5	H1	H2	L1	T1	$\approx C1$	Weight/piece	Part no.	Type	PU ¹⁾
D1	\varnothing	\varnothing						[g]			
G $\frac{1}{8}$	6	13	26	19.5	39	7.4	12	28.9	8030235	NPFC-T-3G18-F	10
G $\frac{1}{4}$	8	16.5	32.8	24.5	49	9.5	13	49.3	8030236	NPFC-T-3G14-F	10
G $\frac{3}{8}$	11	20.5	37.3	27	54	10.5	16	71.9	8030237	NPFC-T-3G38-F	10
G $\frac{1}{2}$	15	25.5	44.8	32	64	13	20	129.3	8030238	NPFC-T-3G12-F	10
G $\frac{3}{4}$	19	32	52.5	36.5	73	14.5	27	214.3	8030239	NPFC-T-3G34-F	10
G1	24	39	64.5	45	90	16.5	30	353	8030240	NPFC-T-3G1-F	10

1) Packaging unit quantity