

Threaded fittings NPFC




Threaded fittings NPFC

Technical data

Operating and environmental conditions	
Operating pressure [bar]	-0.95 ... 50
Operating medium	Compressed air to ISO 8573-1:2010 [-:-:-]
	Gases on request
	Liquids on request
Ambient temperature [°C]	-20 ... +150
Corrosion resistance class CRC ¹⁾	1

1) Corrosion resistance class CRC 1 to Festo standard FN 940070
 Low corrosion stress. For dry indoor applications or transport and storage protection. Also applies to parts behind covers, in the non-visible interior area, and parts which are covered in the application (e.g. drive trunnions).

Materials	
Threaded fitting	Nickel-plated brass
Note on materials	RoHS-compliant


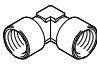
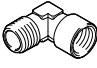
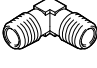
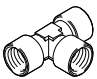
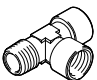
 - Note

When using R threaded studs, we recommend sealing using thread sealing tape GWB-0,1 (part no. 9076).

When using M and G threaded studs, an additional axial sealing ring is required (preferably soft aluminium Al 99.5).

Threaded fittings NPFC

Product range overview

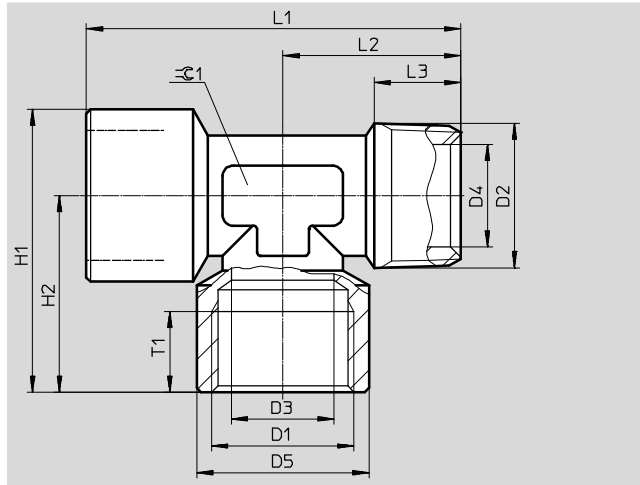
Design	Version	Type	Connection D1			Connection D2			→ Page/ Internet
			M thread	G thread	R thread	M thread	G thread	R thread	
Straight design	Bulkhead fitting								
		NPFC-B	M5	–	–	–	–	–	11
			–	G1/8	–	–	–	–	
			–	G1/4	–	–	–	–	
			–	G3/8	–	–	–	–	
–			G1/2	–	–	–	–		
L-shape	Elbow fitting – internal thread								
		NPFC-L	M5	–	–	–	–	–	12
			–	G1/8	–	–	–	–	
			–	G1/4	–	–	–	–	
			–	G3/8	–	–	–	–	
			–	G1/2	–	–	–	–	
			–	G3/4	–	–	–	–	
			–	G1	–	–	–	–	
	Elbow fitting – external thread/internal thread								
		NPFC-L	M5	–	–	M5	–	–	12
			–	G1/8	–	–	R1/8	–	
			–	G1/4	–	–	R1/4	–	
			–	G3/8	–	–	R3/8	–	
			–	G1/2	–	–	R1/2	–	
			–	G3/4	–	–	R3/4	–	
–			G1	–	–	R1	–		
Elbow fitting – external thread									
	NPFC-L	M5	–	–	–	–	–	13	
		–	–	–	R1/8	–	–		
		–	–	–	R1/4	–	–		
		–	–	–	R3/8	–	–		
		–	–	–	R1/2	–	–		
		–	–	–	R3/4	–	–		
T-shape	T-fitting – internal thread								
		NPFC-T	–	G1/8	–	–	–	–	13
			–	G1/4	–	–	–	–	
			–	G3/8	–	–	–	–	
			–	G1/2	–	–	–	–	
			–	G3/4	–	–	–	–	
			–	G1	–	–	–	–	
	T-fitting – internal thread/external thread/internal thread								
		NPFC-T	M5	–	–	M5	–	–	14
			–	G1/8	–	–	R1/8	–	
			–	G1/4	–	–	R1/4	–	
			–	G3/8	–	–	R3/8	–	
			–	G1/2	–	–	R1/2	–	
–			G3/4	–	–	R3/4	–		
–			G1	–	–	R1	–		

Threaded fittings NPFC

Technical data

T-fitting NPFC-T

Internal thread/external thread/
internal thread

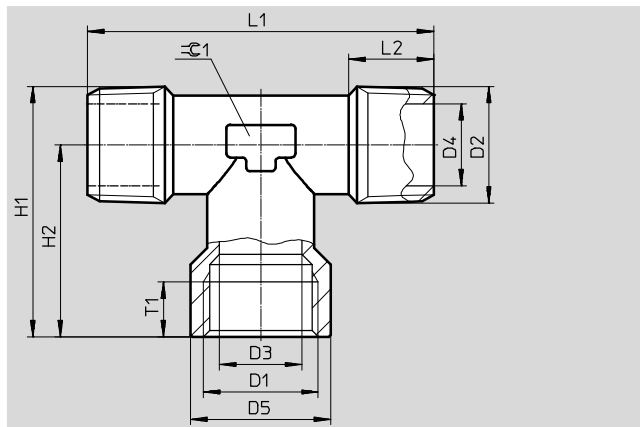


Dimensions and ordering data															
Connection		D3	D4	D5	H1	H2	L1	L2	L3	T1	≈C1	Weight/piece [g]	Part no.	Type	PU ¹⁾
D1	D2	∅	∅	∅											
M5	M5	3	2.5	8.5	15.3	12	22	11	4	5	9	10.9	8030245	NPFC-T-3M5-FMF	10
G ¹ / ₈	R ¹ / ₈	6	6	13	26	19.5	37	17.5	7.5	7.4	12	26	8030246	NPFC-T-2G18-R18-FMF	10
G ¹ / ₄	R ¹ / ₄	8	8	16.5	32.8	24.6	47.5	23	11	9.5	13	44.4	8030247	NPFC-T-2G14-R14-FMF	10
G ³ / ₈	R ³ / ₈	11	11	20.5	37.3	27.1	52.5	25.5	11.5	10.5	16	65.8	8030248	NPFC-T-2G38-R38-FMF	10
G ¹ / ₂	R ¹ / ₂	15	15	25.5	44.8	32.1	61.5	29.5	14	13	20	114.2	8030249	NPFC-T-2G12-R12-FMF	10
G ³ / ₄	R ³ / ₄	19	19	32	52.5	36.5	68.5	32	14	14.5	27	186	8030250	NPFC-T-2G34-R34-FMF	10
G1	R1	24	24	39	64.5	45	84	39	16	16.5	30	296	8030251	NPFC-T-2G1-R1-FMF	10

1) Packaging unit quantity

T-fitting NPFC-T

Internal thread/external thread/
external thread



Dimensions and ordering data															
Connection		D3	D4	D5	H1	H2	L1	L2	T1	≈C1	Weight/piece [g]	Part no.	Type	PU ¹⁾	
D1	D2	∅	∅	∅											
G ¹ / ₈	R ¹ / ₈	6	5.5	13	24.5	19.5	35	7.5	7.4	12	23.1	8030255	NPFC-T-G18-2R18-FMM	10	
G ¹ / ₄	R ¹ / ₄	8	8	16.5	31	24.5	46	11	9.5	13	40.3	8030256	NPFC-T-G14-2R14-FMM	10	
G ³ / ₈	R ³ / ₈	11	11	20.5	35.5	27	51.5	11.5	10.5	16	60.8	8030257	NPFC-T-G38-2R38-FMM	10	
G ¹ / ₂	R ¹ / ₂	15	15	25.5	42.8	32	59	14	13	20	100.7	8030258	NPFC-T-G12-2R12-FMM	10	

1) Packaging unit quantity