

**Threaded fittings NPFC**




# Threaded fittings NPFC

Technical data

Operating and environmental conditions	
Operating pressure [bar]	-0.95 ... 50
Operating medium	Compressed air to ISO 8573-1:2010 [-:-:-]
	Gases on request
	Liquids on request
Ambient temperature [°C]	-20 ... +150
Corrosion resistance class CRC <sup>1)</sup>	1

1) Corrosion resistance class CRC 1 to Festo standard FN 940070  
 Low corrosion stress. For dry indoor applications or transport and storage protection. Also applies to parts behind covers, in the non-visible interior area, and parts which are covered in the application (e.g. drive trunnions).


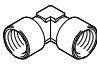
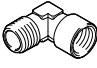
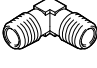
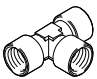
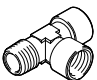
Materials	
Threaded fitting	Nickel-plated brass
Note on materials	RoHS-compliant

 - Note

<p>When using R threaded studs, we recommend sealing using thread sealing tape GWB-0,1 (part no. 9076).</p>	<p>When using M and G threaded studs, an additional axial sealing ring is required (preferably soft aluminium Al 99.5).</p>
---	---

# Threaded fittings NPFC

Product range overview

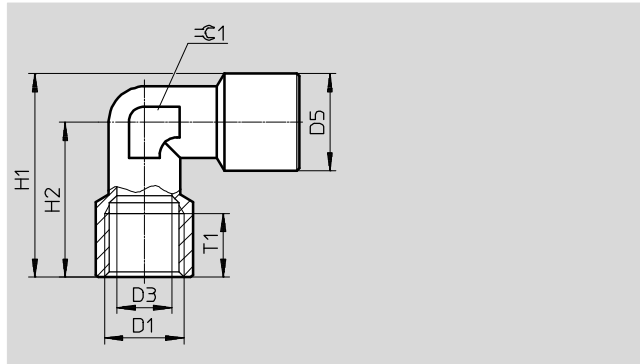
Design	Version	Type	Connection D1			Connection D2			→ Page/ Internet
			M thread	G thread	R thread	M thread	G thread	R thread	
Straight design	<b>Bulkhead fitting</b>								
		NPFC-B	M5	–	–	–	–	–	11
			–	G1/8	–	–	–	–	
			–	G1/4	–	–	–	–	
			–	G3/8	–	–	–	–	
–			G1/2	–	–	–	–		
L-shape	<b>Elbow fitting – internal thread</b>								
		NPFC-L	M5	–	–	–	–	–	12
			–	G1/8	–	–	–	–	
			–	G1/4	–	–	–	–	
			–	G3/8	–	–	–	–	
			–	G1/2	–	–	–	–	
			–	G3/4	–	–	–	–	
			–	G1	–	–	–	–	
	<b>Elbow fitting – external thread/internal thread</b>								
		NPFC-L	M5	–	–	M5	–	–	12
			–	G1/8	–	–	R1/8	–	
			–	G1/4	–	–	R1/4	–	
			–	G3/8	–	–	R3/8	–	
			–	G1/2	–	–	R1/2	–	
			–	G3/4	–	–	R3/4	–	
–			G1	–	–	R1	–		
<b>Elbow fitting – external thread</b>									
	NPFC-L	M5	–	–	–	–	–	13	
		–	–	–	R1/8	–	–		
		–	–	–	R1/4	–	–		
		–	–	–	R3/8	–	–		
		–	–	–	R1/2	–	–		
		–	–	–	R3/4	–	–		
T-shape	<b>T-fitting – internal thread</b>								
		NPFC-T	–	G1/8	–	–	–	–	13
			–	G1/4	–	–	–	–	
			–	G3/8	–	–	–	–	
			–	G1/2	–	–	–	–	
			–	G3/4	–	–	–	–	
			–	G1	–	–	–	–	
	<b>T-fitting – internal thread/external thread/internal thread</b>								
		NPFC-T	M5	–	–	M5	–	–	14
			–	G1/8	–	–	R1/8	–	
			–	G1/4	–	–	R1/4	–	
–			G3/8	–	–	R3/8	–		
–			G1/2	–	–	R1/2	–		
–			G3/4	–	–	R3/4	–		
–	G1	–	–	R1	–				

# Threaded fittings NPFC

Technical data

## Elbow fitting NPFC-L

Internal thread

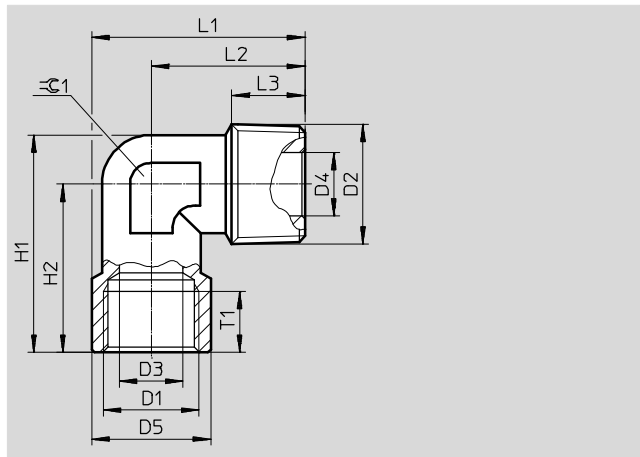


Dimensions and ordering data										
Connection	D3	D5	H1	H2	T1	$\approx C1$	Weight/piece	Part no.	Type	PU <sup>1)</sup>
D1	$\varnothing$	$\varnothing$					[g]			
M5	4.2	8.5	15.3	11	4	9	8.8	<b>8030208</b>	<b>NPFC-L-2M5-F</b>	<b>10</b>
G $\frac{1}{8}$	6	13	27.5	21	7.4	11	22.5	<b>8030209</b>	<b>NPFC-L-2G18-F</b>	<b>10</b>
G $\frac{1}{4}$	8	16.5	33.8	25.5	9.5	13	36.2	<b>8030210</b>	<b>NPFC-L-2G14-F</b>	<b>10</b>
G $\frac{3}{8}$	11	20.5	38.3	28	10.5	17	54.1	<b>8030211</b>	<b>NPFC-L-2G38-F</b>	<b>10</b>
G $\frac{1}{2}$	15	25.5	44.8	32	13	20	91.5	<b>8030212</b>	<b>NPFC-L-2G12-F</b>	<b>10</b>
G $\frac{3}{4}$	19	32	52.5	36.5	14.5	27	161	<b>8030213</b>	<b>NPFC-L-2G34-F</b>	<b>10</b>
G1	24	39	64.5	45	16.5	30	238	<b>8030214</b>	<b>NPFC-L-2G1-F</b>	<b>10</b>

1) Packaging unit quantity

## Elbow fitting NPFC-L

External thread/internal thread



Dimensions and ordering data															
Connection	D3	D4	D5	H1	H2	L1	L2	L3	T1	$\approx C1$	Weight/piece	Part no.	Type	PU <sup>1)</sup>	
D1	D2	$\varnothing$	$\varnothing$	$\varnothing$							[g]				
M5	M5	3	2.5	8.5	15.8	11.5	15.8	11.5	4	5	9	8.5	<b>8030215</b>	<b>NPFC-L-2M5-MF</b>	<b>10</b>
G $\frac{1}{8}$	R $\frac{1}{8}$	6	5.5	13	26	19	24.5	18	7.5	7.4	11	19.8	<b>8030216</b>	<b>NPFC-L-R18-G18-MF</b>	<b>10</b>
G $\frac{1}{4}$	R $\frac{1}{4}$	8	8	16.5	31.5	25.5	32.3	24	11	9.5	13	32.3	<b>8030217</b>	<b>NPFC-L-R14-G14-MF</b>	<b>10</b>
G $\frac{3}{8}$	R $\frac{3}{8}$	11	11	20.5	35.5	28	37.3	27	11.5	10.5	17	48.7	<b>8030218</b>	<b>NPFC-L-R38-G38-MF</b>	<b>10</b>
G $\frac{1}{2}$	R $\frac{1}{2}$	15	15	25.5	41.7	32	42.3	29.5	14	13	20	77.8	<b>8030219</b>	<b>NPFC-L-R12-G12-MF</b>	<b>10</b>
G $\frac{3}{4}$	R $\frac{3}{4}$	20	20	32	48.5	36.5	48	32	14.7	14.5	27	131.7	<b>8030220</b>	<b>NPFC-L-R34-G34-MF</b>	<b>10</b>
G1	R1	24	24	39	59.5	45	58.5	39	15.7	16.5	30	197.4	<b>8030221</b>	<b>NPFC-L-R1-G1-MF</b>	<b>10</b>

1) Packaging unit quantity